

Datasheet

ENGLISH

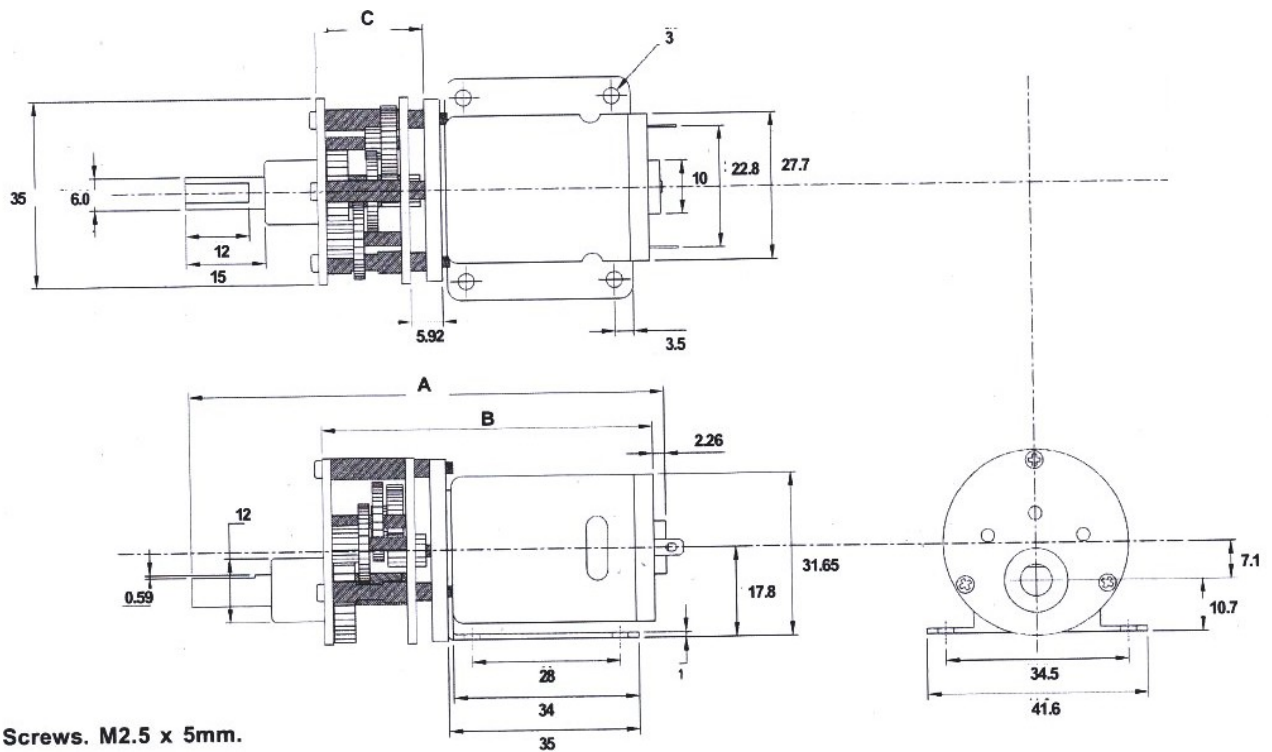
RS PRO, 12 V dc, 6000 gcm, Brushed DC Geared Motor, Output Speed 79 rpm

Stock No: 454-0849



Specifications:

| | |
|-----------------------|-----------|
| Output Speed | 79 rpm |
| Supply Voltage | 12 V dc |
| Maximum Output Torque | 6000 g.cm |
| DC Motor Type | Brushed |
| Shaft Diameter | 6mm |
| Power Rating | 7.98 W |
| Gearhead Type | Spur |
| Length | 65.2mm |
| Width | 35mm |
| Current Rating | 990 mA |
| Weight | 163g |



Screws. M2.5 x 5mm.

| Ratio | A | B | C |
|-------|--------|--------|--------|
| 148:1 | 92.2mm | 65.2mm | 23.4mm |

| | |
|--------------------------------|-----------------|
| Gearbox Housing material | Metal |
| Backlash at no-load | < 2° |
| Bearing at output | Sleeve bearings |
| Radial load (10mm from flange) | < 1 kgf |
| Shaft axial load | < 0.7 kgf |
| Shaft press fit force max | < 20 kgf |
| Radial play of shaft | < 0.05mm |
| Thrust play of shaft | < 0.35mm |

| Reduction Ratio | Rated tolerance Torque | Max momentary Tolerance Torque | Efficiency |
|-----------------|------------------------|--------------------------------|------------|
| 1/150 | 6 kgf-cm Max. | 18 kgf-cm | 59% |

| Reduction Table RPM SUPPLY VOLTAGE | 4.5v | 6v | 9v | 12v | 15v |
|---------------------------------------|------|----|----|-----|-----|
| 454-0849 | 30 | 40 | 59 | 79 | 99 |

Note: Motor speeds may vary by (+) or (-) 12.5%

