



## Datasheet

### RS PRO Hermetically Sealed Enclosures

Stock number: 1862251

EN



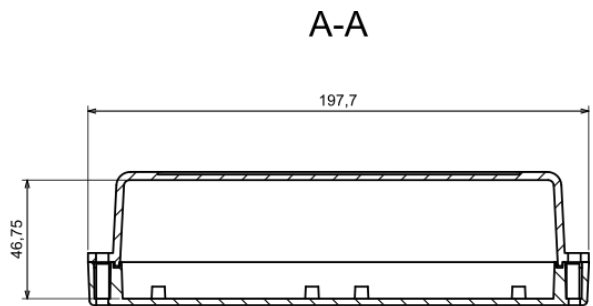
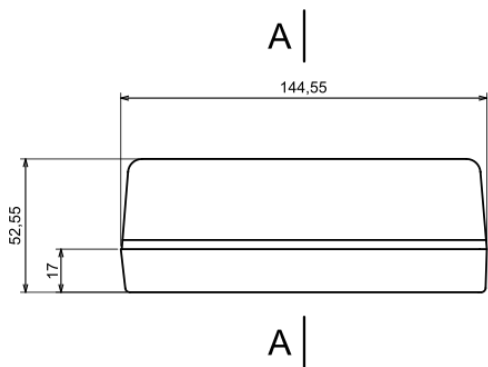
### Product Details

Hermetic enclosure ideal for applications requiring protection against water ingress. Supplied with silicon gasket that provides IP65 rating. Lid manufactured with recess for membrane keypads and overlays.

### Features and Benefits

- Made of ABS
- Available in light gray color
- Protection against liquids and solid objects: IP65 rating
- Protection against mechanical impacts: IK07 rating
- Supplied with silicon gasket and four screws
- Lid with recess for keypads and overlays

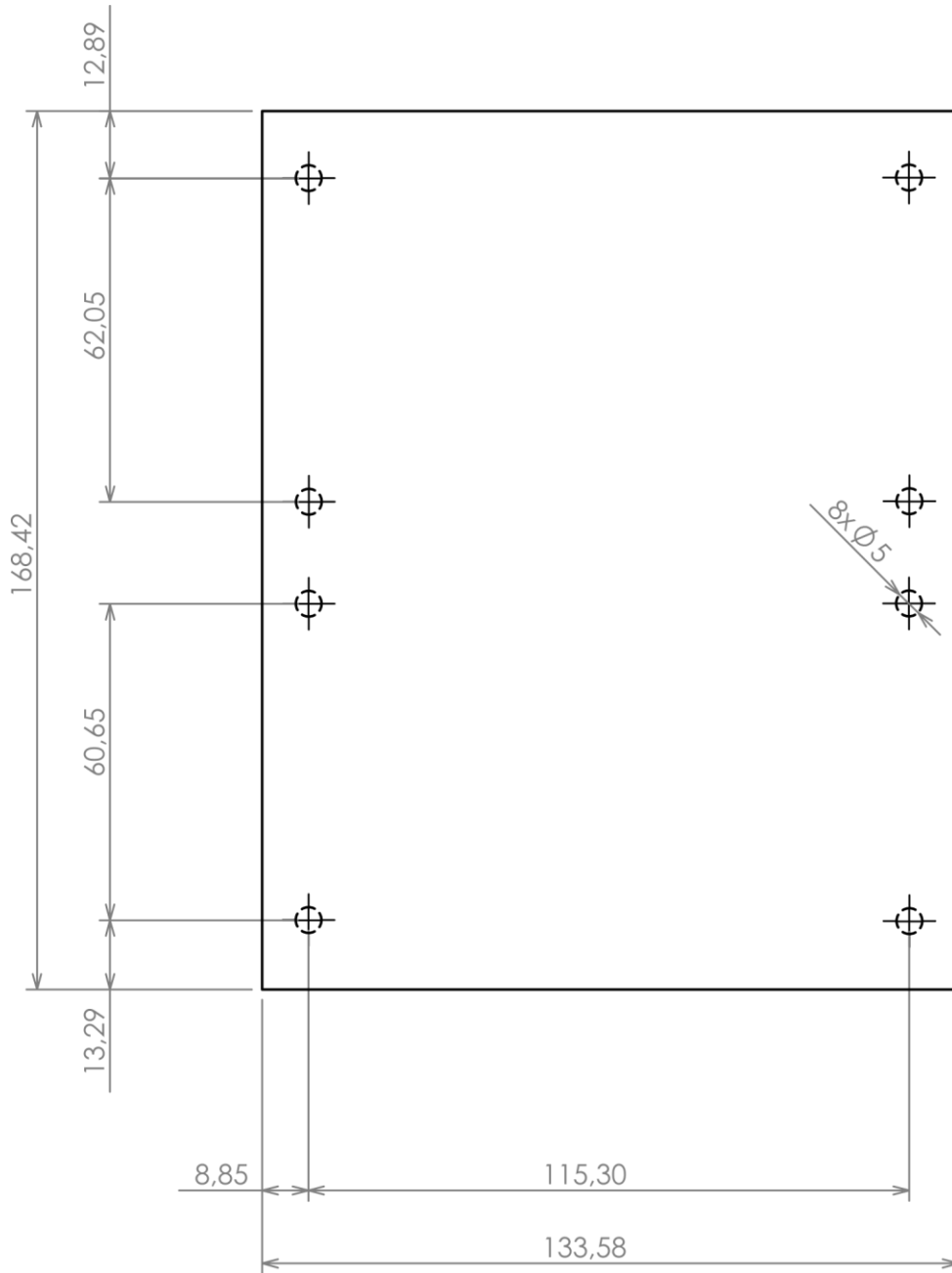
[rspro.com](http://rspro.com)



Category	Hermetically sealed Enclosures
Type	Full
Material	ABS
Variant	Hermetic (with silicon gasket) <b>(H)</b>
Height	52.6 mm
Width	144.6 mm
Length	197.8 mm
Color	Lightgray <b>(J)</b>
Protection level	IP65
Shock protection level	IK07
Standard Met	RoHS Compliant
Accessories	Screw 3/16: 4.0 pcs
Certificate number	CE/032/18



# Max PCB size



Dashed line shows outline of the mounting boss under PCB board  
Recommended mounting holes diameter ø3,5mm