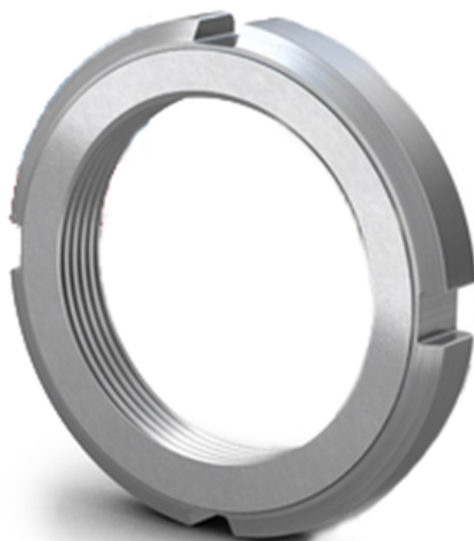


Datasheet

RS PRO Lock Nut M25x1.5mm

Stock No: 196-4168



Technical Specifications:

Id (mm)	25
Od (mm)	38
Width (mm)	7
Material	Steel

Features & Benefits:

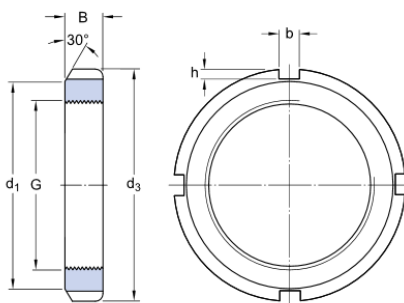
Locknuts are used to locate bearings on to a shaft. Additionally, they can be used to mount bearings with a tapered bore onto a tapered shaft seats and adapter sleeves, and to dismount bearings from withdrawal sleeves.

Lock Nuts with integral locking reduce the cost of the shaft as no keyway is required.

Installation is quicker and easier because no separate device is necessary.

Dimensional line drawings

Dimensions



G	M 30x1.5	
d ₃	45	mm
B	7	mm
d ₁	38	mm
b	5	mm
h	2	mm

Calculation data

Axial static load carrying capacity 36.5 kN

Mass

Mass lock nut 0.039 kg