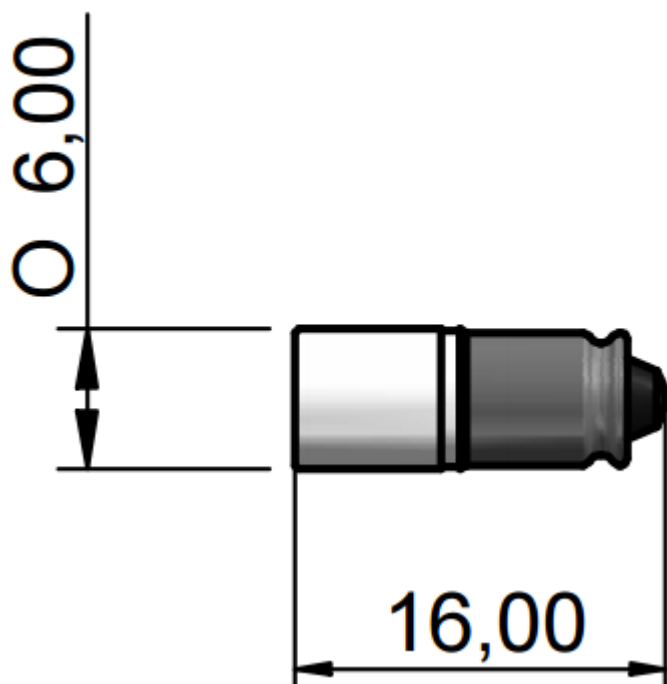


# Datasheet

## LED Indicator Lamp

RS ITEM NO 225-981



LED/Multifiled	<i>LED</i>	Optimum voltage (V)	<i>24Vac/dc</i>	Intensity	<i>1500mcd</i>
Mounting Size	<i>T1 ¼ Midget Groove</i>	Rectifier			
Mounting Finish		AC current	<i>6mA</i>		
Protection		DC current	<i>15mA</i>		
Mount Holder	<i>T1 ¼ Midget Groove</i>	Voltage Tolerance(%)	<i>10%</i>		
Chip Qty	<i>1</i>	Optimum temperature (°C)	<i>-30°C...+60°C</i>		
Indicator colour	<i>White</i>	Storage temperature (°C)	<i>-30°C...+60°C</i>		
Wavelength (nm)		Contact Tab x 2	<i>Midget Groove Base Cap</i>		



*Dimension in mm (typical), not to scale.  
We reserve the right to make changes without further notice to this product to improve reliability, function or design.*