
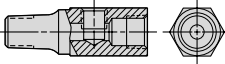

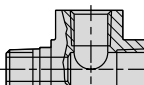
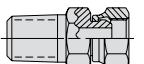
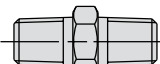
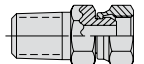



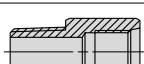

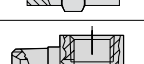


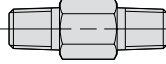

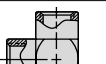
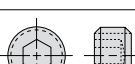

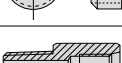
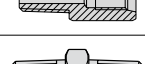
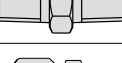
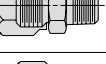
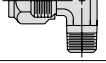

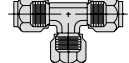
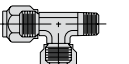
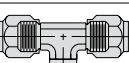
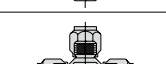



	Order No.	Description
	9190	Hydraulic tubing. 3/8" O.D. x .065" wall, 50 ft. (10 pieces 5 feet long.) Wt. 12.0 lbs.
	9670	Tee adapter. For installing gauge between pump and hose coupling. Has 1/4" and 3/8" NPTF female and 3/8" NPTF male ports. Wt. 0.5 lb.
	9671	Double tee adapter. Permits use of more than one cylinder in series with one pump. Three 3/8" NPTF female ports. Wt. 1.0 lb.
	9672	Service tee. Two 3/8" NPTF female internal, one 3/8" NPTF male external. Wt. 0.6 lb.
	9673*	Swivel connector. 3/8" NPSM male, 1/4" NPSM female. Wt. 0.2 lb.
	9674	Male connector. 1-11/16" long, 1/4" x 3/8" NPTF. Wt. 0.2 lb.
	9675*	Swivel connector. 3/8" NPTF male, 3/8" NPSM female. Wt. 0.2 lb.
	9676*	Swivel connector. 1/4" NPTF male, 3/8" NPSM female. Wt. 0.2 lb.
	9677*	45° swivel connector. 3/8" NPTF male, 3/8" NPSM female. Wt. 0.3 lb.
	9678	45° fitting. Used when mounting gauge at an angle on connection such as 9670. Male and female 1/4" NPTF ends. Wt. 0.3 lb.
	9679	Connector. 1/4" NPTF female and 3/8" NPTF male. Wt. 0.1 lb.
	9680	Coupling. Both ends 3/8" NPTF female. Wt. 0.2 lb.
	9681	Street elbow. Male and female 3/8" NPTF ends. Wt. 0.3 lb.
	9682	Male connector. 1-11/16" long, 3/8" NPTF male ends. Wt. 0.1 lb.
	9683	Male connector. 2-1/4" long, 3/8" NPTF male ends. Wt. 0.2 lb.

	Order No.	Description
	9684	Male connector. 2-1/4" long, 1/4" NPTF male ends. Wt. 0.2 lb.
	9685	Coupling. 1/4" NPTF female and 3/8" NPTF female. Wt. 0.2 lb.
	9686	90° elbow. 3/8" NPTF female ends. Wt. 0.4 lb.
	9687	Pipe plug. Heat-treated, 3/8" NPTF. Wt. 0.1 lb.
	9688	Pipe plug. Heat-treated, 1/4" NPTF. Wt. 0.1 lb.
	9689	Connector. 1/4" NPTF male and 3/8" NPTF female. Wt. 0.2 lb.
	9690	Male connector. 1-11/16" long, 1/4" NPTF male ends. Wt. 0.1 lb.
	9692	Straight connector. 3/8" tube x 3/8" male NPTF. Wt. 0.2 lb.
	9693	90° elbow. 3/8" tube x 3/8" male NPTF. Wt. 0.2 lb.
	9694	45° elbow. 3/8" tube x 1/4" male NPTF. Wt. 0.2 lb.
	9695	Tee. 3/8" tube. Wt. 0.3 lb.
	9696	Male run tee. 3/8" tube x 1/4" male NPTF. Wt. 0.3 lb.
	9697	Male branch tee. 3/8" tube x 1/4" male NPTF. Wt. 0.3 lb.
	9698	Cross. 3/8" tube. Wt. 0.4 lb.
	9699	45° gauge fitting. 3/8" NPTF male and female, and 1/4" NPTF female at 45°. Wt. 0.6 lb.
	9705	Fitting, swivel. 3/8" NPTF male to 3/8" NPTF female. 90° fitting with internal 370 micron screen. May be rotated 360° about male thread axis.

* **CAUTION:** On part numbers 9673, 9675, 9676 and 9677 the female swivel end of these adapters is a straight pipe thread (NPSM) with a 30° seat. All male pipe fittings that are used with these female swivel adapters must have an internal 30° seat in order to effect a proper seal. All Power Team male fittings are manufactured with a 30° seat except 9687 and 9688.

NOTE: Power Team hydraulic fittings are intended for use with our high pressure hydraulic products and are suitable for use at max. working pressures of 10,000 psi unless otherwise noted.