

Datasheet

RS Pro Chrome Plated Brass Line Mounting Hydraulic Ball Valve G 1/4

RS Stock No: 486-277



Product Details:

S.35 Brass Line Mounting Mini Ball Valve

Application : air, water, industry

Operating Temperature : -20° C (-4° F) / +90° C (+200° F)

Operating pressure : PN30; non-shock cold working pressure

Threads : ISO228 parallel threads

Port : Mini

Connections options : FxF, MxF, BSPT, NPT

Stem Configuration : with FPM O-ring at the stem for maximum safety

Ball seats : Pure PTFE self-lubricating, with flexible-lip design

Body : Chrome plated brass

100% Made in Italy

Chrome plated brass ball for longer life

Silicone-free lubricant on all seals

Travel stops on body to avoid stress at stem

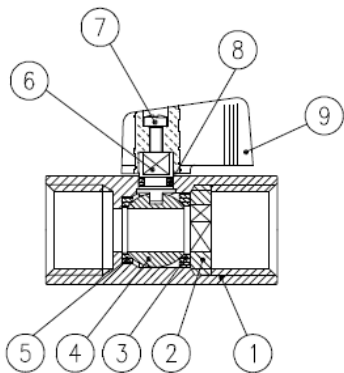
24h 100% seal test guaranteed

Dual sealing system allows valve to be operated in either direction making installation easier

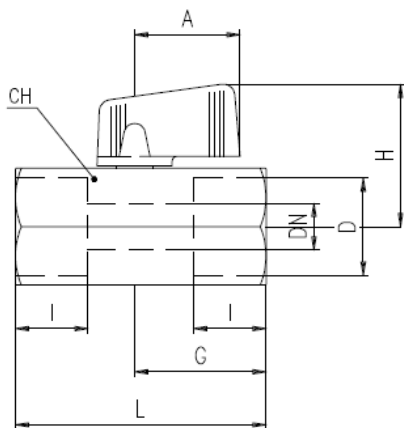
No metal-to-metal moving parts

No maintenance ever required

Handle clearly shows ball position



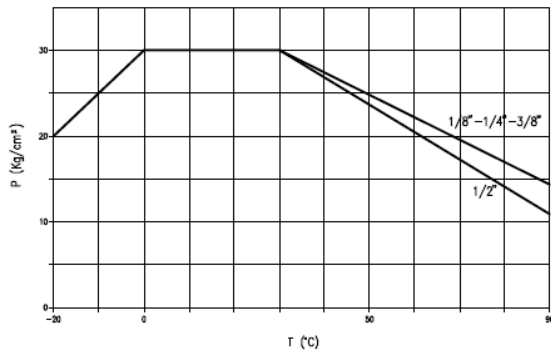
PART DESCRIPTION		Q.ty	Material
1	Chrome plated body	1	CW617N
2	Retainer nut	1	CW617N
3	Retainer seat	1	Ptfe
4	Chrome plated ball	1	CW617N
5	Body seat	1	Ptfe
6	Unplated stem	1	CW617N
7	Zinc plated screw	1	CB4FF
8	O-Ring	1	FPM
9	Black handle	1	Nylon glass filled 30%



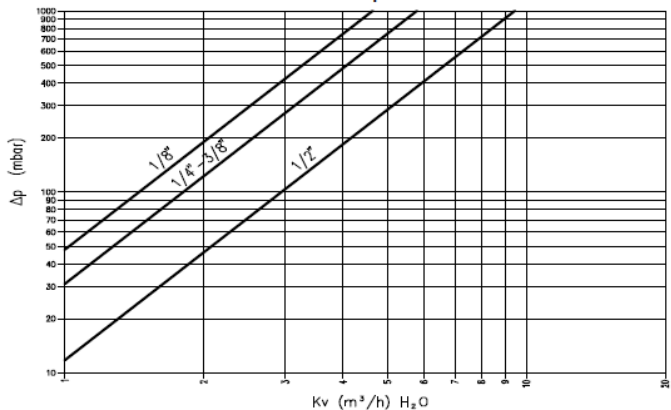
PATENTED

Code	S35AF0	S35BF0	S35CF0	S35DF0
D (inch)	1/8	1/4	3/8	1/2
DN(mm)	6	8	8	10
I (mm)	10	11	11	13
L (mm)	41.5	41.5	41.5	49
G (mm)	22	22	22	26
A (mm)	22.5	22.5	22.5	22.5
H (mm)	31	31	31	33
CH(mm)	21	21	21	25

Pressure -Temperature chart



Pressure drop chart



Code	S35AM0	S35BM0	S35CM0	S35DM0
D (inch)	1/8	1/4	3/8	1/2
DN (mm)	5	8	8	10
I (mm)	10	11	11	13
L (mm)	41.5	41.5	41.5	49
G (mm)	22	22	22	26
A (mm)	22.5	22.5	22.5	22.5
H (mm)	31	31	31	33
CH (mm)	21	21	21	25