

Datasheet

## RS Pro 14.2mm Plain Stainless Steel Flanged Hex Nut, M6, A2

RS Stock No: **725-9669**



### Product Details

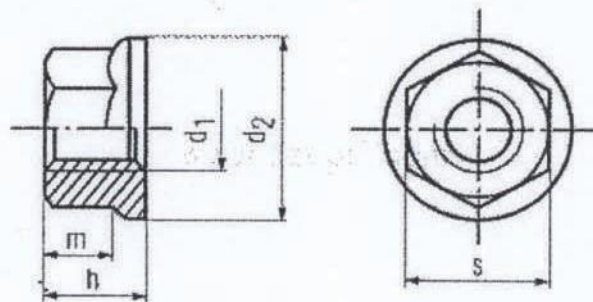
RS Pro flange hexagonal nut made of A2 grade stainless steel offers corrosion resistance. The nut has a flange diameter of 14.2 mm. It features M6 metric threading to couple with threaded rod. The nut meets all the requirements of DIN6923 standards.

### Features and Benefits

- Made of A2 grade stainless steel
- M6 metric threading
- Plain faced flange
- Meet the requirements of DIN6923 standards

**Specifications:**

Finish	Plain
Flange Diameter	14.2 mm
Material	Stainless Steel
Overall Height	6 mm
Stainless Steel Type	A2
Thread Size	M6
Specification	DIN 6923
Type	Serrated
Width Across Flats	10 mm



\*All measurements in millimeters (mm)\*

d <sub>1</sub>	d <sub>2</sub>	s	h
M3	8	5.5	3.7
M4	10	7	4.5
M5	11.8	8	5
M6	14.2	10	6
M8	17.9	13	8
M10	21.8	15	10
M12	26	18	12
M14	29.9	21	14
M16	34.5	24	16
M20	42.8	30	20

\*All information is strictly informative

MATERIAL: STAINLESS STEEL GRADE A2