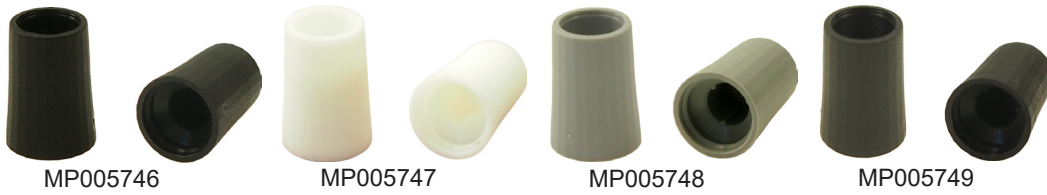


Skirtless Knobs And Caps multicomp^{PRO}

RoHS
Compliant

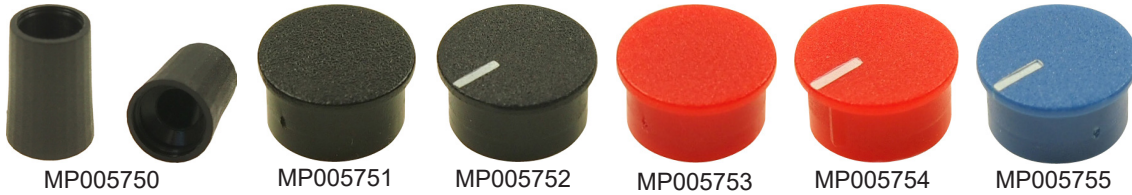


MP005746

MP005747

MP005748

MP005749



MP005750

MP005751

MP005752

MP005753

MP005754

MP005755

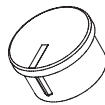


MP005756

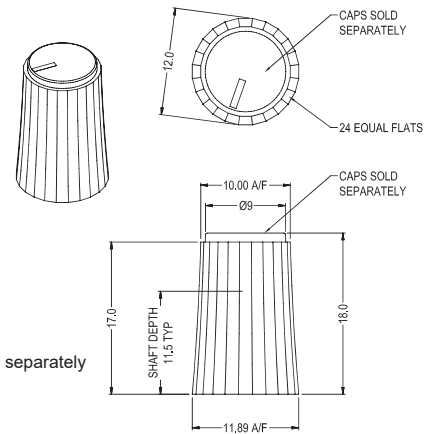
MP005757

MP005758

Note: Standard D Shaft - 5mm across D
USA D Shaft - 4.5mm across D

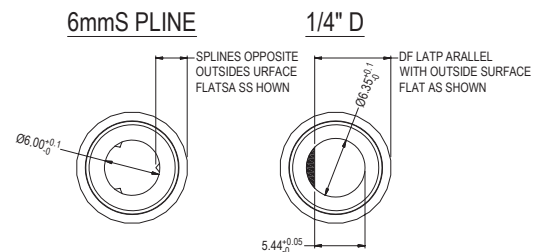
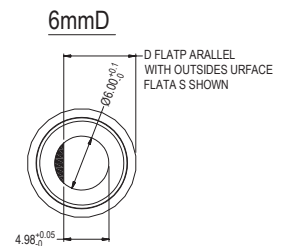


Knobs and caps are sold separately



Cap Details

Cap Colour	Without Marker Line	With Marker Line	Marker Line Colour
Black	MP005751	MP005752	White
Grey	MP005757	MP005758	
Red	MP005753	MP005754	
Blue	MP005756	MP005755	



Dimensions : Millimetres (Inches)

Newark.com/multicomp-pro
Farnell.com/multicomp-pro
Element14.com/multicomp-pro

Dimensions : Millimetres
Page <1>

multicomp^{PRO}

04/01/21 V1.2

Part Number Table

Description	Part Number
Knob, 1/4" D, Black	MP005746
Knob, 1/4" D, White	MP005747
Knob, 6mm SPLINE, Grey	MP005748
Knob, 6mm SPLINE, Black	MP005749
Knob, 6mm D, Black	MP005750
Cap, Black, Plain	MP005751
Cap, Black, White Marker Line	MP005752
Cap, Red, Plain	MP005753
Cap, Red, White Marker Line	MP005754
Cap, Blue, White Marker Line	MP005755
Cap, Blue, Plain	MP005756
Cap, Grey, Plain	MP005757
Cap, Grey, White Marker Line	MP005758

Important Notice : This data sheet and its contents (the "Information") belong to the members of the AVNET group of companies (the "Group") or are licensed to it. No licence is granted for the use of it other than for information purposes in connection with the products to which it relates. No licence of any intellectual property rights is granted. The Information is subject to change without notice and replaces all data sheets previously supplied. The Information supplied is believed to be accurate but the Group assumes no responsibility for its accuracy or completeness, any error in or omission from it or for any use made of it. Users of this data sheet should check for themselves the Information and the suitability of the products for their purpose and not make any assumptions based on information included or omitted. Liability for loss or damage resulting from any reliance on the Information or use of it (including liability resulting from negligence or where the Group was aware of the possibility of such loss or damage arising) is excluded. This will not operate to limit or restrict the Group's liability for death or personal injury resulting from its negligence. Multicomp Pro is the registered trademark of Premier Farnell Limited 2019.