

DATA SHEET

RS ESSENTIALS SPEAKER

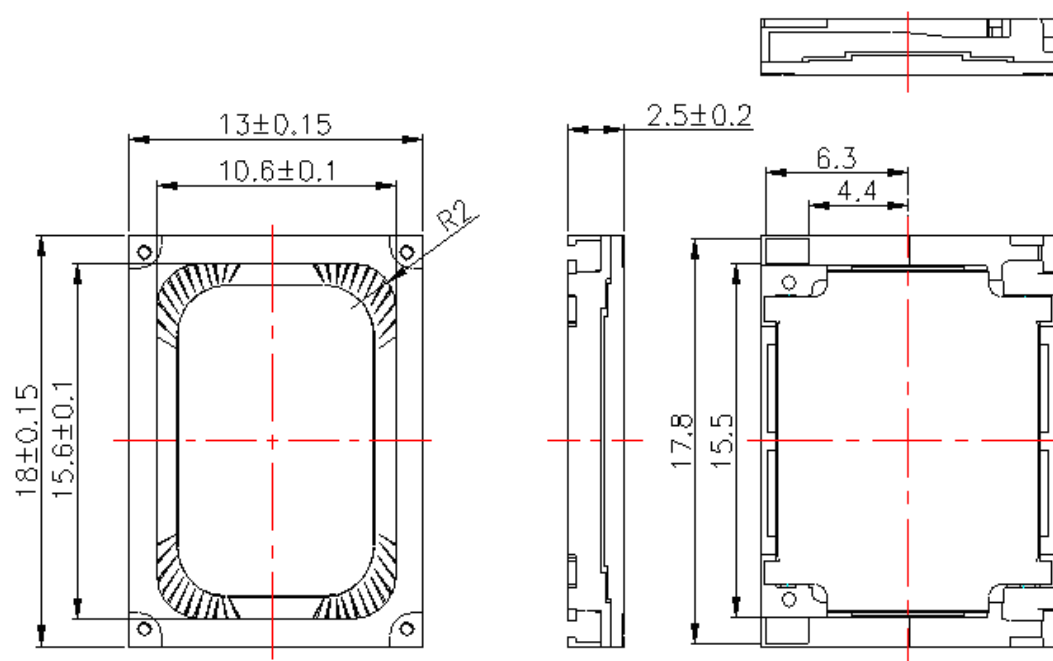
RS Stock Code:1176048

Specifications

Rated impedance at 2.0k Hz/2.37 Vrms/in 1cc box	8±15%Ω
Rated input power	0.7W
Maximum input power	1.0W
Resonant frequency at 2.37Vrms/0.1m in a 1cc box	800±15%Hz
Frequency range	500-10,000Hz
Sound pressure level at 2.0kHz/2.37 Vrms/0.1m	93±3dB
Total harmonic distortion at 1KHz 0.7W/0.1m	10%Max
Coil resistance	7.4±15%Ω
Operating temperature	-20~+70°C
Storage temperature	-40~+85°C
Weight	1.8g

Material

Frame - PPA	Main & Deputy Plates - SPCC
Yoke - SPCC	Main & Deputy Magnets - NdFeB
Diaphragm - PEEK	Front Cover - PPA
Voice coil - Copper Wire	Solder Joints - SUS

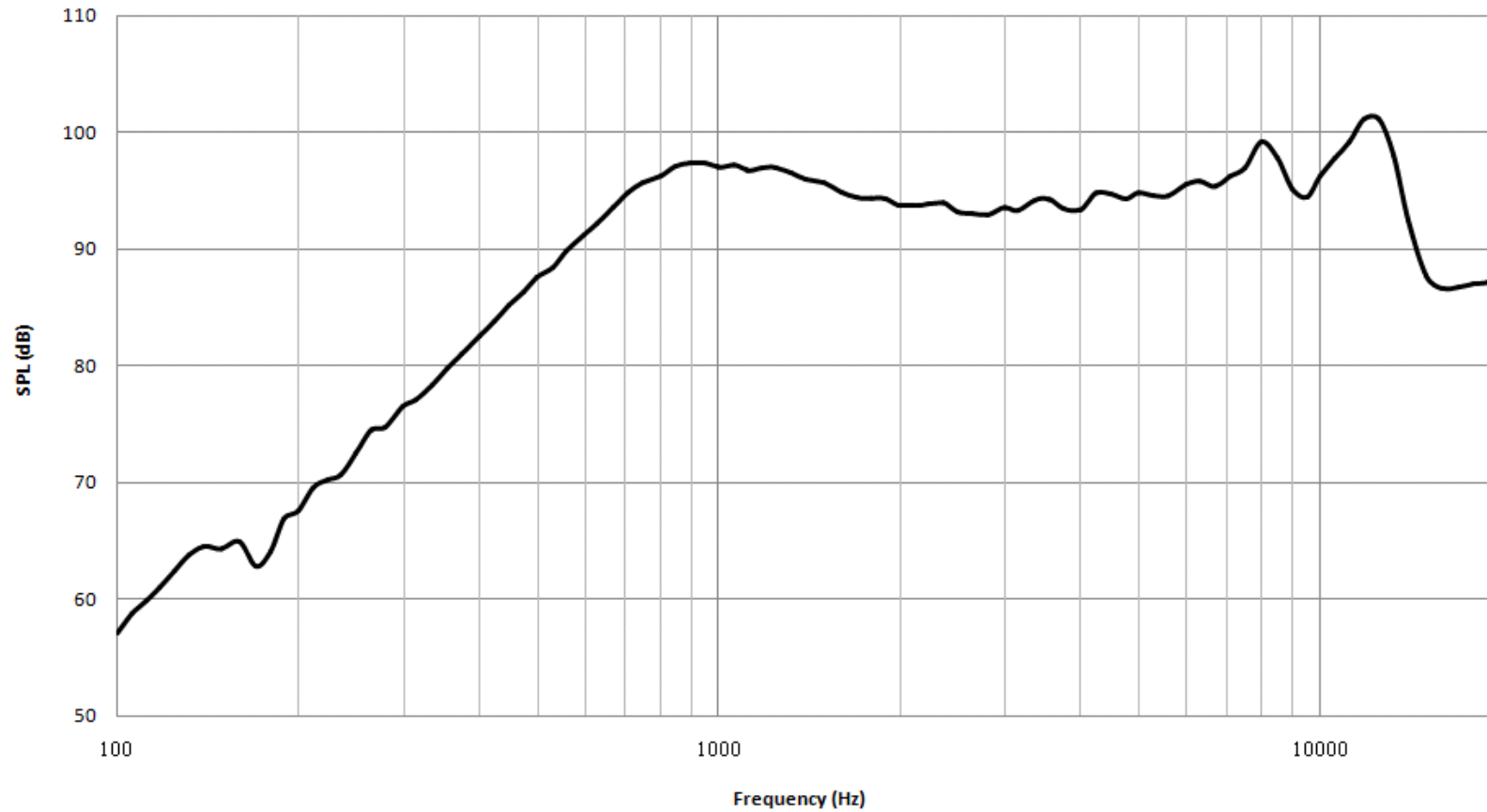


Dimensions Unit: mm

Frequency Curve

SPEAKERS

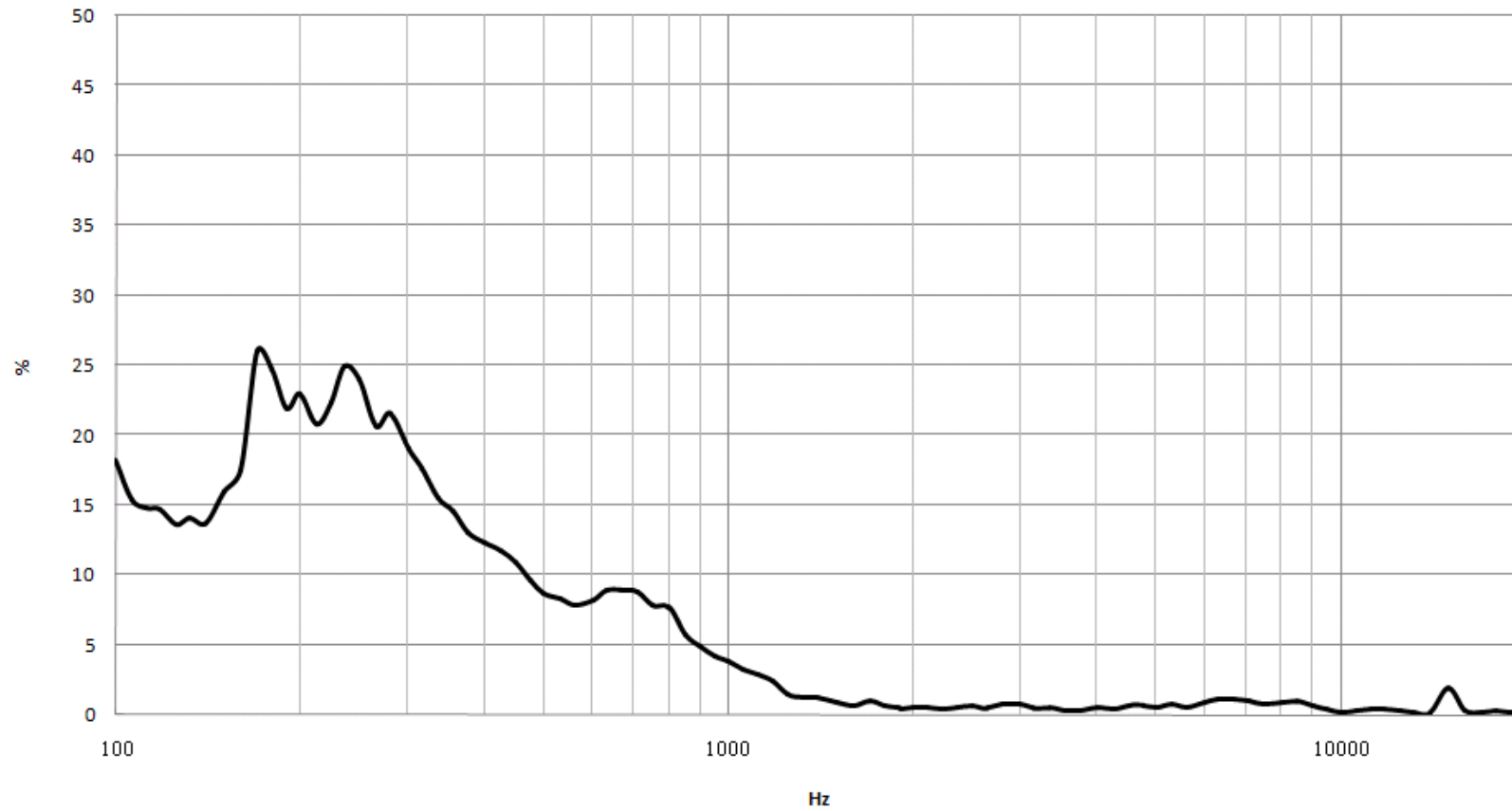
2.37Vrms/10cm/in 1cc box



Speaker Distortion Curve

SPEAKERS

2.37Vrms/10cm/in 1cc box



Impedance Response Curve

SPEAKERS

2.37Vrms/10cm/in 1cc box

