



### Main

|                           |                                 |
|---------------------------|---------------------------------|
| Range of product          | Harmony 9001K<br>Harmony 9001SK |
| Product or component type | Contact block                   |
| Device short name         | 9001K                           |

### Complementary

|   |   |
|---|---|
| Net weight                                  | 0.027 kg  |
| Contacts type and composition               | 1 C/O   |
| Contact operation                           | Positive opening  |
| Positive opening                            | Without   |
| Connections - terminals                     | Screw clamp terminals, 1 x 0.22...2 x 2.5 mm <sup>2</sup> conforming to IEC 60947-1   |
| Tightening torque                           | 0.8 N.m conforming to IEC 60947-1   |
| Shape of screw head                         | Cross slotted   |
| Contacts material                           | Silver alloy contacts   |
| Short-circuit protection                    | 10 A cartridge fuse conforming to IEC 60947-5-1   |
| [Ith] conventional free air thermal current | 10 A  |
| [Ui] rated insulation voltage               | 250 V (pollution degree 3) conforming to IEC 60947-1  |
| [Uimp] rated impulse withstand voltage      | 2.5 kV conforming to IEC 60947-1  |
| [Ie] rated operational current              | 3 A at 240 V, AC-15, A600-Q600 conforming to NEMA<br>0.55 A at 125 V, DC-13, A600-Q600 conforming to NEMA   |
| [Icm] rated short-circuit making capacity   | 12 KA at 600 V AC-15, 7200 VA<br>15 KA at 480 V AC-15, 7200 VA<br>30 KA at 240 V AC-15, 7200 VA<br>60 KA at 120 V AC-15, 7200 VA<br>0.1 KA at 600 V DC-13, 7200 VA<br>0.27 KA at 250 V DC-13, 7200 VA<br>0.55 kA at 125 V DC-13 |
| Rated breaking capacity                     | 3 KA at 240 V AC-15, 720 VA<br>6 KA at 120 V AC-15, 720 VA<br>1.2 KA at 600 V AC-15, 720 VA<br>1.5 KA at 480 V AC-15, 720 VA<br>0.1 KA at 600 V DC-13<br>0.27 KA at 250 V DC-13<br>0.55 kA at 125 V DC-13                       |
| [Us] rated supply voltage                   | 0...600 V   |
| Connections - terminals                     | Screw-clamp terminals   |

### Environment

|                                       |                                  |
|---------------------------------------|----------------------------------|
| Protective treatment                  | TC                               |
| Ambient air temperature for storage   | -40...70 °C                      |
| Ambient air temperature for operation | -25...70 °C                      |
| Electrical shock protection class     | Class II conforming to IEC 61140 |
| IP degree of protection               | IP20 conforming to IEC 60529     |

The information provided in this documentation contains general descriptions and/or technical characteristics of the performance of the products contained herein. This documentation is not intended as a substitute for and is not to be used for determining suitability or reliability of these products for specific user applications. It is the duty of any such user or integrator to perform the appropriate and complete risk analysis, evaluation and testing of the products with respect to the relevant specific application or use thereof. Neither Schneider Electric Industries SAS nor any of its affiliates or subsidiaries shall be responsible or liable for misuse of the information contained herein.

|                        |   |
|------------------------|---|
| Standards              | IEC 60947-5-1<br>JIS C 4520<br>UL 508<br>IEC 60947-1<br>JIS C 852<br>CSA C22.2 No 14<br>IEC 60947-5-4<br>UL 60947-5-1 |
| Product certifications | NEMA[RETURN]UL 508  |
| Vibration resistance   | 7 gn (f= 2...500 Hz) conforming to IEC 60068-2-6  |
| Shock resistance       | 50 gn conforming to IEC 60068-2-27  |

## Packing Units

|                              |           |
|------------------------------|-----------|
| Unit Type of Package 1       | PCE       |
| Number of Units in Package 1 | 1         |
| Package 1 Height             | 2.500 cm  |
| Package 1 Width              | 3.000 cm  |
| Package 1 Length             | 4.000 cm  |
| Package 1 Weight             | 29.000 g  |
| Unit Type of Package 2       | S01       |
| Number of Units in Package 2 | 100       |
| Package 2 Height             | 15.000 cm |
| Package 2 Width              | 15.000 cm |
| Package 2 Length             | 40.000 cm |
| Package 2 Weight             | 3.040 kg  |

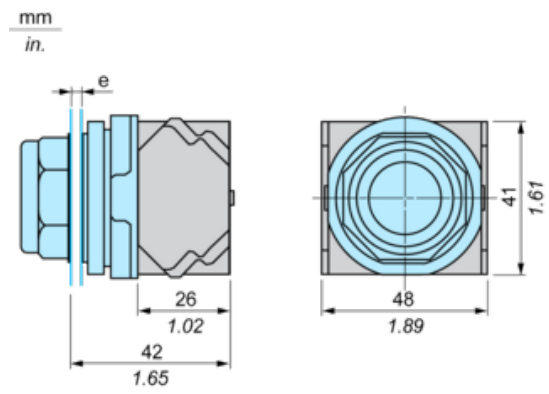
## Offer Sustainability

|                            |   |
|----------------------------|---|
| REACH Regulation           | <a href="#">REACH Declaration</a>   |
| EU RoHS Directive          | Pro-active compliance (Product out of EU RoHS legal scope)  |
| Mercury free               | Yes   |
| China RoHS Regulation      | <a href="#">China RoHS Declaration</a>  |
| RoHS exemption information | <a href="#">Yes</a>   |
| WEEE                       | The product must be disposed on European Union markets following specific waste collection and never end up in rubbish bins |

## Contractual warranty

|          |           |
|----------|-----------|
| Warranty | 18 months |
|----------|-----------|

Dimensions



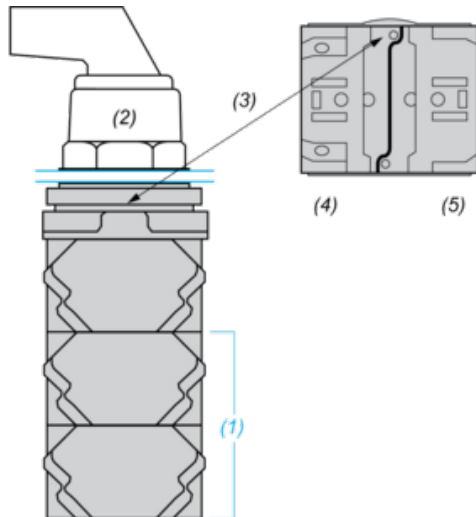
e panel thickness: 1 to 6 mm / 0.04 to 0.24 in.

---

Contact Block Mounting Position

---

Top and Rear views



- (1) It is possible to mount up to 3 levels of contacts blocks (maximum of 6 contacts blocks)
- (2) Operator
- (3) Locating notch
- (4) Side 1
- (5) Side 2