

Smoke Detector (HFAD)

Safehome GS506 - 5 Year

- Photoelectric technology – Greatly reduces the amount of false alarms.
- 3 Year Limited Smoke Detector Warranty
- End of life warning – “Chirps” with red LED flash once every 32 seconds.
- Installation by drilling or magnet – 2 convenient methods of installation



The SafeHome GS506 is a battery operated smoke detector which utilises a photoelectric sensor. Photoelectric technology allows the detector to be more sensitive to detecting slow smoldering fires which generate thick black smoke and little heat.

With a reliable 9V battery (Duracell 6LR61 or GP 6F22A/M) the smoke detector has a battery life up to five years. Replacement batteries can easily be purchased from local hardware stores or super markets.

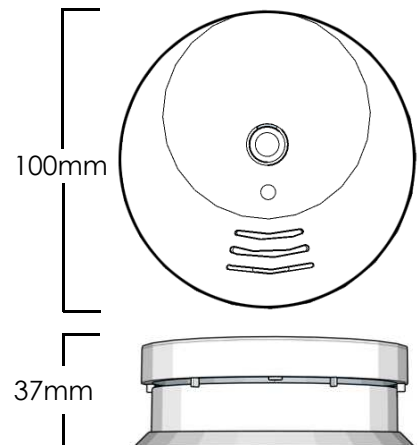
When low on battery, the smoke detector produces a chirping sound as a reminder for battery replacement.

Installation can be done in 2 convenient methods. Either fasten the base of the smoke detector to the ceiling with a screws drilled into the wall, or use the optional magnet with self-adhesive on a clean smooth surface (Purchased separately).

Backed by a 3 year limited 1 to 1 warranty, we guarantee the quality of this valuable, life-saving product.



MODEL	SAFEHOME GS506
Power	Standard Battery, DC9V
Sensor	Photoelectric
Size	100mm x 37mm
Current	<10uA (standby) <30mA (alarm)
Volume	>85dB(A) at 3 meters
Sensitivity	0.10-0.19dB/m



Ordering Information

MODEL	DESCRIPTION	PART NO
Safe Home GS506 – 1 Year	9V Carbon Zinc Battery included.	ACC-SH-506
Safe Home GS506 – 5 Year	9V Alkaline Battery included. For usage up to 5 years without battery replacement.	ACC-SH-506-F
Safe Home Magnet	Magnetic base with self-adhesive for tool-less easy installation.	ACC-SW-MAG

Due to constant improvements, product dimensions may differ slightly.



FIRE ARMOUR

14 Fan Yoong Rd, T62666788 F 62663788
Email: firearmour@firearmour.com.sg