



Datasheet

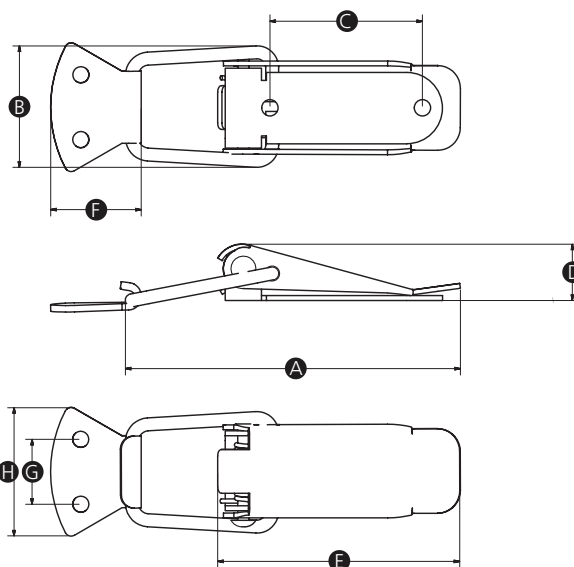
RS PRO Stainless steel toggle latch, 90mm length

Stock number: 1929628

EN



- Stainless steel (304) sprung toggle latch
- Complete with catchplate.



Part No.	A	B	C	D	E	F	G	H	Base hole size	Hook hole size	Max load (N)
1929628	90	36	41	14	65	26	17	38	5	4	600