

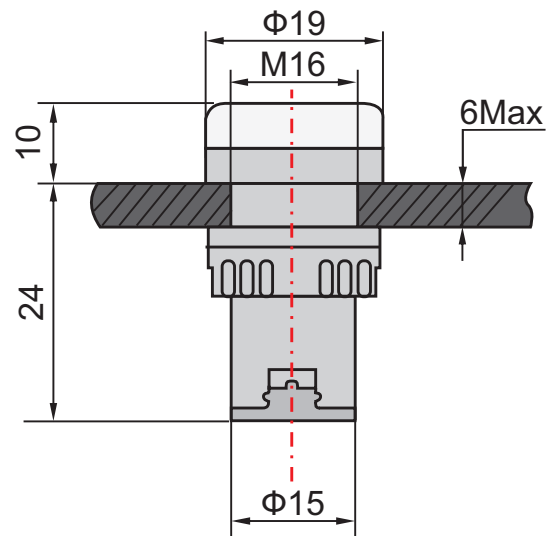
# Datasheet

## LED Indicator 16mm White 230Vac

RS Stock Number: 909-2465



Representative of range



### Technical Specification

Colour	White
Nominal Voltage (V <sub>n</sub> )	230V ac
Operating Voltage Range	V <sub>n</sub> +/- 15%
Frequency (ac)	50 - 60Hz
Insulation Resistance	≥ 2MΩ
Insulation Withstand	2.5kVac, 1 minute
Current Draw	≤ 20mA
IP Rating (from front, panel mounted)	IP40
Brightness	≥ 60 cd/m <sup>3</sup>
Operational Life	30,000 hours
Relative Humidity	≤ 98%
Operating Temperature Range	-25°C to +55°C