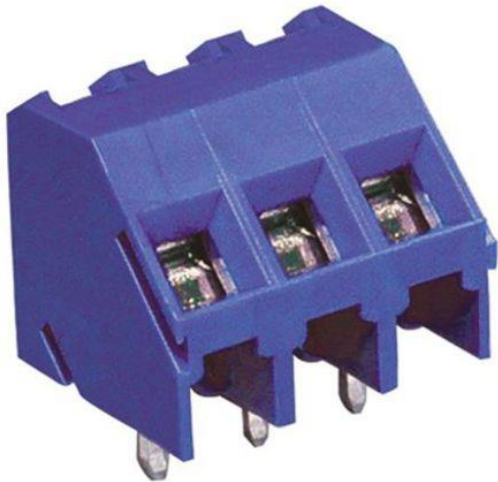


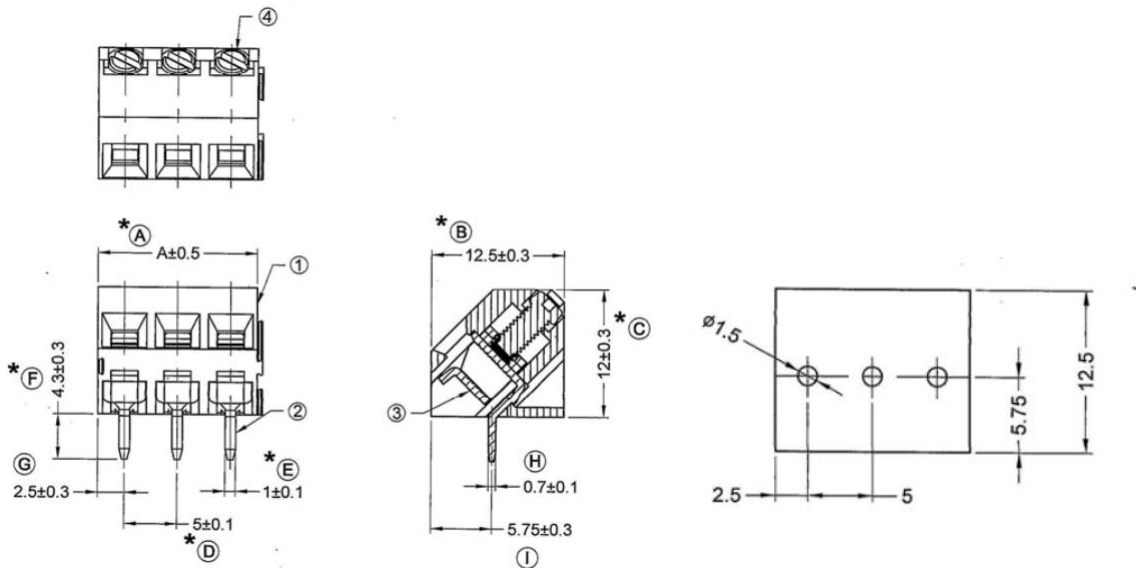
# Datasheet

## 3 way terminal block 5.08mm

RS Stock 790-1200



### Dimensions: (mm)



### Specification

Current Rating: 16Amp AC300V  
 Insulation Withstands Volts: AC2000V Min  
 Insulation Resistance: >2000M  $\Omega$  DC500V  
 Operation Temperature: -40°C to + 105°C  
 Wire Strip Length: 6mm~7mm  
 Wire Range: 12~24 AWG  
 Screw Torque: 3.5lb-inch

### Material

Insulating Body: Polyamide 66(UL94V-0)  
 Screw: Steel / Finish: NI Plated  
 Terminal: Brass/ Tin Plated  
 Cage Clamp: Steel / Finished: NI Plated  
 RoHS Compliant