

Datasheet

4PDT Non-Latching Relay, 12 A, 110V ac

RS Stock number 613-3780

BLY4



- Large capacity 12A of general purpose relay.
- 4PDT contact arrangement.
- L.E.D. status lamp: Shows coil "ON" or "OFF" status, ideal in low light conditions. DC: bi-polar L.E.D.
- Push button: Allows for manual operation of relay without the need for coil power, ideal for field service personnel to test control circuits.
- UL pending.

Contact rating:

| | | |
|--|--------|------------|
| | | BLY4-4C |
| Contact capacity resistive load (Cos.=1) | | 12A 28VDC |
| | | 12A 240VAC |
| Motor | 120VAC | 1/3HP |
| | 240VAC | 1/2HP |

Specifications:

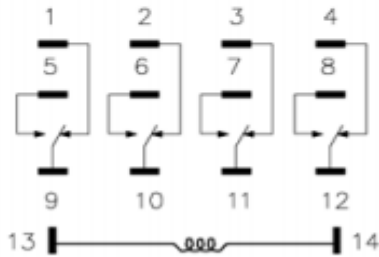
| | |
|-------------------------|---|
| Contact resistance | 50mΩ Maximum |
| Operate time | 25mS maximum |
| Release time | 25mS maximum |
| Insulation resistance | 100MΩ minimum at 500VDC |
| Dielectric strength | Between open contact: 1000 VAC for 1 minute |
| | Coil to frame: 2200 VAC for 1 minute |
| | Contact to coil: 2200 VAC for 1 minute |
| | Pole to pole: 2200 VAC for 1 minute |
| Temperature (operating) | -45°C to +55°C(AC); -45°C to +70°C(DC) |
| Mechanical life | 10,000,000 operations |
| Electrical life | 100,000 operations |
| Contact material | AgNi10 |
| Weight (approx.) | 72g |

Coil rating:

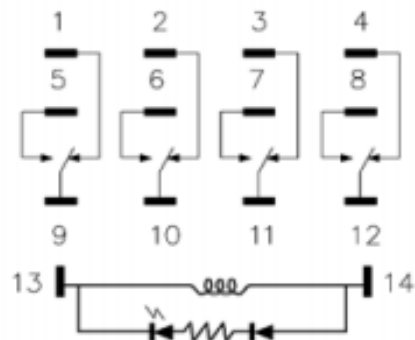
| Rated Voltage (V) | | Coil resistance (Ω) | | Max. pull-in Voltage | Min. dropout voltage | Max. allowable Voltage | Power Consumption |
|-------------------|------|---------------------|------|----------------------|----------------------|------------------------|-------------------|
| | | ±10% at 25°C | | | | | |
| DC | 4C | 6 | 24 | 75 Max. | 10 Min. | 110 Max. | Approx. 1.5W |
| | | 12 | 96 | | | | |
| | | 24 | 388 | | | | |
| | | 48 | 1550 | | | | |
| | | 110 | 7340 | | | | |
| AC | 4C | 6 | 5.4 | 80 Max. | 30 Min. | 110 Max. | Approx. 2.5VA |
| | | 12 | 21.3 | | | | |
| | | 24 | 84.5 | | | | |
| | | 48 | 340 | | | | |
| | | 110 | 1800 | | | | |
| | | 120 | 2220 | | | | |
| | | 220 | 7360 | | | | |
| | | 230 | 8520 | | | | |
| 240 | 9120 | | | | | | |

Wire diagrams :

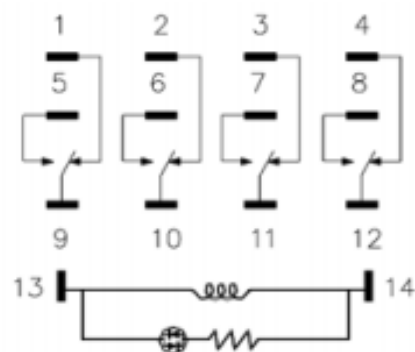
Standard styles



AC styles(with LED)

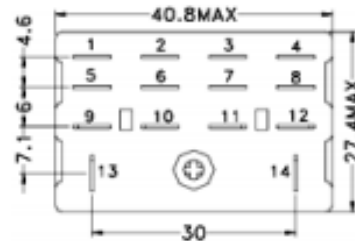
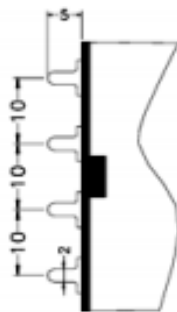


DC styles(with LED)

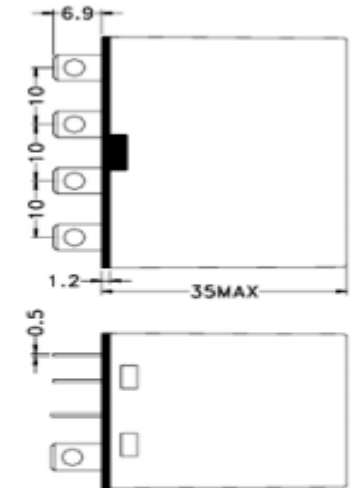


Dimensions :

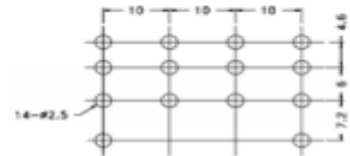
Plain cover style:P.C.B terminal (Code P)



Solder (plug-in) terminal (Code S)



Printed circuit board layout



With push button:

