

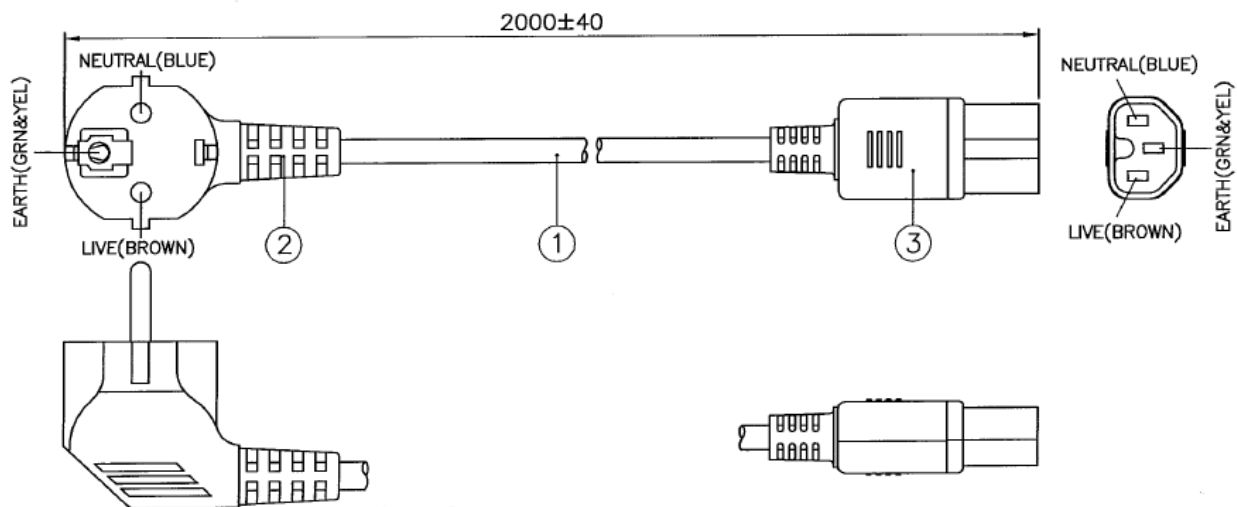
# Datasheet

## European Power Supply Cord Set

RS Stock number 909-2174

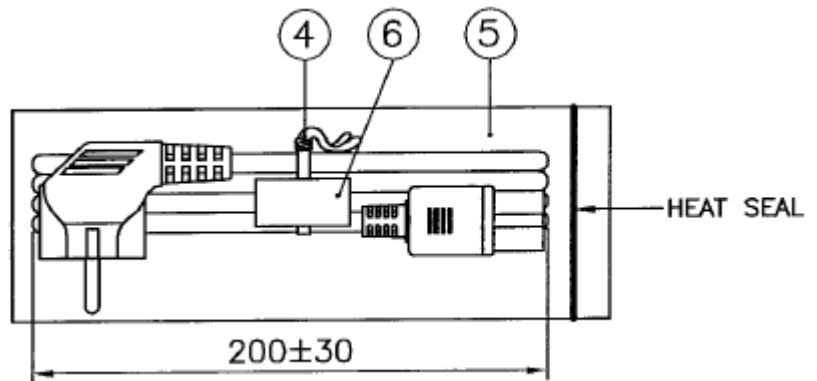
### Note:

- All dimensions in mm.
- The cord shall comply with EN 50525-2-21
- The molded plug shall comply with various European countries' configuration (national standard) and tested to IEC 60884-1.
- The molded connector shall comply with IEC 60320-1 or EN 60320-1.



S/N	Description	Item Number	Qty.
1	H05RR-F 3x1.00 blk (bare copper)	1270026	1
2	Molded Plug M2511A (16A 250V)	M2511A-R	1
	IP60G NL7976B blk	4100115	-
3	Molded Connector VSCC15 (10A 250V)	VSCC15-BKR	1
	IP60G NL7976B blk	4100115	-

APPROVED SOURCE FOR CABLE  
1. TA TUN(DONG GUAN).



S/N	Description	Item Number	Qty.
4	6" PE TIE blk	6310056	1
5	Bag LDPE 283x114x0.05 PRT	904028	1
6	Printed Label	VL-0538	1