



ENGLISH

## Datasheet

# DIN Circular Connectors

RS Stock number 692-5447



### Description:

DIN socket straight version, shielded with metal housing, bend protection and solder terminals.

### Specifications:

Temperature range

-20 °C/+85 °C

Materials

Insulating body

ABS, V0 according to UL 94

Contact spring

CuZn, silvered

Strain relief

steel, nickered

Screw

steel, nickered

Housing

Zn alloy, nickered

Bend protection

PVC

Mechanical data

Mating with

DIN plugs 0131

Wire section

≤ AWG 18 (0.75 mm<sup>2</sup>)

Electrical data

Contact resistance contact spring

≤ 30 mΩ

Contact resistance housing

≤ 50 mΩ

Rated current

≤ 4 A

Rated voltage

60 V AC

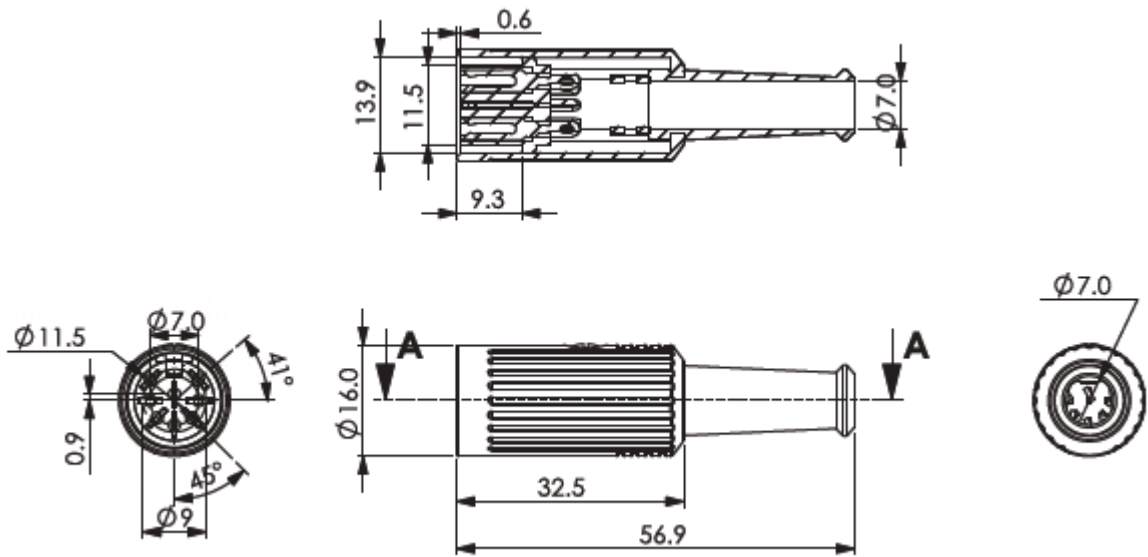
Test voltage

250 V AC RMS/60 s

Insulation resistance

≥ 100 MΩ

Drawing (mm):



DIN 41524



0121 03



0121 04

DIN 41524



0121 05

DIN 45322



0121 05-1

DIN 45322



0121 06

DIN 45329



0121 07-1

DIN 45326



0121 08-1