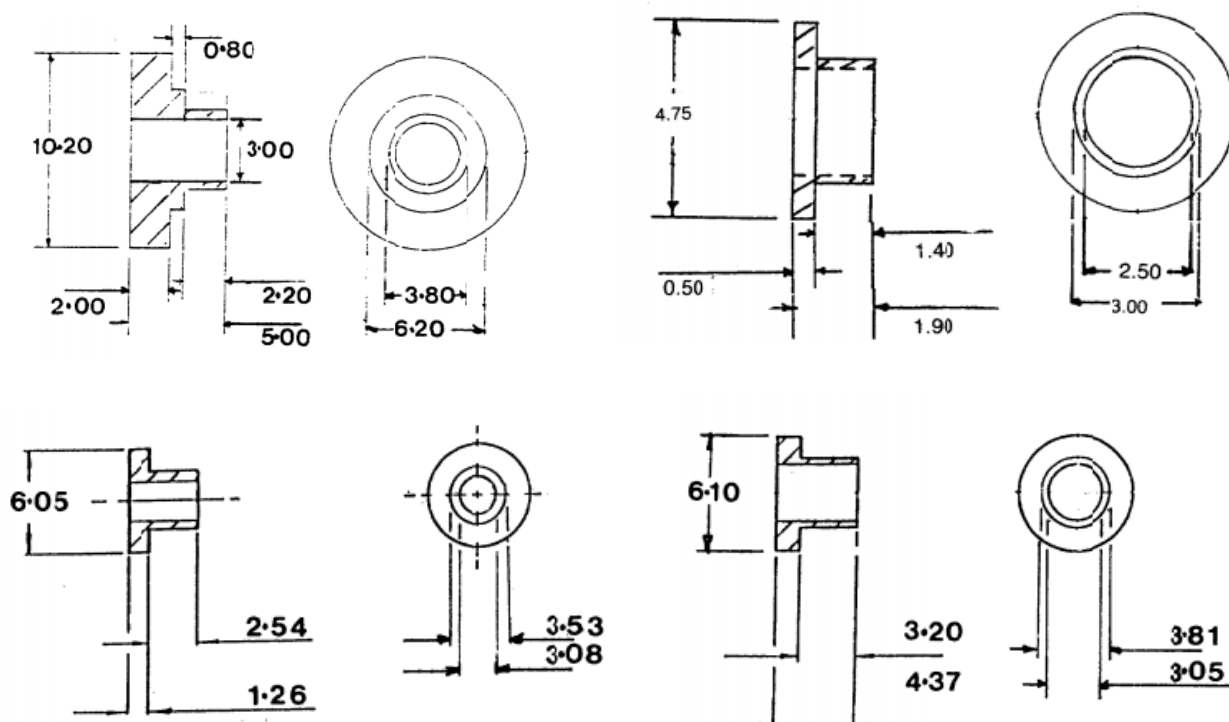


## Datasheet

### Heatsink Transistor Mount Kit

RS Stock number [298-500](#)

Dimensions: (mm)



## Specifications

- For use with SOT-93 , TO-220, TO-202, TO-128, TO-3P

## Contents

- 10x screws, nuts, flat washers and split washers