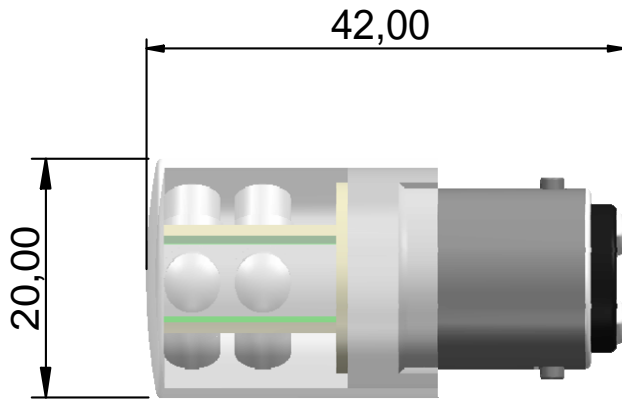


RS ITEM NO 209-282

ITEM NO TLY24A



|                  |               |                          |                      |                                                 |               |
|------------------|---------------|--------------------------|----------------------|-------------------------------------------------|---------------|
| LED/Multiled     | <i>LED</i>    | Optimum voltage (V)      | <i>24Vac/dc</i>      | Intensity                                       | <i>100mcd</i> |
| Mounting Size    | <i>13mm</i>   | Rectifier                |                      | Reverse Voltage                                 |               |
| Mounting Finish  |               | AC current               | <i>13mA</i>          | 360 Illumination for Stack Light or Tower Light |               |
| Protection       |               | DC current               | <i>20mA (max)</i>    |                                                 |               |
| Mount Holder     | <i>BA15D</i>  | Voltage Tolerance(%)     | <i>10%</i>           |                                                 |               |
| Chip Qty         | <i>6</i>      | Optimum temperature (°C) | <i>-30°C...+60°C</i> |                                                 |               |
| Indicator colour | <i>Yellow</i> | Storage temperature (°C) | <i>-30°C...+60°C</i> |                                                 |               |
| Wavelength (nm)  | <i>590nm</i>  | Contact Tab x 2          | <i>BA15D BaseCap</i> |                                                 |               |



*Dimension in mm (typical), not to scale.*

*We reserve the right to make changes without further notice to this product to improve reliability, function or design.*