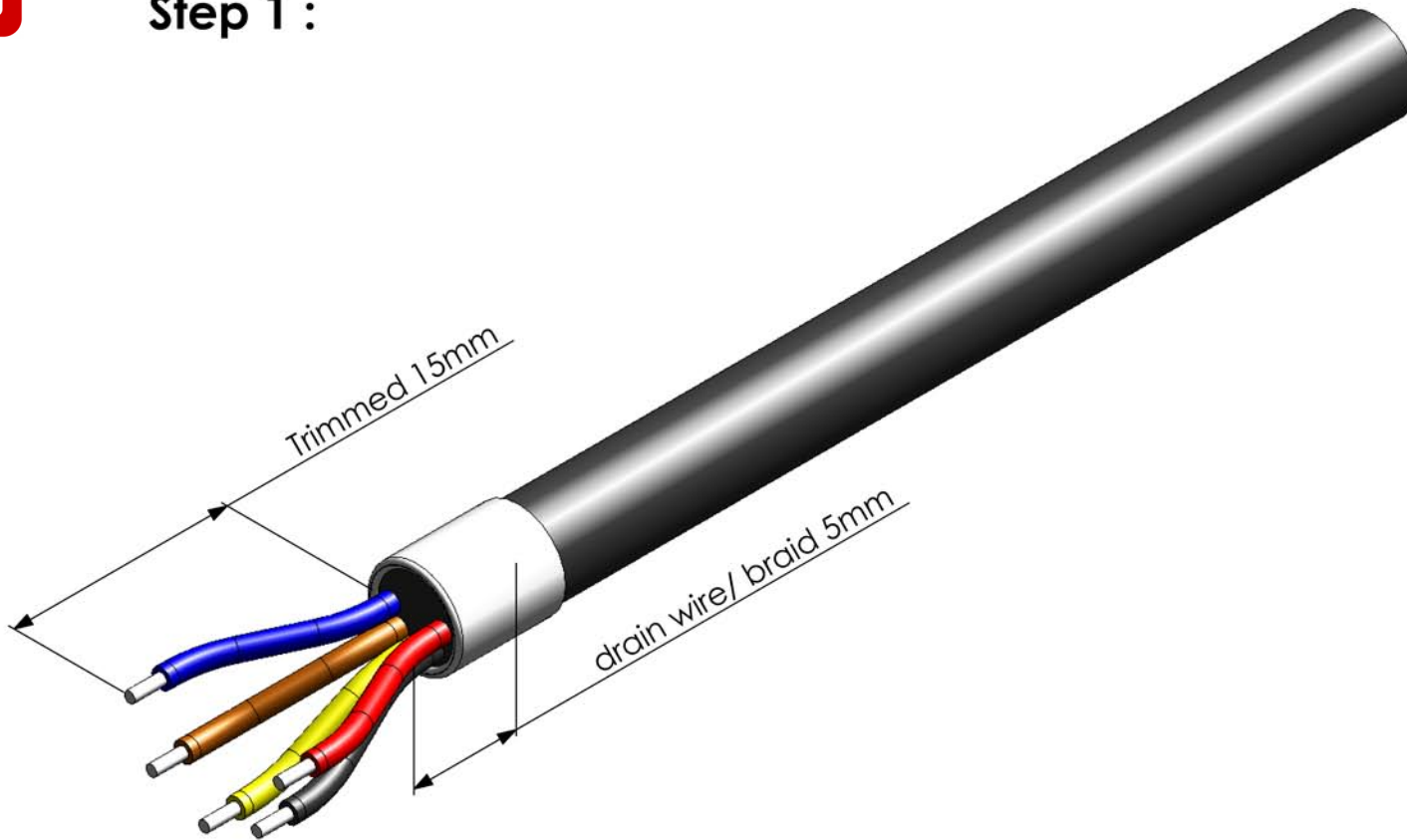




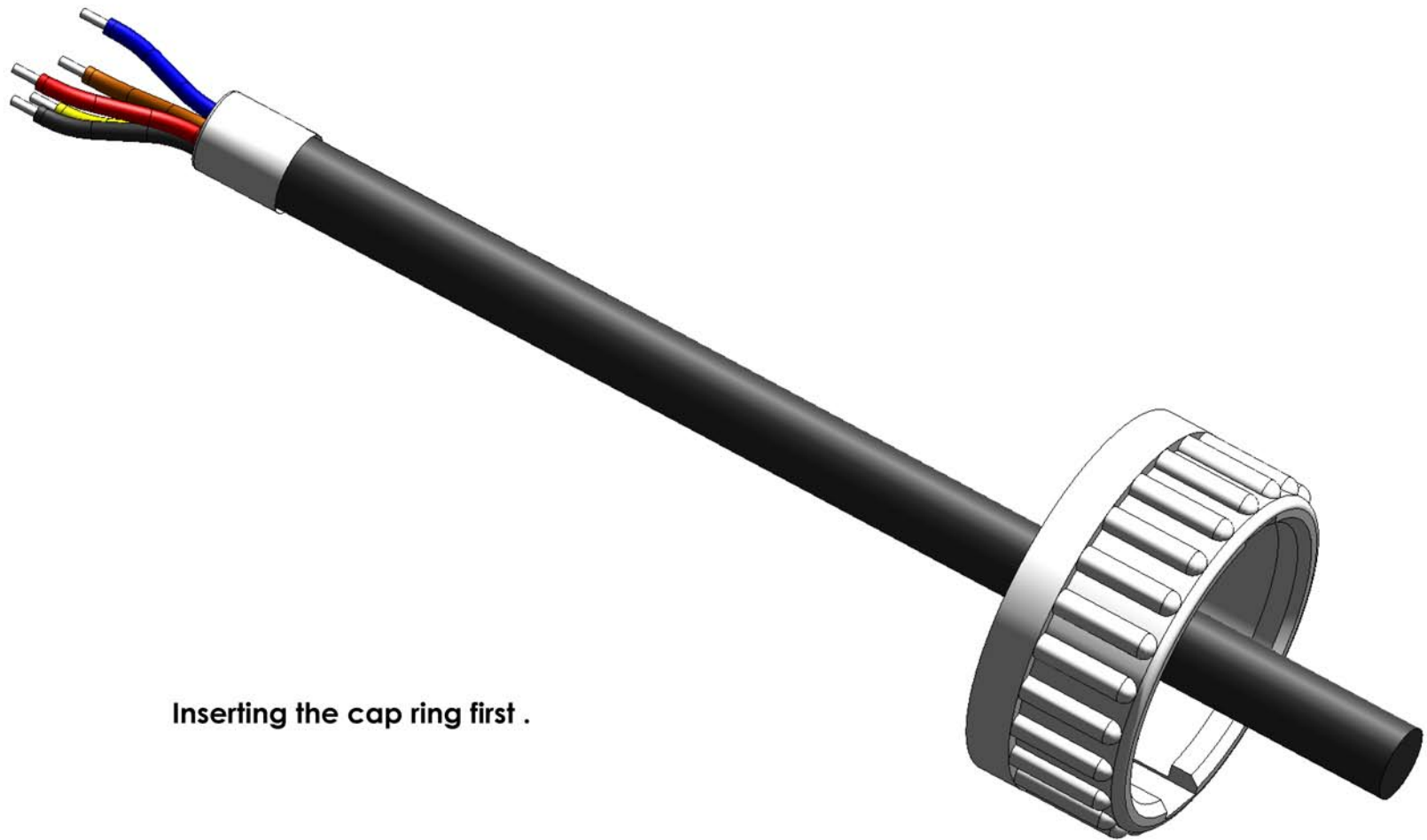
Step 1 :



Recommended Cable trimmed instruction

品名: ITEM :	YE-1395A ASSEMBLY INSTRUCTIONS			一般公差	SHEET:	單位: unit:	mm	日期: date:	'13/03/28	繪圖: drwn by:	DanielShyr
料號: PART NO.	STEP 1	圖號: DRW NO.		.X +/-0.25 .XX +/-0.10		比例: scale:		版本: version:	V. 1.0	核准: aprvid by:	SkyShyr

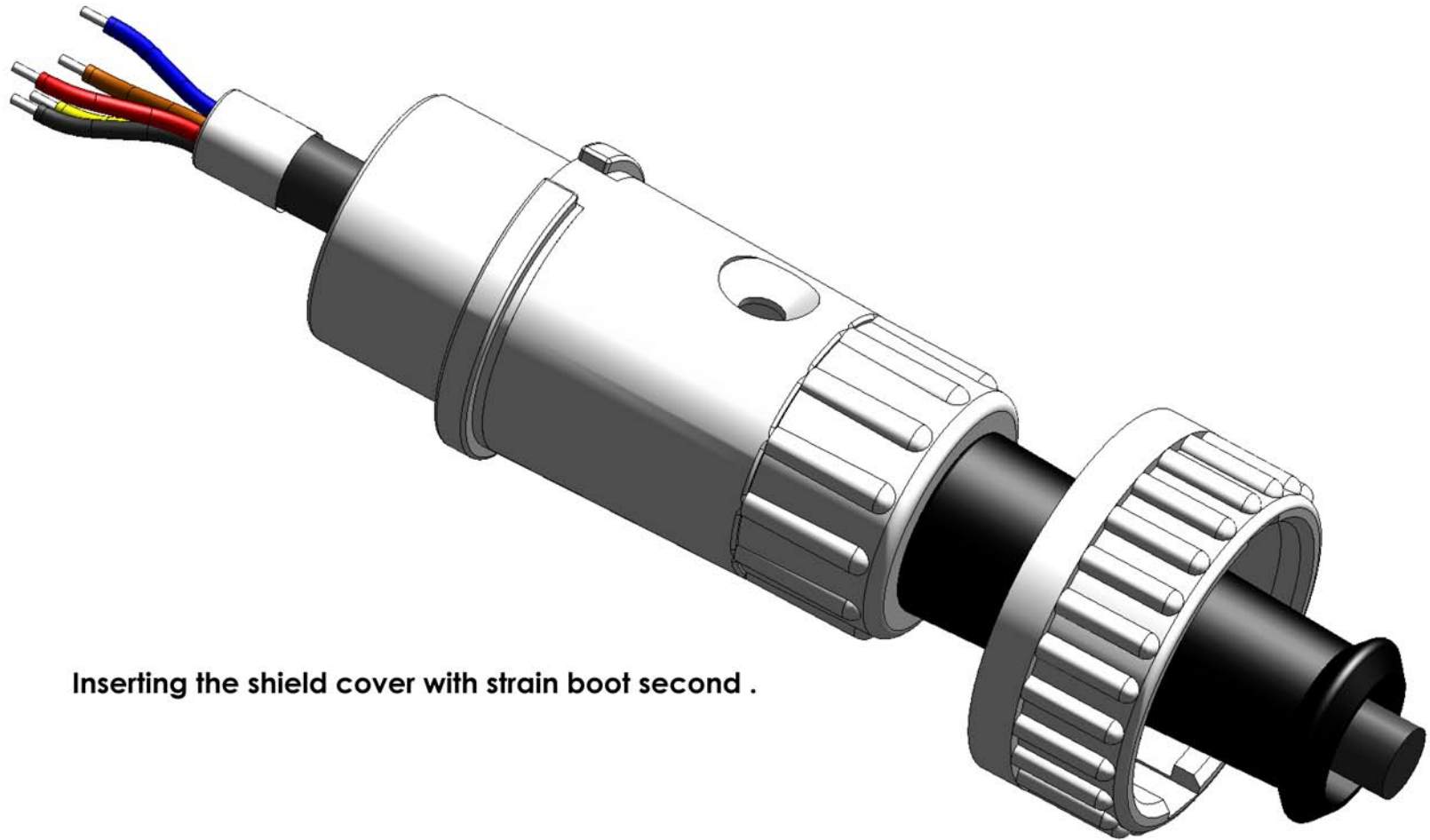
## Step 2 :





Inserting the cap ring first .

品名: ITEM :	YE-1395A ASSEMBLY INSTRUCTIONS			一般公差	SHEET:	單位: unit:	mm	日期: date:	'13/03/28	繪圖: drwn by:	DanielShyr
料號: PART NO.	STEP 2	圖號: DRW NO.		.X +/-0.25 .XX +/-0.10		比例: scale:		版本: version:	V. 1.0	核准: aprvid by:	SkyShyr

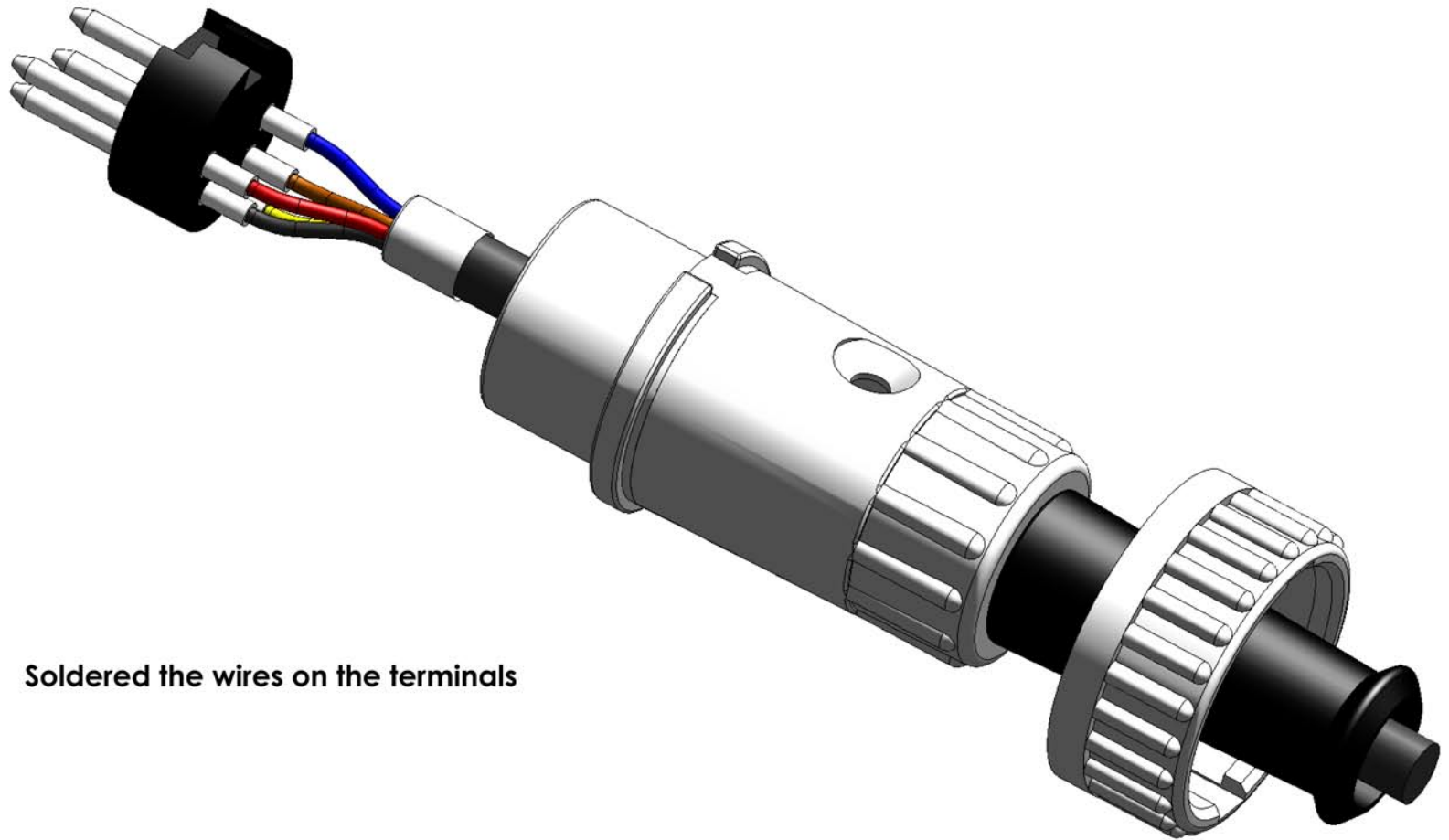
### Step 3 :



Inserting the shield cover with strain boot second .

品名: ITEM :	YE-1395A ASSEMBLY INSTRUCTIONS			一般公差	SHEET:	單位:	mm	日期:	'13/03/28	繪圖:	DanielShyr
料號: PART NO.	STEP 3	圖號: DRW NO.		.X +/-0.25 .XX +/-0.10		比例:		版本:		V. 1.0	

## Step 4 :

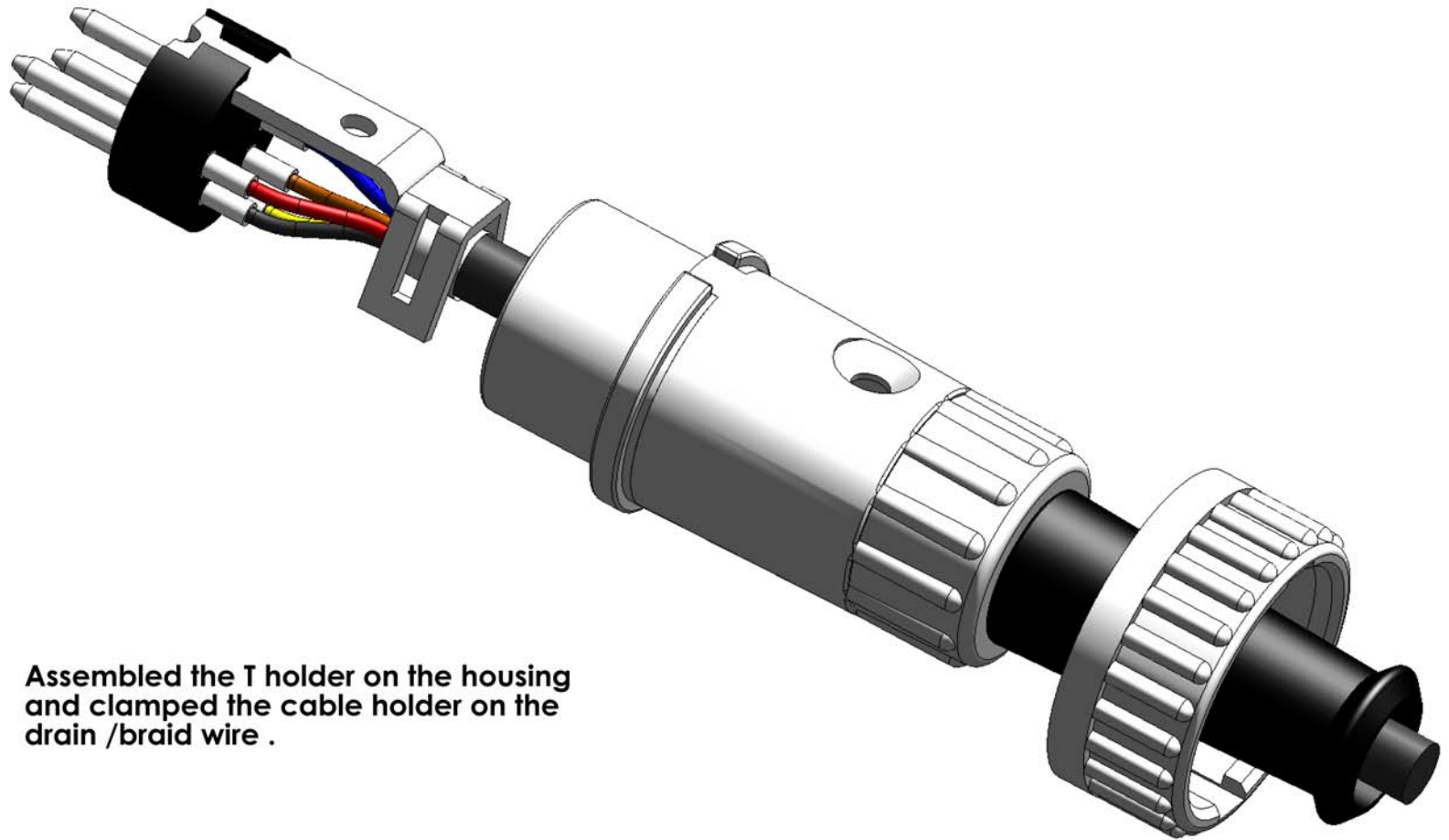


Soldered the wires on the terminals

品名: ITEM :	YE-1395A ASSEMBLY INSTRUCTIONS			一般公差	SHEET:	單位: unit:	mm	日期: date:	'13/03/28	繪圖: drwn by:	DanielShyr
料號: PART NO.	STEP 4	圖號: DRW NO.		.X +/-0.25 .XX +/-0.10		比例: scale:		版本: version:	V. 1.0	核准: aprvid by:	SkyShyr



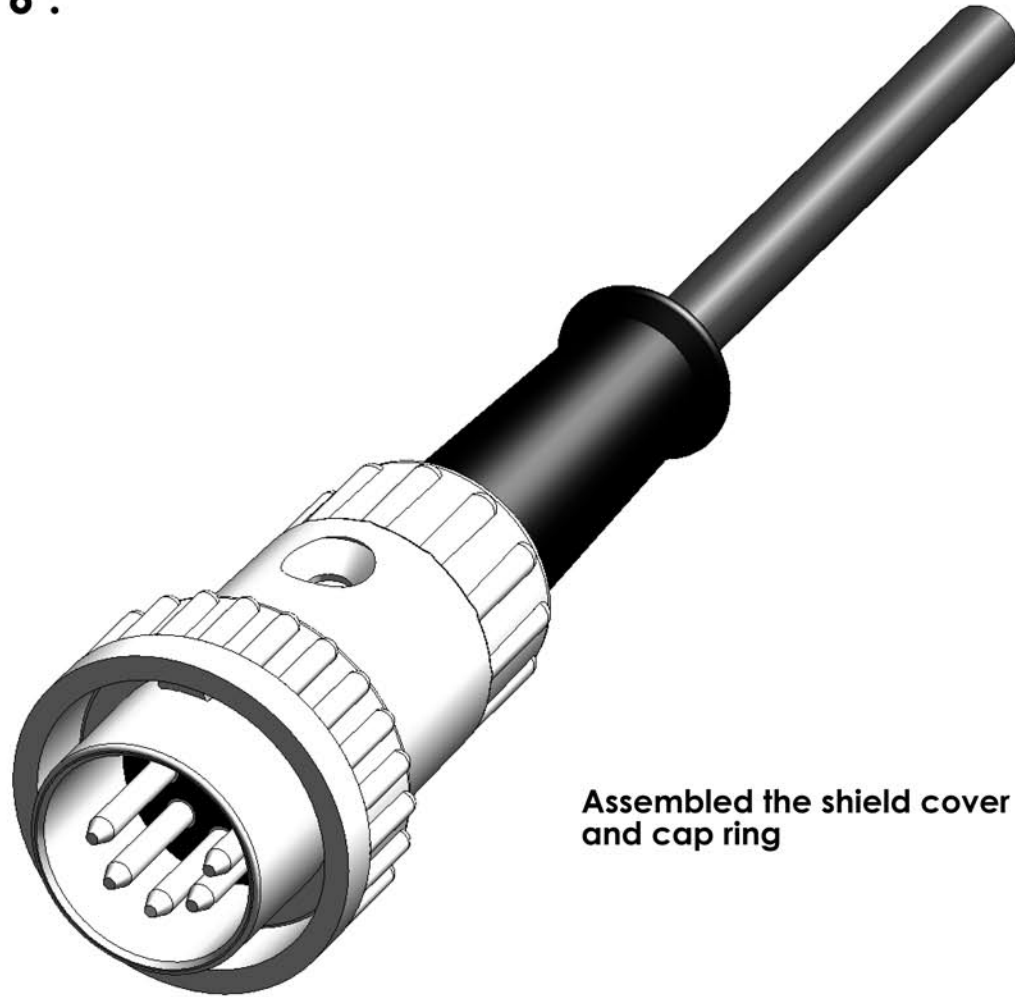
## Step 5 :



Assembled the T holder on the housing  
and clamped the cable holder on the  
drain /braid wire .

品名: ITEM :	YE-1395A ASSEMBLY INSTRUCTIONS			一般公差	SHEET:	單位: unit:	mm	日期: date:	'13/03/28	繪圖: drwn by:	DanielShyr
料號: PART NO.	STEP 5	圖號: DRW NO.		.X +/-0.25 .XX +/-0.10		比例: scale:		版本: version:	V. 1.0	核准: aprvid by:	SkyShyr

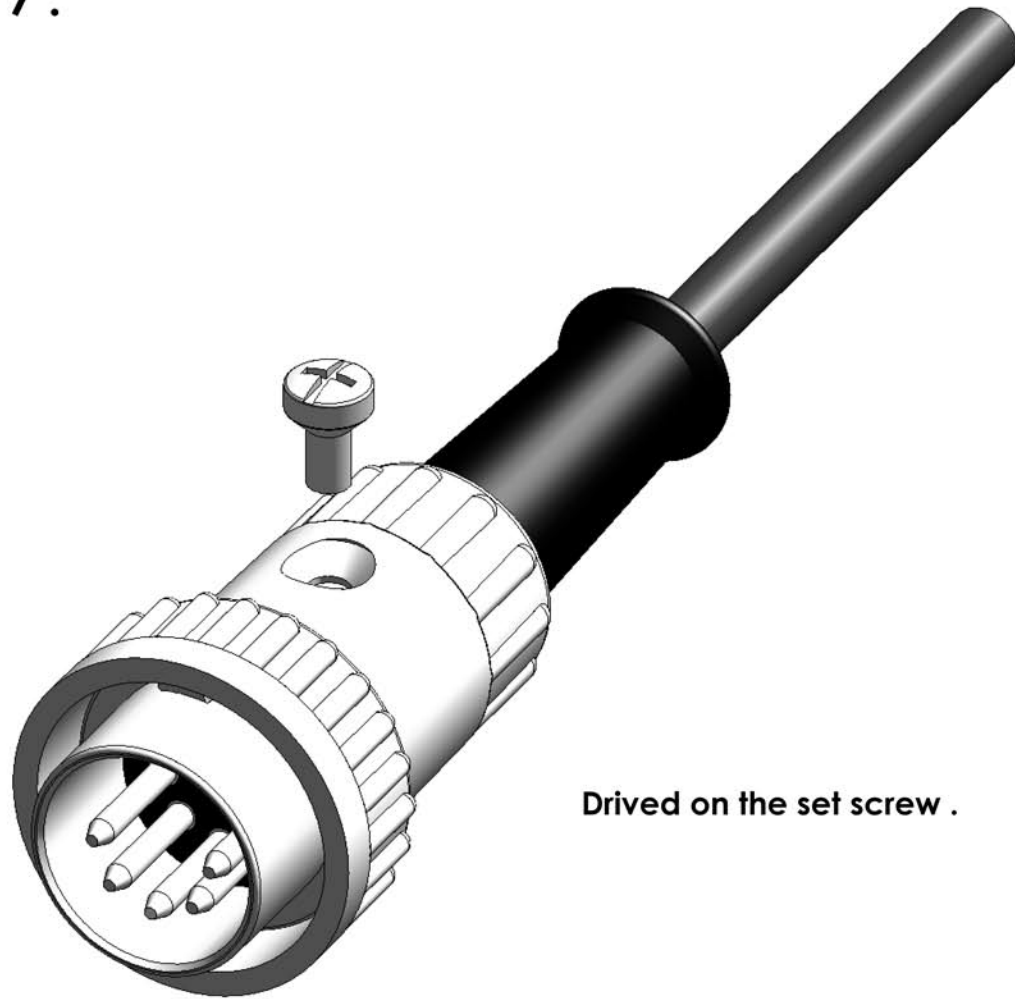
## Step 6 :



Assembled the shield cover with strain boot and cap ring

品名: ITEM :	YE-1395A ASSEMBLY INSTRUCTIONS			一般公差	SHEET:	單位: unit:	mm	日期: date:	'13/03/28	繪圖: drwn by:	DanielShyr
料號: PART NO.	STEP 6	圖號: DRW NO.		.X +/-0.25 .XX +/-0.10		比例: scale:		版本: version:	V. 1.0	核准: aprvid by:	SkyShyr

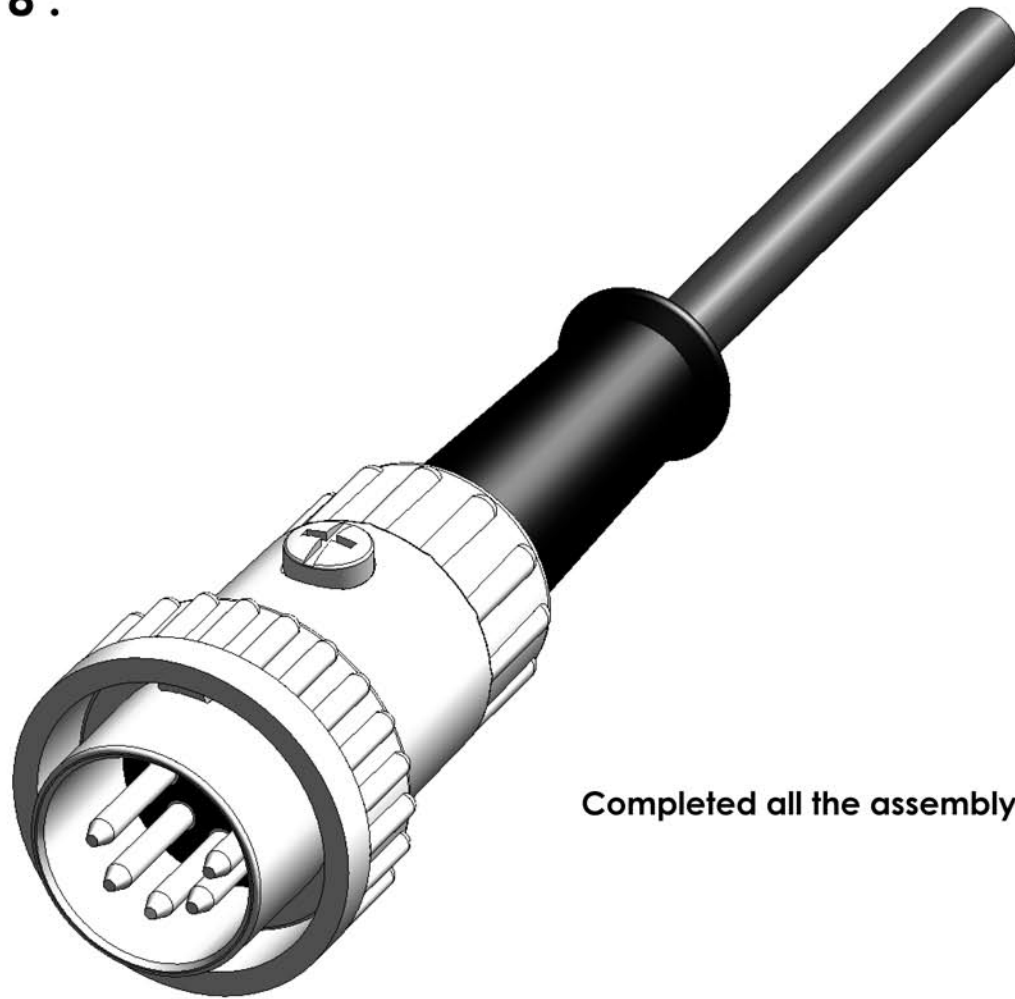
# Step 7 :



Drived on the set screw .

--	品名: ITEM :	YE-1395A ASSEMBLY INSTRUCTIONS			一般公差	SHEET:	單位: unit:	mm	日期: date:	'13/03/28	繪圖: drwn by:	DanielShyr
	料號: PART NO.	STEP 7	圖號: DRW NO.			.X +/-0.25 .XX +/-0.10		比例: scale:		版本: version:	V. 1.0	核准: aprvid by:

## Step 8 :



Completed all the assembly processes

品名: ITEM :	YE-1395A ASSEMBLY INSTRUCTIONS			一般公差	SHEET:	單位: unit:	mm	日期: date:	'13/03/28	繪圖: drwn by:	DanielShyr
料號: PART NO.	STEP 8	圖號: DRW NO.		.X +/-0.25 .XX +/-0.10		比例: scale:	版本: version:	V. 1.0	核准: aprvid by:	SkyShyr	