

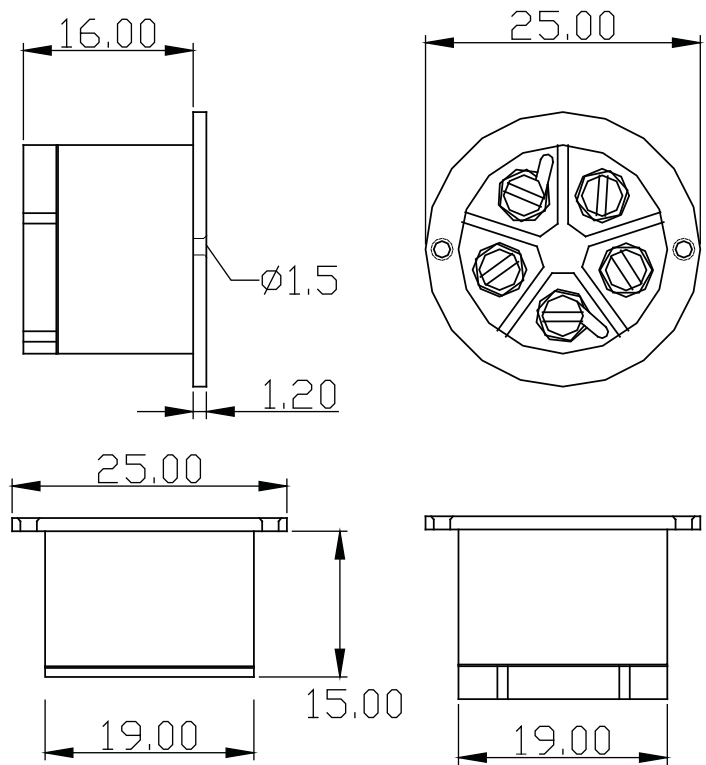
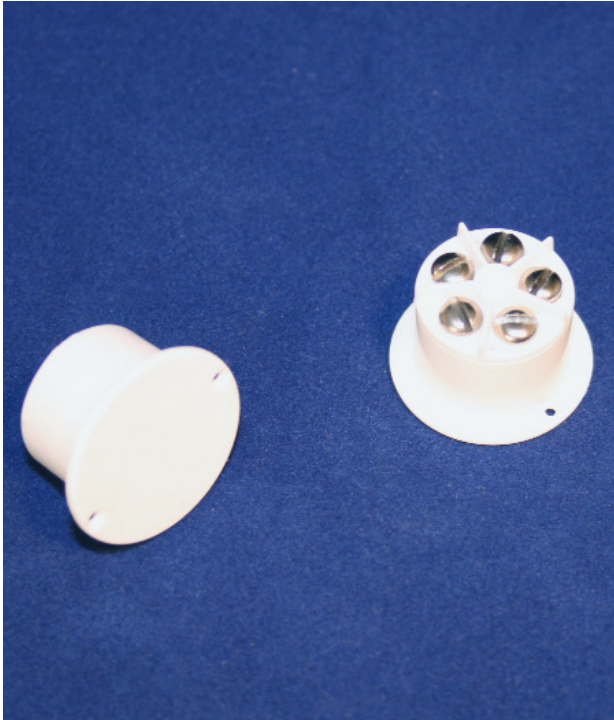


ENGLISH

Datasheet

Stock No: 9182669

RS Pro Grade 1 Flush alarm contact



Magnet

Specifications

- Normally open
- Grade 1
- Maximum switching voltage 140 VAC/ DC
- Maximum switching current 0.5 Amps
- Maximum power 6 W/VA
- Insulation resistance 100 MOhms
- Contact resistance 150 mOhms
- Operating distance 15mm
- Operating temperature -40° to $+60^{\circ}$ Celsius
- High impact Polystyrene housing material