

Datasheet

RS PRO VINYL-INSULATED (MOLDED EASY ENTRY) DIN RING TERMINALS

Stock number: 178-7271

MAXIMUM ELECTRIC CURRENT:

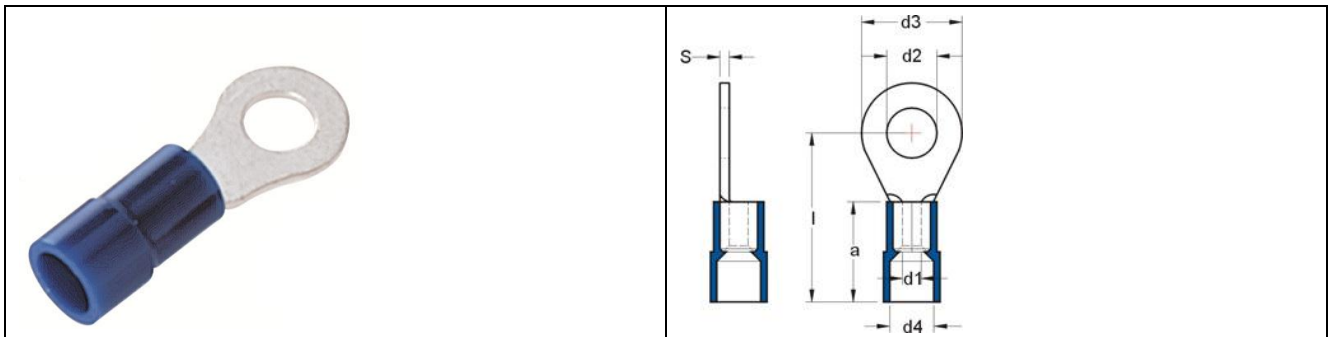
A.W.G.	16	14
AMP.	18	30

MAXIMUM ELECTRICAL RATING: 105° C 600 VOLTS MAX.

INSULATION MATERIAL: VINYL (PVC)

TERMINAL MATERIAL: COPPER

INSULATION COLOR: BLUE



WIRE RANGE A.W.G. mm ²	ITEM NO.	STUD SIZE	DIMENSION (mm)						
			BUTTED SEAM	d2	D3	I	d1	D4	A
16-14 A.W.G.	178-7271	#8	4.3	8	18	2.3	4.5	11	0.8
1.5-2.5 mm ²									