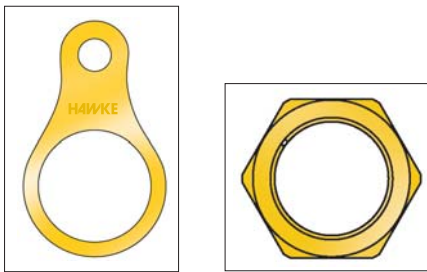
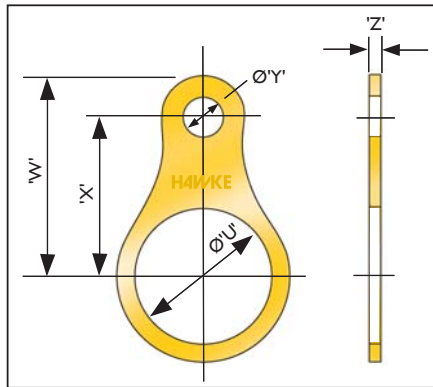


Cable Gland Accessories



Earth Tags



EARTH TAG SELECTION TABLE					
Metric Cable Gland Size 'U'	NPT *	'Y'	'W'	'X'	'Z'
M20	1/2"	7.0	39.6	33.1	1.6
M25	3/4"	10.5	45.5	36.5	1.6
M32	1"	12.2	52.0	40.9	1.6
M40	1 1/4"	13.6	59.6	44.2	1.6
M50	1 1/2"	13.5	78.9	58.1	1.6
M63	2"	13.5	87.6	66.8	1.6
M75	2 1/2"	13.5	93.7	72.9	1.6
M80	N/A	14.0	128.0	104.0	1.6
M90	3"	14.0	128.0	104.0	1.6
M100	3 1/2"	14.0	128.0	104.0	1.6
N/A	4"	14.0	145.0	124.0	1.6

Features

Provides an earth bond attachment for a cable gland.

Materials & Finishes

Hawke earth tags are manufactured in brass (standard). Stainless Steel locknuts are available, but dimensions may differ slightly to those stated in the selection table. Please contact Hawke for details.

Ordering Example

Earth Tag /Size/Thread

e.g. Earth Tag/M25

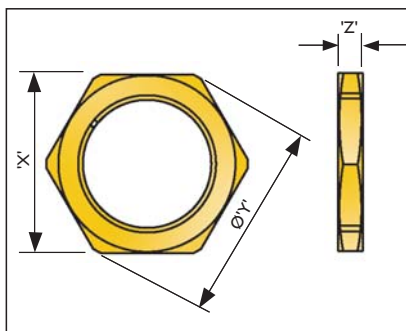


Alternative Shape may be supplied dependant upon size.

General Information

All dimensions in millimetres (except * where dimensions are in inches).

Heavy Duty Locknuts



LOCKNUT SELECTION TABLE							
Metric Cable Gland	Metric x 1.5mm Pitch			NPT			
	Across Flats 'X'	Across Corners 'Y'	'Z'	NPT * Cable Gland	Across Flats 'X'	Across Corners 'Y'	'Z'
M16	19.0	21.9	3.2	-	-	-	-
M20	24.0	26.9	4.0	1/2"	30.0	33.6	4.7
M20	24.0	26.9	4.0	3/4"	30.0	33.6	4.7
M25	30.0	33.6	4.0	1"	36.0	40.3	6.4
M32	46.0	53.1	4.0	1 1/4"	46.0	53.1	6.4
M40	46.0	53.1	4.8	1 1/2"	55.0	61.6	6.4
M50	65.0	72.8	4.7	2"	65.0	72.8	6.4
M63	80.0	89.6	6.4	2 1/2"	80.0	89.6	6.4
M75	95.0	107.0	6.4	3"	95.0	107.0	6.4
M80	106.4	119.2	10.0	3 1/2"	127.0	143.0	9.0
M90	106.4	119.2	10.0	3 1/2"	127.0	143.0	9.0
M100	127.0	142.2	10.0	4"	139.7	158.0	9.0

General Information

All dimensions in millimetres (except* where dimensions are in inches).

Features

Secures a cable gland in position at the equipment.

Materials & Finishes

Hawke heavy duty locknuts are manufactured in brass (standard). Stainless Steel locknuts are available, but dimensions may differ slightly to those stated in the selection table. Please contact Hawke for details.

Ordering Example

Locknut /Size/Thread

e.g. Locknut/M25