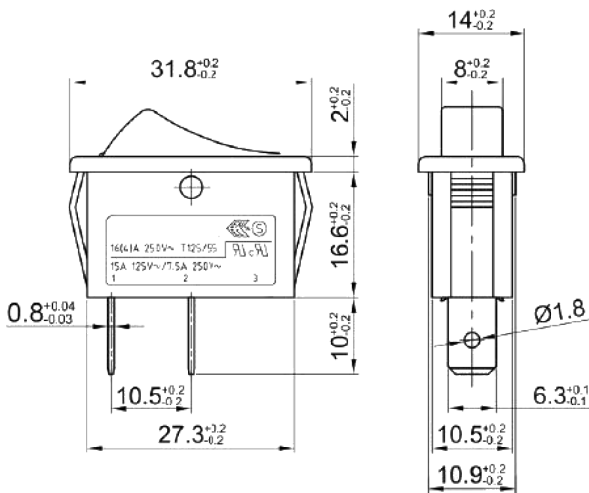


**RoHS
Compliant**



Specification

Rating	: UL C-UL: 15A 125V AC / 7.5A 250V AC ENEC SEMKO: 16(4)A 250V AC T125/55 IE4 Black
Colour	: With Red Flash on end of Rocker SPST/On-off
Switch Action	: 2P
Maximum Contact Resistance	: 30MΩ
Minimum Insulation Resistance	: 500VDC 100MΩ
Withstand Voltage	: AC1500V at 1 min
Electrical Life	: 10,000 Cycles at Full Load
Operation Force	: 400gf to 700gf
Operating Temperature	: -25°C to +125°C



Features

- Housing Material : Nylon #66 UL 94V-2
- Rocker Material : Nylon #66 UL 94V-2
- Terminal Material : Copper alloy AG plated
- Contact Material : Ag-SnO₂In₂O₂(10)/Cu

Dimensions : Millimetres

Part Number Table

Description	Part Number
Rocker Switch, SPST, Red Flash, 250V, 7.5A, Black Body	MP005743

Important Notice : This data sheet and its contents (the "Information") belong to the members of the AVNET group of companies (the "Group") or are licensed to it. No licence is granted for the use of it other than for information purposes in connection with the products to which it relates. No licence of any intellectual property rights is granted. The Information is subject to change without notice and replaces all data sheets previously supplied. The Information supplied is believed to be accurate but the Group assumes no responsibility for its accuracy or completeness, any error in or omission from it or for any use made of it. Users of this data sheet should check for themselves the Information and the suitability of the products for their purpose and not make any assumptions based on information included or omitted. Liability for loss or damage resulting from any reliance on the Information or use of it (including liability resulting from negligence or where the Group was aware of the possibility of such loss or damage arising) is excluded. This will not operate to limit or restrict the Group's liability for death or personal injury resulting from its negligence. Multicomp Pro is the registered trademark of Premier Farnell Limited 2019.