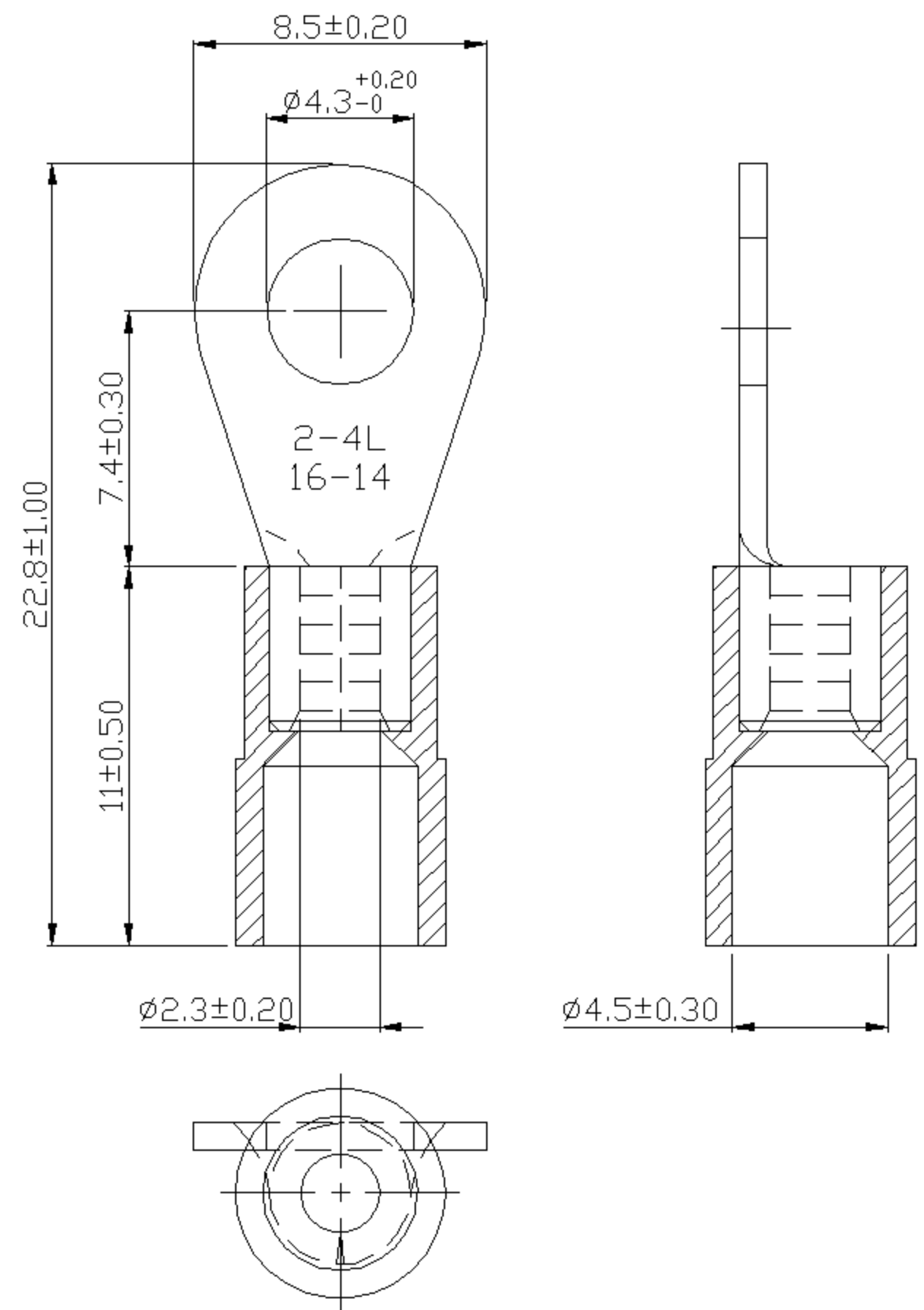


REV	DESCRIPTION	DATE
-----	-------------	------



NOTE:

1. MAXIMUM ELECTRIC CURRENT :

A.W.G.	16	14	
AMP.	18	30	
2. MAXIMUM ELECTRICAL RATING : 75°C 600 VOLTS MAX.
3. INSULATION MATERIAL : VINYL
4. INSULATION COLOR : BLUE
5. TERMINAL MATERIAL : COPPER
6. WIRE RANGE : 16-14 A.W.G.(1.5-2.5 mm²)
7. TERMINALS SURFACE TREATMENT : TIN PLATED
8. TERMINALS THICKNESS : 0.80 mm

Tolerance Unless Otherwise Specified	
0 > 6 mm ± 0.20	ANGLE
6 > 18 mm ± 0.30	0° ° REF ±
18 > 30 mm ± 0.40	° ° ±
30 > 75 mm ± 0.50	° ° ±

NAME	VINYL-INSULATED(MOLDED) RING TERMINALS			UNIT	個	⊙	□
PART NO.	RVYL2-4@	MATERIAL	-----	APPROVE	[Signature]		
NUMBER	KA-951006-C	SCALE	SHEET	PAGE	CHECKED	[Signature]	
DATE	2006/08/29	4/1	1-0	20F2	DRAWN	張馨尹	

