

Datasheet

## RS Pro HSS M6 Hexagon Drive Tap Thread Tap, 37.5 mm length

RS Stock No: **669-9388**



### Product Details

RS Pro hexagon drive thread tap is made of HSS. It comes with a thread size of M6, 1 mm pitch and it is 37.5 mm long. It has 1/4 Inch hex drive taps for hand use and with power tools.

### Features and Benefits

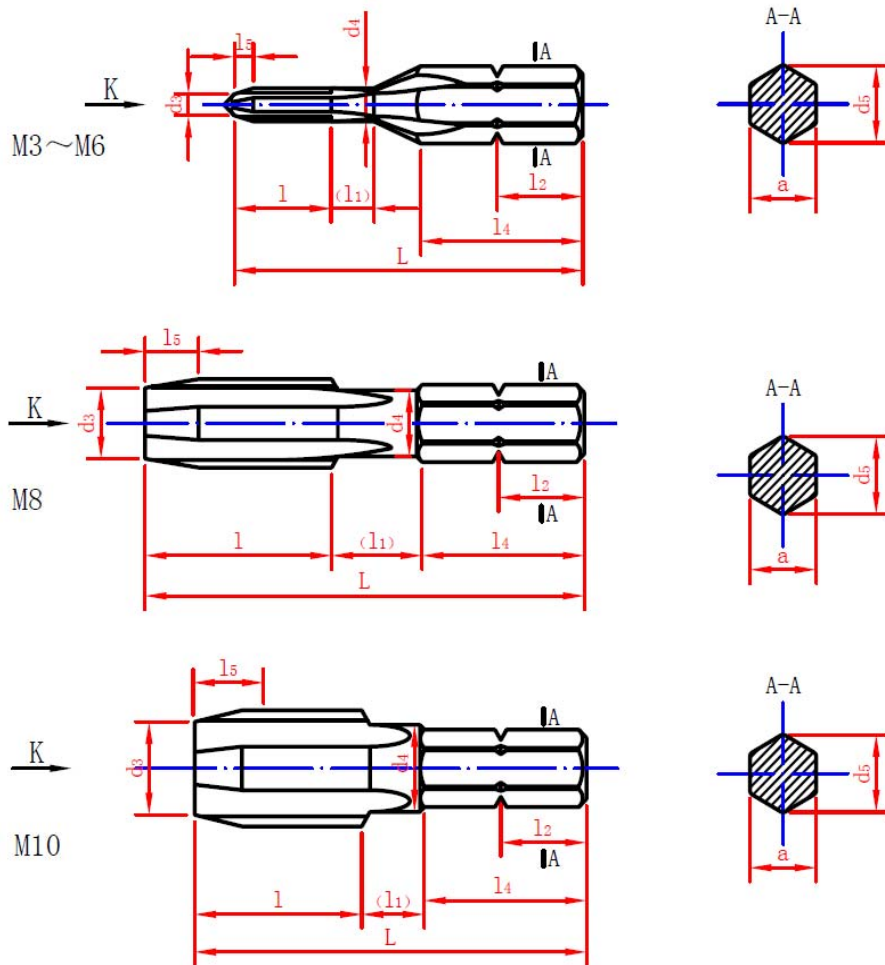
- Metric thread standard
- Overall length of 37.5 mm
- HSS construction
- Hex shank type



ENGLISH

### Specifications:

Material	HSS
Overall Length	37.5 mm
Pitch	1 mm
Shank Type	Hex
Thread Size	M6
Thread Standard	Metric
Type	Hexagon Drive Tap
Number of Flutes	3



**1/4in hexagon drive tap**

RS Stock Number	Manufacturer Part No.	Size	Pitch mm	Overall Length (L - 1.5)mm	Flute Length (l - 1.5)mm	Shank Length mm	Shank A/F mm	No. of flute
6699372	T10500300	M3	0.5	32.5	9	15	6.35	3
6699381	T10500400	M4	0.7	35.0	11	15	6.35	3
6699384	T10500500	M5	0.8	35.0	14	15	6.35	3
6699388	T10500600	M6	1.0	37.5	16	15	6.35	3
6699397	T10500800	M8	1.25	40.4	18	15	6.35	4
6699390	T10501000	M10	1.5	40.5	21	15	6.35	4
6699394	T9061	6pcs (M3-M4-M5-M6-M8-M10)						
6699404	HT9120	6pcs drills(2.5-3.3-4.2-5.0-6.8-8.5) and 6pcs taps(M3-M4-M5-M6-M8-M10)						

Remarks:

Material: HSS M2