



Instruction Manual

IIT 1601

Autoranging Insulation Tester

EN FR IT DE ES

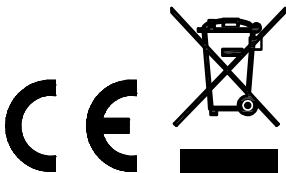
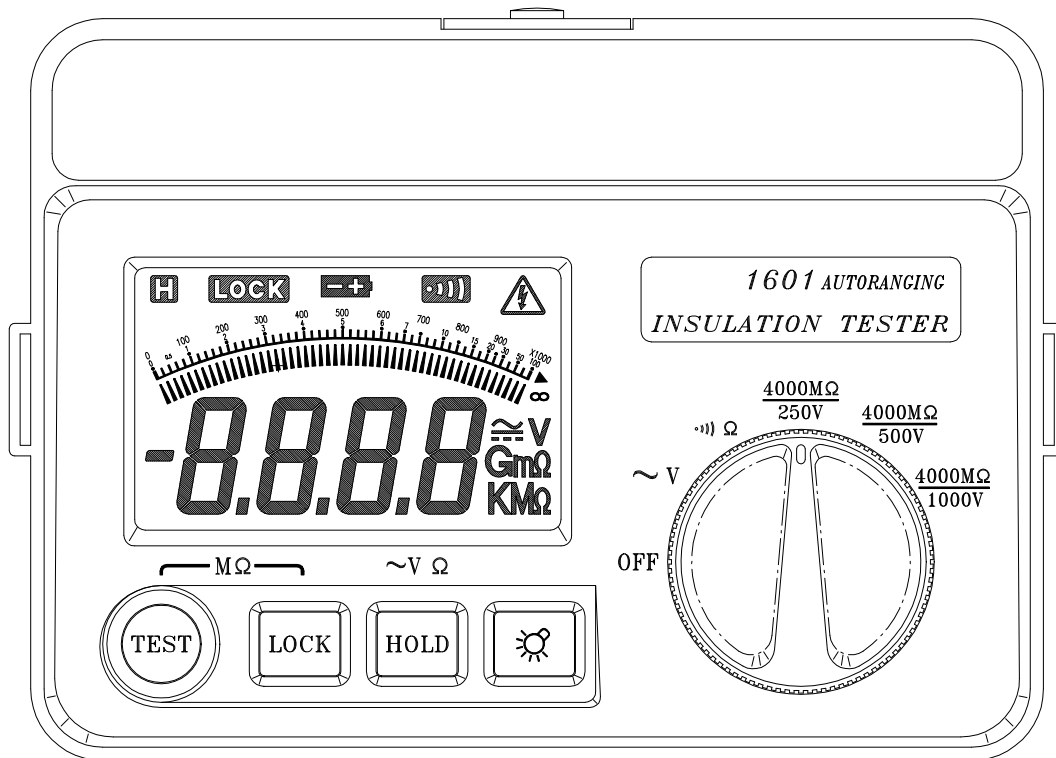


TABLE OF CONTENTS

TITLE	PAGE
SAFETY INFORMATION	1
1. SPECIFICATIONS	2
1-1 General Information	2
1-2 Electrical Specifications	4
2. PARTS & CONTROLS	6
3. BEFORE OPERATION	7
3-1 How to connect test leads	7
3-2 Battery Check & Replacement	7
3-3 Test Leads Check	7
4. AC VOLTAGE MEASUREMENTS	8
5. LOW RESISTANCE (CONTINUITY) MEASUREMENTS.....	8
6. INSULATION RESISTANCE MEASUREMENTS.....	9
7. AUTO POWER OFF	10
8. POWER TOOLS AND SMALL APPLIANCES	11

SAFETY INFORMATION

The circuit under test must be de-energized and isolated before connections are made except for voltage measurement.

Circuit connections must not be touched during a test.

After insulation tests, capacitive circuits must be allowed to be discharged.

Test leads (including crocodile clips), must be in good order, clean and have no broken or cracked insulation.

Do not push test button before all connection and preparation is done. The instrument must only be used by suitably trained and competent persons.

Warnings and Safety symbols:



Caution, refer to this manual before using the meter.



Dangerous voltages.



Meter is protected throughout by double insulation or reinforced insulation.



Complies with IEC1010-1

When servicing, use only specified replacement parts.

1. SPECIFICATIONS

1-1 General Information

Environment conditions :

- ① Installation Category II
- ② Pollution Degree 2
- ③ Altitude up to 2000 meters
- ④ Indoor use only
- ⑤ Relatively humidity 80% max.
- ⑥ Operation Ambient 0° C - 40° C

Maintenance & Cleaning:

- ① Repairs or servicing not covered in this manual should only be performed by qualified personnel.
- ② Periodically wipe the case with a dry cloth.
Do not use abrasives or solvents on this instrument.

Display:

80mm x 50mm LCD Display. 3 3/4 Digital readout with analog bar indication.

Back light Operation:

Press back light button to turn on the LCD back light, it will extinguish after 30 sec. Alternatively one can turn it off before 30 sec by pressing the back light button again.


Measurement Range:

600V/ACV, 400 Ω , 4000M Ω /250V, 4000M Ω /500V,
4000M Ω /1000V


Sampling Rate:

2.5 sample/sec for digital reading.
10 sample/sec for analog indication.

Over Range Indicator:

“——” will be displayed.

Low Battery Indication:

The () is displayed when the battery voltage drops below the operating voltage.

Operating Temperature and Humidity :

0°C to 40°C (32°F to 104°F) below 80% RH
(noncondensing)

Storage Temperature and Humidity:

-10°C to 60°C (14°F to 140°F) below 70% RH
(noncondensing)

Power Source:

DC12V (8 x 1.5V Size “AA” battery or equivalent)

Power Consumption:

Approx. 90mA (4000M Ω /1000V range) (Output open
Circuit)

Approx. 60mA (4000M Ω / 500V range) (Output open
Circuit)

Approx. 45mA (4000M Ω / 250V range) (Output open
Circuit)

Approx. 20mA (ACV OHMS range)

Dimensions:

190 (L) x 140 (W) x 77(H) mm (7.5 x 5.5 x 3 inch)

Weight:

Approx. 900g (2 LB), include battery

Accessories :

Test leads, 8 x AA battery, carrying case, operation
manual, 2 x crocodile clip.

1-2 Electrical Specifications


Accuracies are specified as:

\pm (...% of reading + ...digits) at $23^{\circ}\text{C}\pm 5^{\circ}\text{C}$, below 80% RH.

OHMS & Continuity Sounder

Range	Resolution	Accuracy	Max. open Circuit Voltage	Max. Short Circuit Current	Overload Protection
400 Ω	0.1 Ω	1%+5	12.8V	280mA*	220Vrms

* Minimum Value: 200mA

Range	Resolution	Beeper Active	Max. open Circuit Voltage	Overload Protection
	0.1 Ω	Resistance<40 Ω	12.8V	220Vrms

AC Voltage (40Hz~500Hz)

Range	Resolution	Accuracy (above 1V)	Input Impedance	Overload Protection
600V	0.1V	1.5%+3	4.5M Ω	750Vrms

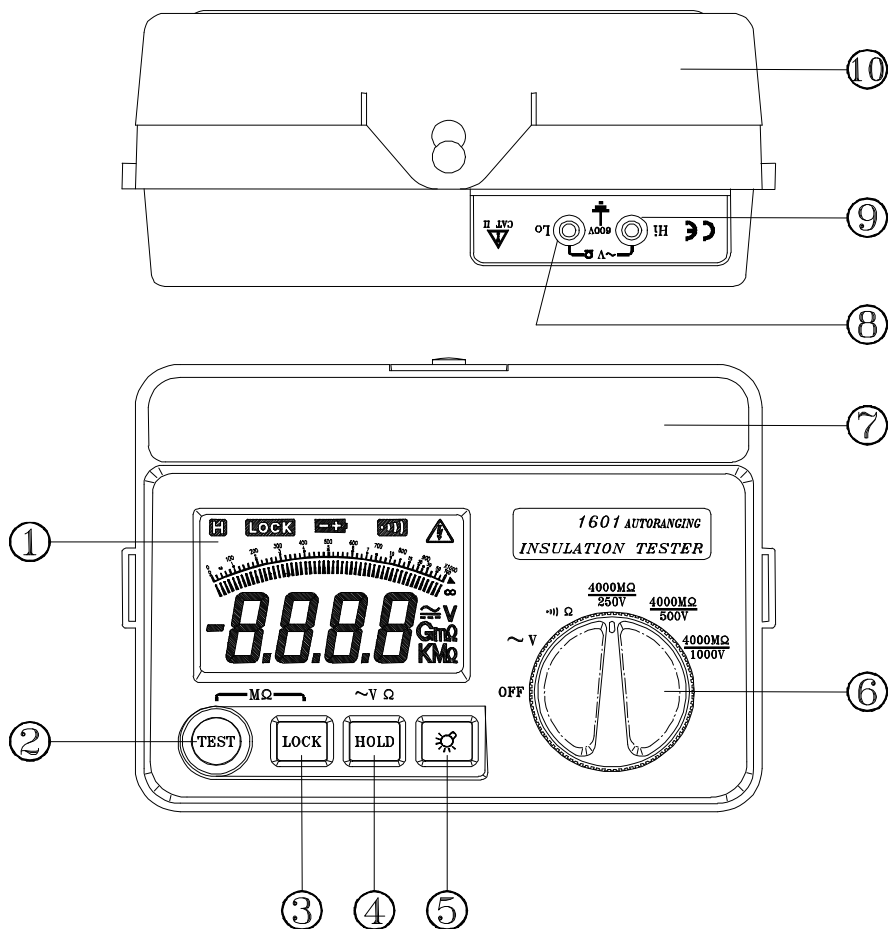
□ Meg OHMS (Auto Range)

Range	Resolution	Accuracy	Terminal Voltage
4MΩ/40MΩ/400MΩ /4000MΩ/250V	1K	3%+5 (<2000M)	250V +20%~-0%
4MΩ/40MΩ/400MΩ /4000MΩ/500V			500V +20%~-0%
4MΩ/40MΩ/400MΩ /4000MΩ/1000V		5%+5 (>2000M)	1000V +10%~-0%

Range	Test Current		Short circuit current
4000MΩ/250V	1mA	250KΩ (load)	≦ 1.5mA
4000MΩ/500V		500KΩ (load)	
4000MΩ/1000V		1MΩ (load)	

2. PARTS & CONTROLS

- ① LCD display
- ② Mega Ohm TEST button
- ③ Mega Ohm TEST power LOCK button
- ④ Data hold button
- ⑤ Back light button Auto power OFF (wake up)
- ⑥ Function selector
- ⑦ Storage compartment
- ⑧ Lo measuring terminal
- ⑨ Hi measuring terminal
- ⑩ Top cover




3. BEFORE OPERATION


3-1 How to connect test leads

Connect the red test lead into the “Hi” terminal and the black lead into the “Lo” terminal.

3-2 Battery Check & Replacement

- a) . If battery power is not sufficient the LCD will display “”. Replacement of 8 x new batteries, type 1.5V size “AA” is required.
- b) . Use a screwdriver to unscrew the screw secured on battery cover, Take out the used batteries and replace 8 x new batteries.
- c) . Replace the battery cover and secure the screw.

3-3 Test Leads Check

Set the range select switch to the 400Ω range. Connect the crocodile clips with the test lead tips, clip crocodile clips together. The indicator should read $<0.5\Omega$. When the leads are not connected the display will read infinity indicated by “”. This will ensure that test leads are in good working condition.

4. AC VOLTAGE MEASUREMENTS

- a). Set the range switch to $\sim V$ position
- b). Connect red test lead to “ Hi ” terminal and black test lead to “ Lo ” terminal.
- c). Connect test leads IN PARALLEL to the circuit being measured.
- d). Read the voltage value on LCD.

5. LOW RESISTANCE (CONTINUITY) MEASUREMENTS

- a). Set the range switch to Ω position.
- b). Connect the red test lead to the HI terminal and black test lead to the Lo terminal.
- c). Connect the tips of the test leads to both ends of the circuit under test and reading is displayed on the LCD.
- d). When the impedance on circuit is below 40Ω , the internal sounder will operate continuously.
- e). Press the **H** button to hold data.
- f). Press **H** again to release data hold operation.

WARNING

Max test voltage=12V, 200mA

Do not use this range to conduct a diode test.

Do not proceed with this test unless the circuit to be tested has an ACV reading of zero.

6. INSULATION RESISTANCE MEASUREMENTS

a). Manual Testing Mode:

Set the selector switch to the test voltage required.

Connect the test leads, first to the instrument, and then the isolated item under test.

Press the test button to activate the test voltage and the reading will be displayed on the display, the internal sounder will operate to warn of high voltage.

When the test button is released the test voltage will be deactivated and the test result will be held automatically.

b). 3 Minutes Test Power Lock Mode:

Set the selector switch to the test voltage required.

Connect the test leads, first to the instrument, and then the isolated item under test.

Press the Lock button to set the testing mode to 3 minute Lock Mode and the "LOCK" symbol will be displayed on the LCD.

Press the TEST button once to begin the 3 minute test period and activate the test voltage. The reading will be shown on the LCD display.

Press the TEST button again to deactivate the test voltage before 3 minutes have elapsed and the reading will be held automatically.

If the testing process is not interrupted within 3 minutes, the test voltage will turn off automatically.

The analog display bar can indicate range up to $10\text{G}\Omega$, when the reading is between $4\text{G}\Omega$ to $10\text{G}\Omega$, the LCD will show “—HI—”, when the resistance is higher than $10\text{G}\Omega$, the LCD will show “—OL—”.

Note: The charge stored in the tester will be discharged automatically when the testing process is finished.

WARNING

Do not proceed with this test unless the ACV reading of the circuit to be tested is Zero.

7. AUTO POWER OFF

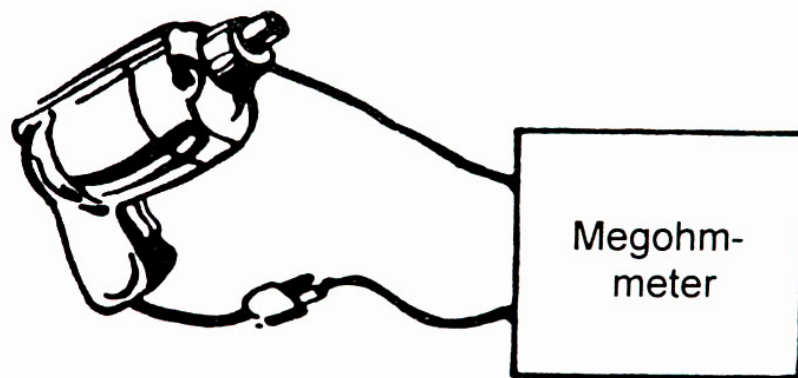
The tester will turn itself off if there are no switch or button operations after 30 minutes.

Note: auto power off consumes low power and it is recommended that the instrument is switched to OFF when not in use. This is particularly important at the end of the working day. By properly switching the instrument OFF the batteries will be conserved.

8. POWER TOOLS AND SMALL APPLIANCES

This test would also apply to other similar equipment that has a line cord. For double insulated power tools, the megohmmeter leads are shown connected to the power cord and to some metal part of the tool (e.g. chuck, blade).

Note: The switch of the device must be in the "ON" position and the main power should be disconnected.

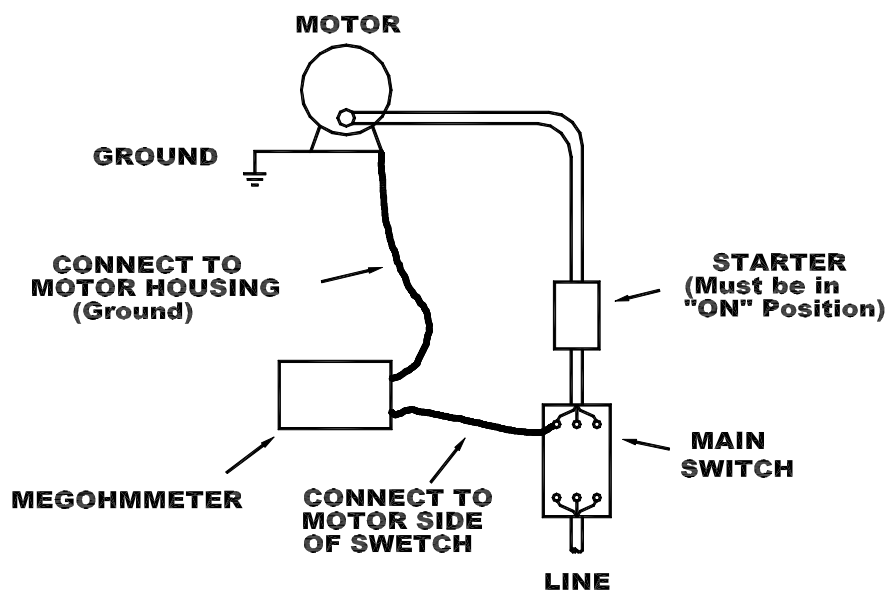


MOTORS

AC-Disconnect the motor from the line by disconnecting the wires at the motor terminals or by opening the main switch. If the main switch is used and the motor also has a starter then the starter must be held, by some means, in the "ON" position. In the latter case, the measured resistance will include the resistance of the motor, wire and all other components between the motor and the main switch. If a weakness is indicated, the motor and other components should be checked individually.

If the motor is disconnected at the motor terminals, connect one megohmmeter lead to the grounded motor housing and the other lead to one of the motor leads.

DC-Disconnect the motor from the line. To test the brush rigging, field coils and armature connect one megohmmeter lead to the grounded motor housing and the other lead to the brush on the commutator. If the resistance measurement indicates a weakness, raise the brushes off the commutator and separately test the armature, field coils and brush rigging by connecting one megohmmeter lead to each of them individually, leaving the other connected to the grounded motor housing. The above also applies to DC Generators.



CABLES

Disconnect the cable from the line and disconnect the opposite end to avoid errors due to leakage from other equipment. Check each conductor to ground and /or lead sheath by connecting one megohmmeter lead to a ground and /or lead sheath and the other megohmmeter lead to each of the conductors in turn. Check insulation resistance between conductors by connecting megohmmeter leads to conductors in pairs.

