

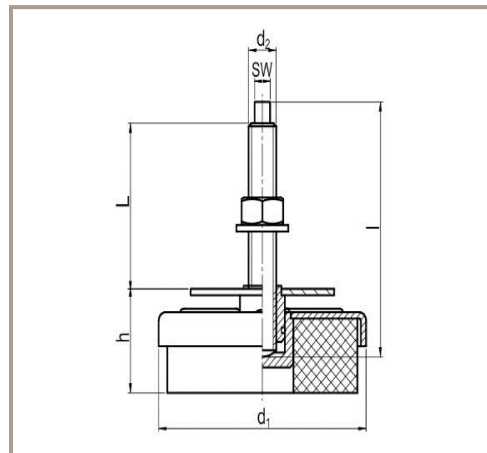


ENGLISH

Height Adjustable Mount with Integral Bolt

ELASTOMER: NATURAL RUBBER, NR

- Operation temperature -40 - +80 °C
- Direct contact of the rubber with oils, alkalines, acids must be avoided.
- Other elastomers like CR, NBR and Silicone Elastomers may be available on special request



METAL PARTS: Mild Steel, Zinc Plated and Painted

Applications:

Suitable for high to Low Frequencies:

Lathes, CNC Milling Machines, Presses etc.

| RS Code | Product Code | d ₁ (mm) | h (mm) | d ₂ | l (mm) | L (mm) | SW | Static Load (Kg) | Dynamic Load 200 rpm (kg) | Dynamic Load 160 rpm (kg) | Dynamic Load < 125 rpm (kg) |
|---------|------------------|------------------------|------------|----------------|-----------|--------------|----|---------------------|---------------------------------|---------------------------------|-----------------------------------|
| 1623255 | KFL16048M20125-3 | 160 | 48 - 53 | M20x1.5 | 170 | 125 - 110 | 12 | 4300 | 800 | 1100 | 2750 |