

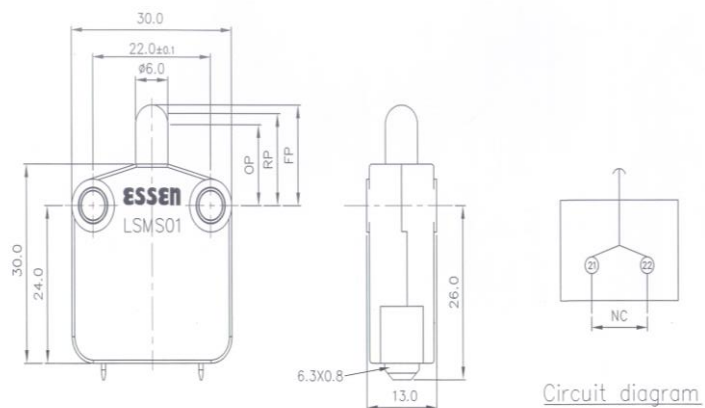
RS PRO Miniature Micro Switch

FEATURES

RS STOCK NUMBER - 2496825

- MINIATURE SIZE, BEST SUITED IN LIMITED SPACE APPLICATIONS.
- TWO CONTACT CONFIGURATIONS FOR APPLICATION FLEXIBILITY.
- PLUNGER ACTUATION.
- CONFORM TO IEC 60947-5-1 STANDARD

- / / APPROVED.



RS Professionally Approved Products bring to you professional quality parts across all product categories. Our product range has been tested by engineers and provides a comparable quality to the leading brands without paying a premium price.

Product Description ATTRIBUTE 1

- *Miniature open type position switches.*
- *Automatic control functions and automatic door interlocking.*
- *Contact arrangement 1 NC.*
- *Snap action mechanism.*
- *Long over travel plunger.*
- *Faston terminals.*

General Specifications

Contact Configuration	SPDT.
Contact Arrangement	1NC,snap action.
Contacts	Silver.
Terminals	Copper alloy, silver plated.
Housing	Fire retardant thermoplastic UL94 V-0.
Plunger	Fire retardant thermoplastic UL94 V-0.

Electrical Specifications

Rated Operational Current (Ie)		
	Load	Rating
	AC-15	6A at 24V – 400V, 50Hz.
	DC-13	10A at 24V DC.
		5A at 48V DC.
		1.5A at 110V DC.
		0.6A at 230V DC.
Thermal Current		16A.
Dielectric Strength		2 KV AC.
Electrical life		1X10 ⁶ Operations.
Mechanical life		1X10 ⁶ Operations.

Mechanical Specifications

Actuating Force (AF)	600gms. (max).
Free Position(FP)	15.3mm.(max.).
Operating Position (OP)	12.3±0.5 mm.
Resetting Position (RP)	14.0±0.5 mm.
Mounting	Two holes are provided for side-mounting the switch to a flat, smooth surface. Suitable screws are M4.
Unit Weight	9.8 gms. Approx.
Salient Feature	Long overtravel plunger actuator. 6.3mm faston (quick connect) terminals.

Operation Environment Specifications

Operating Temperature Range	-20°C to + +85°C.
------------------------------------	-------------------

Protection Category

IP Rating	IP40(enclosure).
------------------	------------------

Approvals

Compliance/Certifications	
----------------------------------	---