

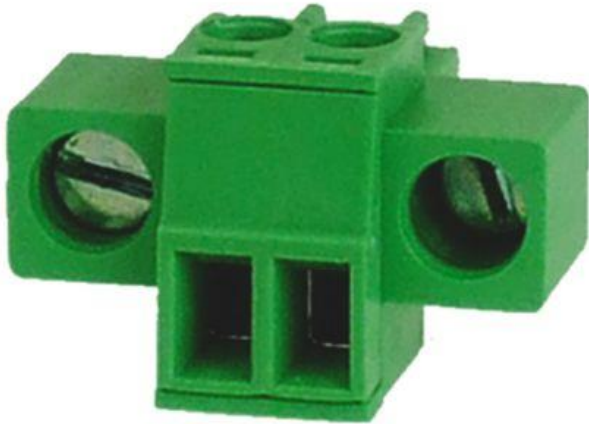


# Datasheet

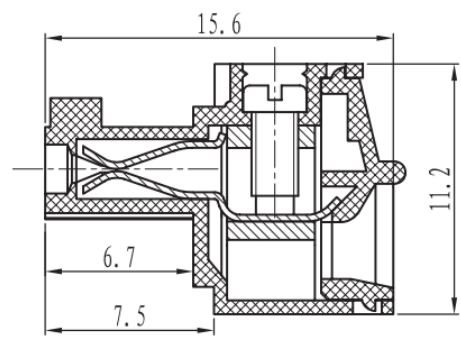
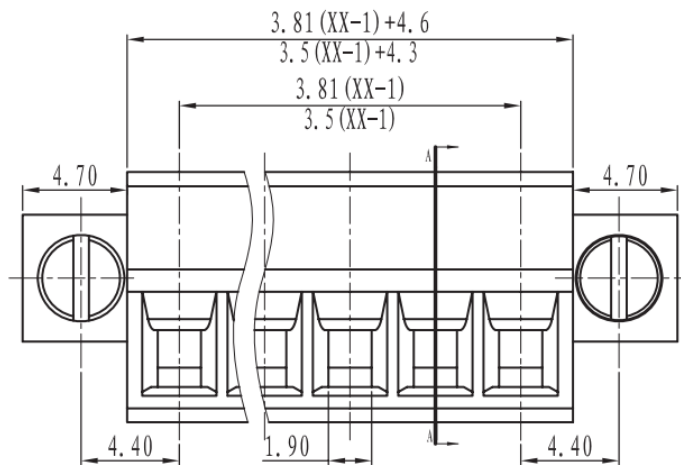
ENGLISH

## New 3.5mm Plug with Flange 8A 2 Way

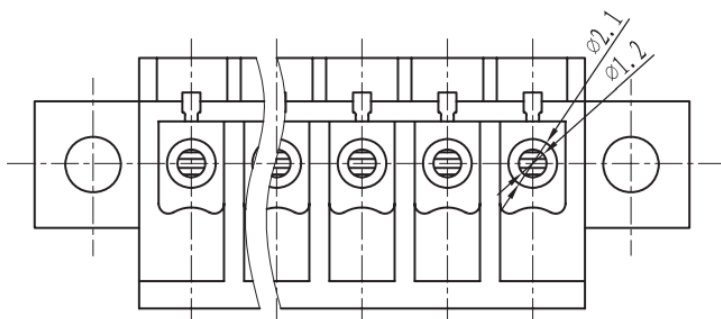
RS Stock 874-5085



### Dimensions: (mm)



SECTION A-A





## Specifications

### Electrical

Standard: UL IEC  
 Rated voltage: 300V 250V  
 Rated current: 8A 10A  
 Contact resistance: 20mΩ  
 Wire range: 28-16AWG 1.5mm<sup>2</sup>  
 Withstanding voltage: AC2000V/1Min  
 Insulation resistance: 500MΩ/DC500V

### Mechanical

Temp.Range: -40° C~+105° C  
 Torque: 0.2Nm(1.71lb`in)  
 Strip length: 6-7mm

### Dimensions

Pitch: 3.81mm/3.5mm  
 Poles: 2P-24P

### Material

Housing: PA66,UL94V-0  
 Screws: M2, steel Zinc plated  
 Wire guard: Brass,Ni plated  
 Clamp: Phosphor bronze,Ni plated

## Tolerances Except As Noted

	linear dimension					fillet	chamfer		∠ short angle sid			≡	—	□	//	⊥	
	over 6	over 30	over 120	over 480			over 6		over 10	over 50	over 120						
variable range	to 6	to 30	to 120	to 480	all	to 6	to	to 10	to 50	to 120	all	to 5	to 30	to 120	to		
tolerance	± 0.1	± 0.2	± 0.3	± 0.5	± 0.9	± 0.2	± 0.5	± 1	1°	30'	20'	10'	0.5	0.025	0.06	0.12	0.4