

FEATURES

- **Application:**
Industry
- **Full port**
- **Connections options:** FxF
- **Chrome plated brass ball for longer life**
- **Silicone-free lubricant on all seals**

RS PRO Brass High Pressure Ball Valve 1 in BSPP 2 Way

RS Stock No.: 733-5182



RS Professionally Approved Products bring to you professional quality parts across all product categories. Our product range has been tested by engineers and provides a comparable quality to the leading brands without paying a premium price.

Product Description

RS PRO range of brass manual ball valves. Manual ball valves are used to operate shut off valves which control water flow and pressure. These quarter turn brass full bore ball valves have a lever handle and are suitable for high temperature hot water services in industrial applications.

Available in a variety of sizes:

733-5170 - Industrial ball valve, lever 1/2 inch

733-5189 - Industrial ball valve, lever 3/4 inch

733-5182 - Industrial ball valve, lever 1 inch

733-5186 - Industrial ball valve, lever 1-1/4 inch

733-5195 - Industrial ball valve, lever 1-1/2 inch

733-5198 - Industrial ball valve, lever 2 inch

General Specifications

Threaded Connection	1 in BSPP
Attachment Type	Threaded
Body Material	Brass
Thread Size	1in
Safe For Use With	Air, Oil, Steam, Water
Type	2 Way
Application	Heating systems; Water treatment; Liquid flow control

Mechanical Specifications

Connection Size	25.4mm
------------------------	--------

Operation Environment Specifications

Working Temperature	-20°C to 150°C
Maximum Working Pressure	40 bar

Approvals

Compliance/Certifications

GOST-R (Russia), Expert Conclusion (Russia), EAC Conforming (Russia), UkrSepro (Ukraine), RoHS Compliant

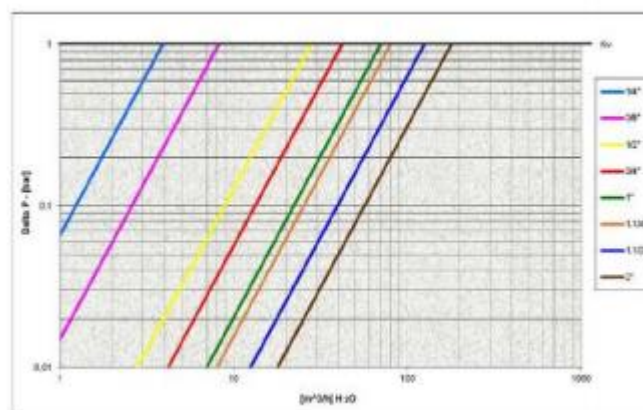


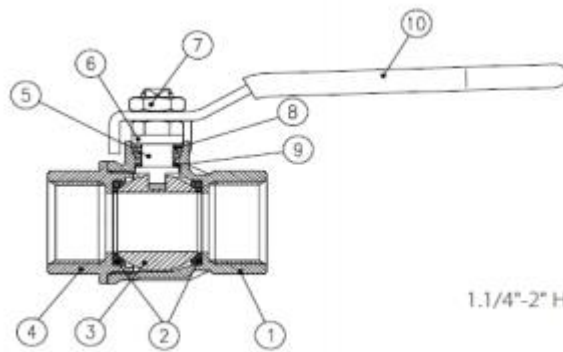
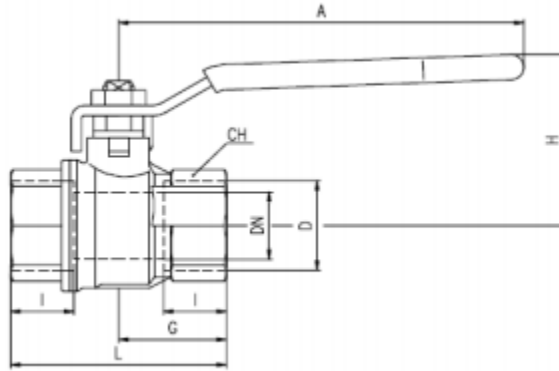


	Part Description	Q.ty	Material
1	Nickel plated body (external treatment)	1	CW617N
2	Seat	2	PTFE
3	Chrome plated ball	1	CW617N
4	Nickel plated end cap (external treatment)	1	CW617N
5	Nickel plated stem packing gland design	1	CW617N
6	Nickel plated gland nut	1	CW617N
7	Geomet® nut	1	CB4FF
8	Packing gland seal	1	PTFE
9	Washer	1	PTFE carbon filled 25%
10	Black PVC coated Geomet® steel handel	1	DD11

Code	S85B01	S85C01	S85D01	S85E01	S85F01	S85G01	S85H01	S85I01
D (Inch)	1/4	3/8	1/2	3/4	1	1 1/4	1 1/2	2
DN(mm)	8	10	15	20	25	32	40	50
l (mm)	12	12	15.5	17	21	23	23	26.5
L (mm)	45	45	59	64	81	93	102	121
G (mm)	22.5	22.5	29.5	32	40.5	46.5	51	60.5
A (mm)	82	82	100	120	120	158	158	158
H (mm)	39.5	39.5	43	50.5	54.5	76	82	89
CH(mm)	20	20	25	31	40	49	54	68.5

Pressure Drop Chart





1.1/4"-2" Hollow ball

Pressure-Temperature Chart

