



ENGLISH

Datasheet

Stock No: 499-1938

RS Pro Manual Ball Valve Stainless Steel 3/8 in BSPP



Product Details

Stainless Steel Quarter-turn L- and T-Port Ball Valves

RS Pro Stainless Steel L and T Port Ball Valves used for controlling flow and are excellent choice for shut-off applications. These ball valves are durable and perform well even after long periods of time. Available in a variety of sizes.

Operating Temperature Range: -15 to +232 C

Pressure Rating WOG: 68 bar

Ball and Stem - AISI 316 Stainless Steel

Gland Nut, Handle, Stop-bolt and Lock Plate - AISI 304 Stainless Steel

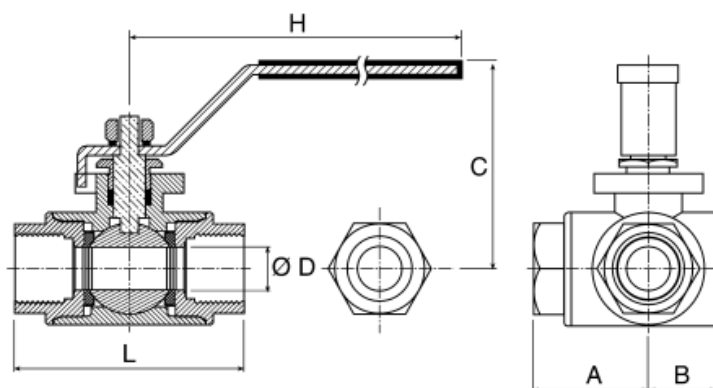
Body Seal, Seal, Thrust Washer and Stem Pack Material - PTFE

Handle Washer-Bolt Material - ASTM A36

For "L" port valves see [RS 4991865](#), [RS 499-1871](#), [RS 499-1887](#), [RS 499-1893](#)

For "T" port valves see [RS 499-1938](#), [RS 499-1944](#), [RS 499-1950](#), [RS 499-1966](#)

| | |
|---|--------------------------|
| Operating Temperature Range | to +232°C |
| Pressure Rating WOG | 68 bar |
| Ball and Stem | AISI 316 Stainless Steel |
| Gland Nut, Handle, Stop-bolt and Lock Plate | AISI 304 Stainless Steel |
| Body Seal, Seal, Thrust Washer and Stem Pack Material | PTFE |
| Handle Washer-Bolt Material | ASTM A36 |



| Port Type | 1 | 2 | 3 | 4 |
|-----------|---|---|---|---|
| L | | | | |
| T | | | | |

Specifications:

| | |
|--------------------------|-----------------|
| Threaded Connection | 3/8 in BSPP |
| Attachment Type | Threaded |
| Body Material | Stainless Steel |
| Thread Size | 3/8in |
| Maximum Working Pressure | 68 bar |
| Ball Material | Stainless Steel |
| Thread Standard | BSPP |
| Handle Material | Stainless Steel |