

Datasheet

## Time-Lag Ceramic Tube Fuse, 2-15A, 6.3x32mm

Stock No: 1778045, 1778046, 1778047, 1778053

RS Pro



### Specifications:

#### Materials

Tube (Body): Non-Transparent ceramic tube fuse. No breaking or deformation is allowed.

Two brass end caps: Made of brass of good conductivity.

Coating of brass caps: Plating the surface with nickel. If the indication is added with "S", it needs to be plated with silver.

#### Interrupting Ratings

0.1A~30A: 10000 amperes at 125V AC

1.25A~3.5A: 100 amperes at 250V AC

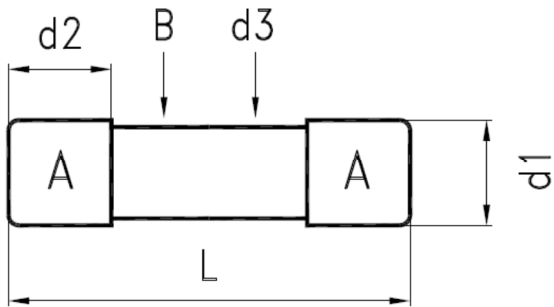
3.75A~10A: 200 amperes at 250V AC

10.1A~15A: 750 amperes at 250V AC

#### Operating Temperature

-55°C to +125°C

**Drawing (mm):**



NO.	Part Name		Volume
A	Brass Cap	Nickel Plating	2
B	Ceramic Tube	Non-Transparent Ceramic Tube	1
d1	Dia. of Cap	6.35±0.1mm	
d2	Height of Cap	6.45±0.1mm	
d3	Dia. of Ceramic	5.72±0.2mm	
L	Body of Fuse	31.75±0.75mm	

**Electrical Characteristic:**

Rating	100% Rating		135% Rating		200% Rating	
	Min.	Max.	Min.	Max.	Min.	Max.
0.1A~30A	4 Hrs			1 Hrs	2 sec	120 sec

Approvals	Mark	Nominal Resistance	Nominal Melting I <sup>2</sup> t
		Cold Ohms	A <sup>2</sup> Sec
2	A	0.1993	7.8624
4	A	0.0592	40.320
10	A	0.0098	270.00
15	A	0.0054	777.44



ENGLISH

## Reference:

Stock No	Rating amperes
1778045	2A 250V
1778046	4A 250V
1778047	10A 250V
1778053	15A 250V