

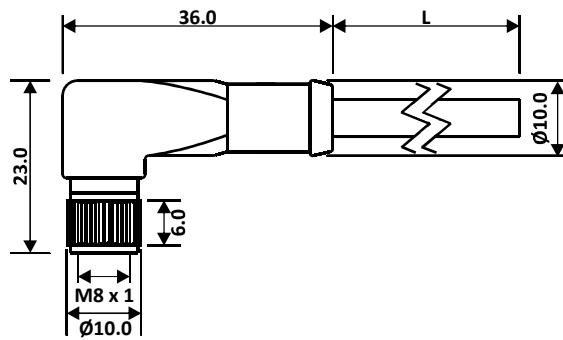


ENGLISH

# Datasheet

## Stock No. 1863115

### RS PRO Connector Assembly



M08 Female Right Angled

All dimensions are in mm.

#### General Specification

Rated Operational Voltage	30 V
Current Rating	4A
Insulation Resistance	$\geq 100 \text{ M}\Omega$
Temperature Range	-25°C ... +75°C
Degree of Protection	IP67

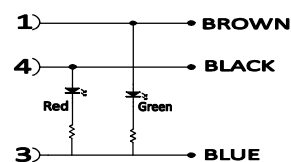
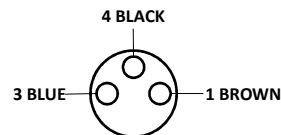
#### Material Specification

Grip Material	PU
Contact	Cu-Zn
Contact Plating	Gold Plated
Contact Carrier	Nylon 66
Grip Colour	Transparent/Orange
Coupling Nut	Brass Nickel-Plated

#### Cable Specification

Cable Length-L	5 m
Cable Type	3 Core PUR Multi Strand
Sheath Colour	Black
Cross Section of Wire	0.34 sq. mm
Core Dia	1.4 mm
Cable Dia	$4.5 \pm 0.1 \text{ mm}$
Termination	Partially Stripped
LED Indication	Power - Green Output - Red
Output Type	PNP

#### Pin Assignment



Type Approved  
Safety  
Regular Production  
Surveillance

www.tuv.com  
ID: 1111210482



Specifications are subject to change without notice.