

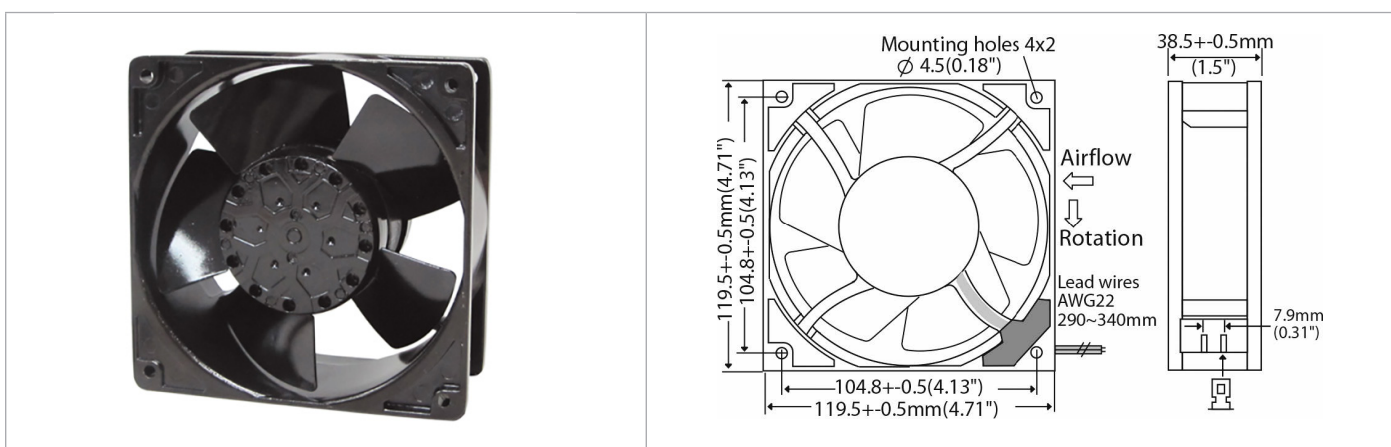


Datasheet

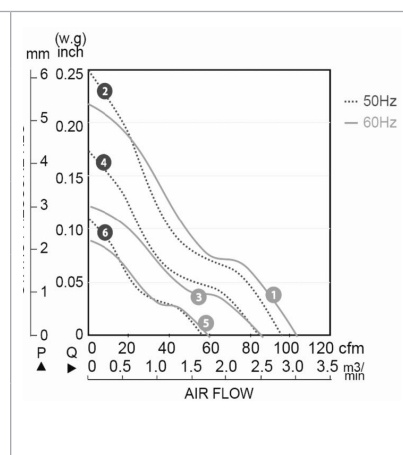
RS PRO AC AXIAL FAN 230VAC 120×38mm IP55 METAL

Stock number: 175-9808

EN



Frame	Diecast Aluminum	<u>Operating Temperature</u> Ball Bearing -30C ~ +80C (non-condensing) Storage Temp -40C ~ +100C
Impeller	Metal Alloy	<u>Life Expectancy</u> Ball Bearing 50,000 hours (L10 at 55C)
Connection	Terminals	<u>Environmental Protection</u> IP55
Motor	Shaded pole, impedance protected	Weight: ~ 0.589 kg (1.3 lbs.)
Bearing System	Dual ball bearing	m0
Insulation Resistance	>100M ohm between lead-wire and frame (500VDC)	
Dielectric Strength	1 min at 1500 VAC, 50/60Hz	



Model Number	175-9808
Nominal Voltage	230 VAC
Voltage Range	200-240
Rated Power	21 W
Rated Speed (RPM)	2650
Airflow - CFM	90
Noise Level - (dB)	46
Max. Static Pressure	0.25" H ₂ O