

Datasheet

RS PRO NYLON-INSULATED RING

TERMINALS

Stock number: 178-8636

MAXIMUM ELECTRIC CURRENT:

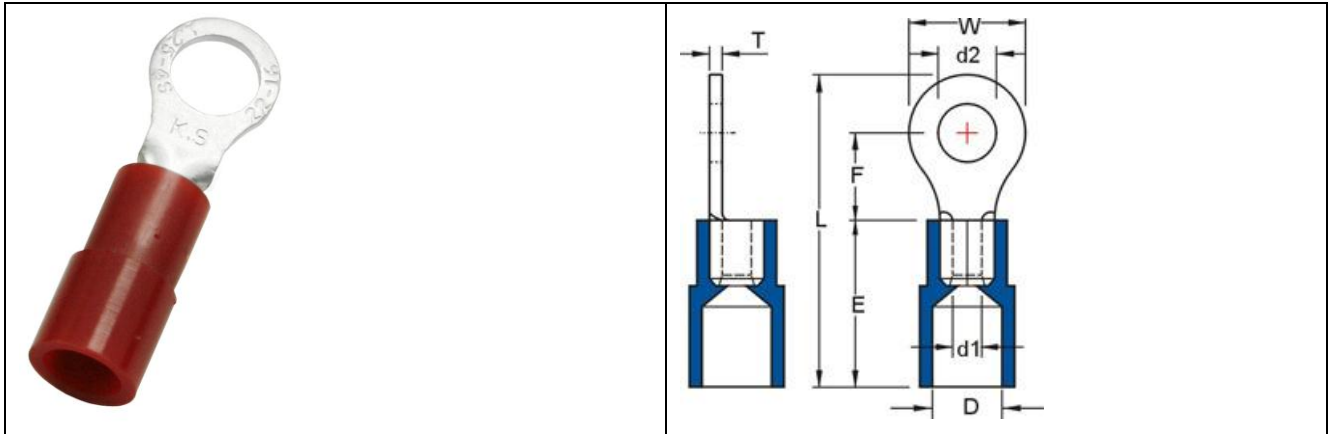
A.W.G.	22	20	18	16
AMP.	9	12	17	18

MAXIMUM ELECTRICAL RATING: 105° C 600 VOLTS MAX.

INSULATION MATERIAL: NYLON

TERMINAL MATERIAL: COPPER

INSULATION COLOR: RED



WIRE RANGE A.W.G. mm ²	ITEM NO. BUTTED SEAM	STUD SIZE d2	DIMENSION inch(mm)							
			W	F	L	E	D	d1	T	
22-16 A.W.G.	178-8636	#8	0.169	0.26	0.248	0.803	0.433	0.157	0.067	0.03
0.5-1.5 mm ²			4.3	6.6	6.3	20.4	11	4.000	1.7	0.75