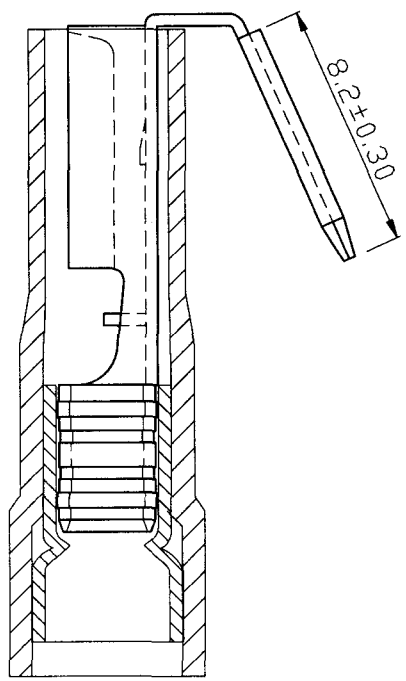
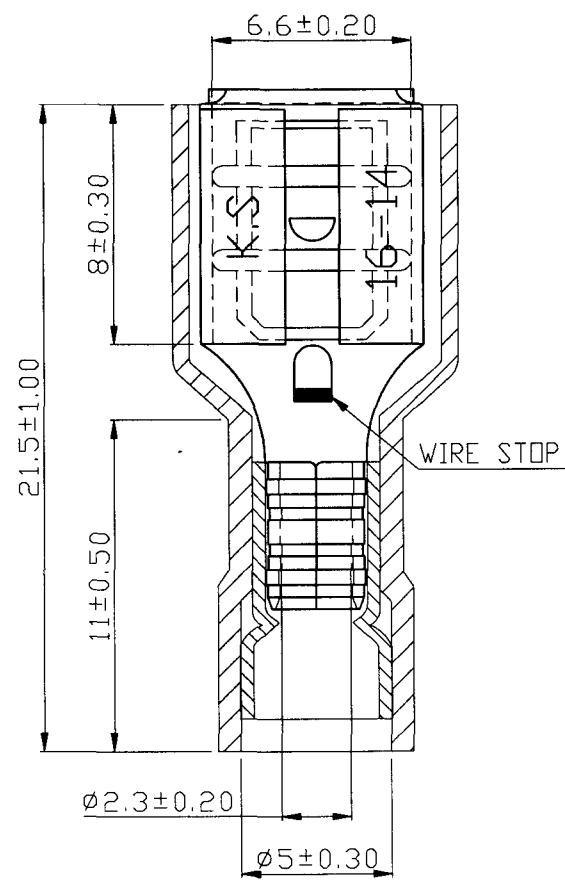
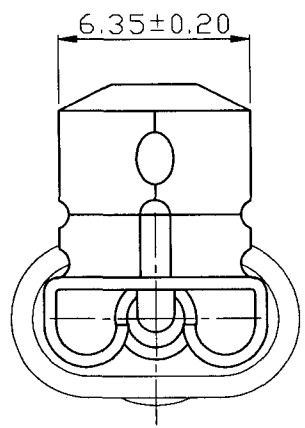


REV	DESCRIPTION	DATE
-----	-------------	------



NOTE :

1. MAXIMUM ELECTRIC CURRENT :

A.W.G.	16	14	
AMP.	10	15	
2. MAXIMUM ELECTRICAL RATING : 105°C 600 VOLTS MAX.
3. INSULATION MATERIAL : NYLON
4. INSULATION COLOR : BLUE
5. TERMINAL MATERIAL : BRASS
6. WIRE RANGE : 16-14 A.W.G. (1.5-2.5 mm³)
7. NEMA TAB : 0.032 inch * 0.250 inch (0.8 mm * 6.35 mm)
8. DOUBLE CRIMP : WITH COPPER SLEEVE ON BARREL
9. TERMINAL SURFACE TREATMENT : TIN PLATED
10. TERMINAL THICKNESS : 0.40 mm

Tolerance Unless Otherwise Specified	
0 > 6 mm ± 0.20	ANGLE
6 > 18 mm ± 0.30	0° ° REF ±
18 > 30 mm ± 0.40	° ° ±
30 > 75 mm ± 0.50	° ° ±

NAME	NYLON-FULLY INSULATED DOUBLE CRIMP PIGGY BACK DISCONNECTORS	UNIT	'mm	
PART NO.	PBDFNYD2-250	MATERIAL	-----	APPROVE
NUMBER	KA-96724-C	SCALE	SHEET	PAGE
DATE	2007/08/01	4/1	1-0	10F2
				DRAWN



張馨尹
張馨尹