

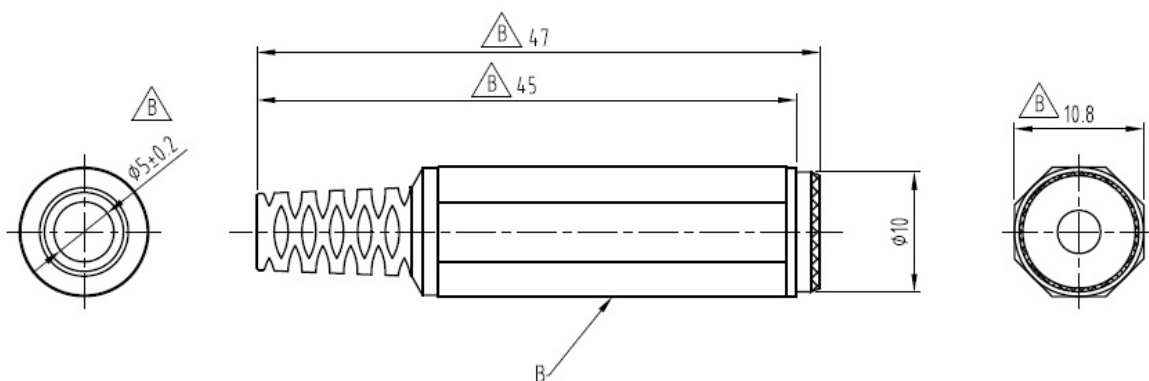


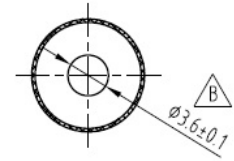
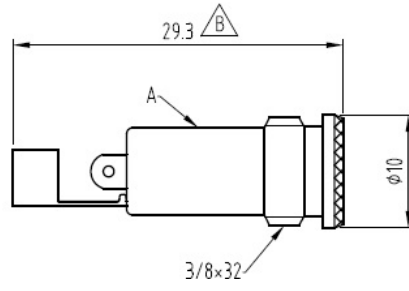
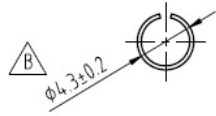
Datasheet

RS PRO 3.5mm Mono Cable Mount Jack Socket

Stock number: 392-611

EN





All Dimensions are Millimeters

Unless Otherwise Specified Tolerances

0.5~6= ± 0.1

6~30= ± 0.3

30~120= ± 0.5

120~315= ± 0.8

ANGLES= $\pm 3^\circ$

B	PLASTIC CAP	1	PE	Black					
A	3.5MJ BODY	1	BRASS	Nickel					
NO	Description	Unit	Materials	Finish/Color	Part NO.	Scale	2 : 1	Issue	B