

Axial AC Fan

120mm × 120mm × 38mm



RoHS
Compliant



Characteristics

Motor Design	: Reliable Shaded-Pole Motor Construction
Insulation Resistance	: 500MΩ minimum at 500V DC
Dielectric Strength	: 1800V AC for one second
Motor Protection	: Impedance protected
Noise Level	: Measured in an semi-an echoic chamber with background noise level below 15dB(A). The fan is running in free air with microphone at a distance of one meter from the fan intake.
Tolerances	: ±15% on rated power and current
Air Performance	: Measured by a double chamber. The value are recorded when the fan speed is stabilized at rated voltage.

Specifications

Rated Voltage	: 115V AC 50/60 Hz
Operating Voltage Range	: 85V AC to 125V AC
Starting Voltage	: 85V AC
Rated Speed	: 2550/2900 RPM ±10%
Air Delivery	: 85/105 CFM
Static Pressure	: 0.25/0.3 Inch-H ₂ O
Rated Current	: 0.21/0.18 AMP
Input Power	: 20/18 Watts
Noise Level	: 43/48 dB(A)
Direction of Rotation	: Counter-clockwise viewed front of fan blade
Operating Temperature	: -10°C to +70°C
Storage Temperature	: -40°C to +70°C
Bearing System	: Lubricated sleeve bearing system
Weight	: 550g
Safety	: TUV/UL/CUR/CE Approvals
Protection	: Automatic Restart Capability

Note: In a situation where the fan is locked by an external force while the electricity is on, an increase in coil temperature will be prevented by temporarily turning off the electrical power to the motor. The fan will automatically restart when the locked rotor condition is released

Polarity Protection

Material

Frame	: Die-Cast Aluminium
Impeller	: Thermoplastic PBT



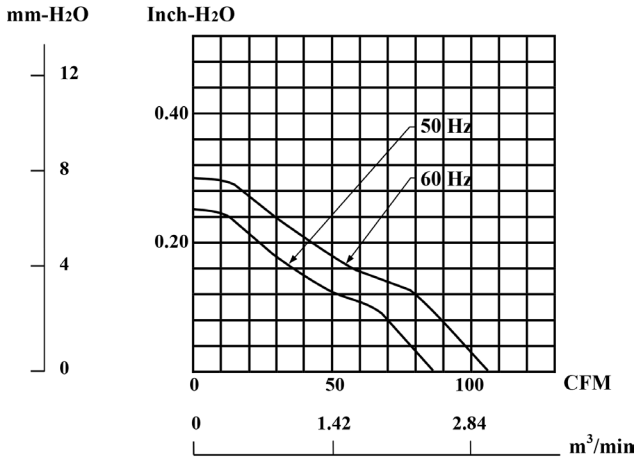
Axial AC Fan

120mm × 120mm × 38mm

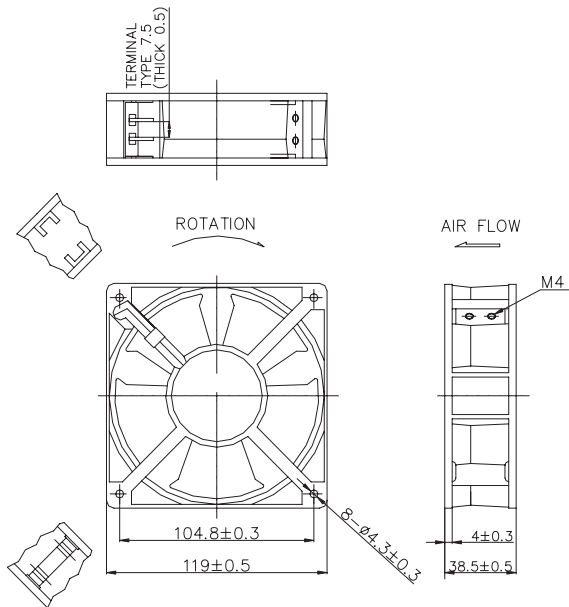


Performance Curves

STATIC
PRESSURE



Dimensions



Part Number Table

Description	Part Number
Axial Fan, 120mm × 120mm × 38mm, 115V AC	MC19679

Important Notice : This data sheet and its contents (the "Information") belong to the members of the AVNET group of companies (the "Group") or are licensed to it. No licence is granted for the use of it other than for information purposes in connection with the products to which it relates. No licence of any intellectual property rights is granted. The Information is subject to change without notice and replaces all data sheets previously supplied. The Information supplied is believed to be accurate but the Group assumes no responsibility for its accuracy or completeness, any error in or omission from it or for any use made of it. Users of this data sheet should check for themselves the Information and the suitability of the products for their purpose and not make any assumptions based on information included or omitted. Liability for loss or damage resulting from any reliance on the Information or use of it (including liability resulting from negligence or where the Group was aware of the possibility of such loss or damage arising) is excluded. This will not operate to limit or restrict the Group's liability for death or personal injury resulting from its negligence. Multicomp is the registered trademark of Premier Farnell Limited 2019.

Newark.com/exclusive-brands
Farnell.com/exclusive-brands
Element14.com/exclusive-brands

