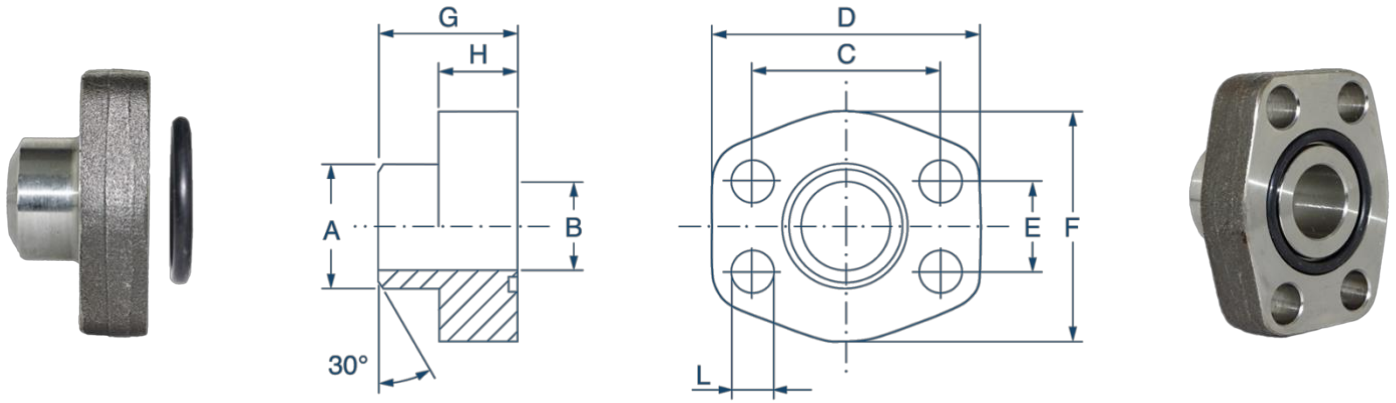


WELD ON FLANGE SCH40 O-RING SIDE



SCH 40 Series 3000

Working Pressure Kg/cm2	Size	Type	A	B	C	D	E	F	G	H	L	Screws (Metric)	Screws (UNC)	Or type	Weight (Kg)
345	1/2"	PAFS080B15.8	21,5	15,8	38,10	57	17,48	46	36	16	9	M8x30	5/16x1"1/4	4075	0,24
345	1/2" (3/8")	PAFS080B38	17,5	15,8	38,10	57	17,48	46	36	16	9	M8x30	5/16x1"1/4	4075	0,22
345	3/4"	PAFS100B20.9	28,0	20,9	47,63	65	22,23	50	36	18	11	M10x35	3/8x1"1/2	4100	0,35
345	1"	PAFS102B26.6	34,0	26,6	52,37	70	26,19	55	38	18	11	M10x35	3/8x1"1/2	4131	0,41
276	1"1/4	PAFS104B35.1	42,8	35,1	58,72	79	30,18	68	41	21	11,5	M10x40	7/16x1"3/4	4150	0,64
207	1"1/2	PAFS106B40.9	48,6	40,9	69,85	93	35,71	78	44	25	13,5	M12x45	1/2x1"3/4	4187	0,98
207	2"	PAFS108B52.5	61,0	52,5	77,77	102	42,88	90	45	25	13,5	M12x45	1/2x1"3/4	4225	1,14
172	2"1/2	PAFS110B62	77,0	62	88,90	114	50,80	105	50	25	13,5	M12x45	1/2x1"3/4	4275	1,55
138	3"	PAFS112B77.9	92,0	77,9	106,38	134	61,93	124	50	27	17,5	M16x50	5/8x2"	4337	2,33
34	3"1/2	PAFS114B90.1	103,0	90,1	120,65	152	69,85	136	48	27	17,5	M16x50	5/8x2"	4387	2,40
34	4"	PAFS116B102	115,5	102	130,18	162	77,77	146	48	27	17,5	M16x50	5/8x2"	4437	2,85
34	5"	PAFS118B128.2	142,0	128,2	152,40	184	92,08	180	50	28	17,5	M16x50	5/8x2"	4537	5,20