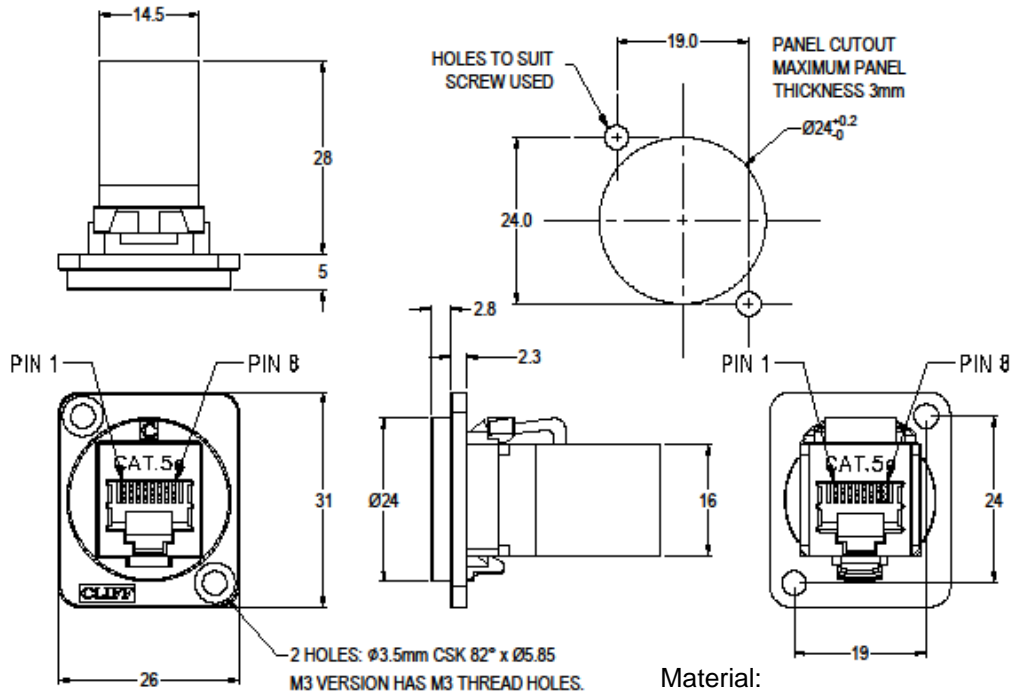


Datasheet

RS PRO CAT5e RJ45 SHIELDED METAL M3 FT CONNECTOR

Stock No: 2035595, 2035596



Performance:

- 1.T568A & T568B wiring.
- 2.Meet ISO/IEC 11801 and EN50173
- 3.Meet ANSI/TIA/EIA 568B.2

rspro.com

Material:

- 1.RJ45 In-Line Coupler: PC/ABS, UL 94V-0, Black colour
- 2.RJ45 In-Line Coupler Contact: Phosphor Bronze, 3-50 micro inches gold plating over nickel plate.
- 3.PCB: FR4, UL 94V-0
- 4.Frame: Nickel or black plated zinc diecast

Features & Benefits:

- Fits standard XLR Ø24mm cutout.
- No soldering or punch termination. Use standard cable for each connector style.
- Front or rear mounted.
- Low rear profile

General:

Please note: Functionality is affected by cable quality, length and cable wiring configuration.

Other models available:

Part No.

8741217	Cat5e RJ45 Shielded Black plastic frame, CSK holes
9075656	Cat5e RJ45 Shielded Nickel plated metal frame, CSK holes
9160252	Cat5e RJ45 Shielded Black metal frame, CSK holes
8741260	Cat5e RJ45 Shielded Black plastic frame, PLAIN holes



rspro.com

