

Thick Film Chip Resistors

0201



Scope

This specification applies to all sizes of rectangular-type fixed chip resistors with Ruthenium-base as material.

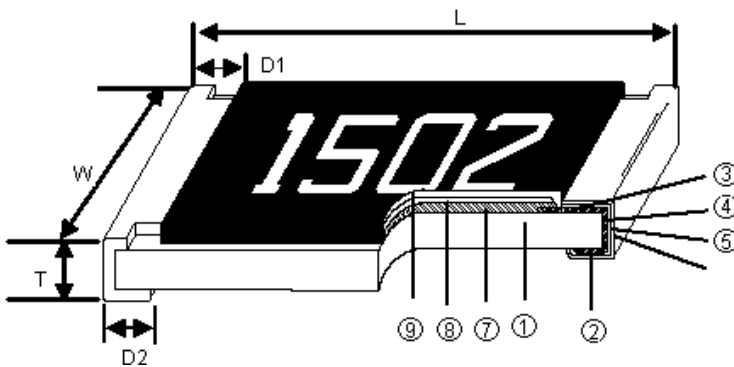
Features:

- Small size and light weight
- Highly reliable multilayer electrode construction
- Compatible with all soldering process
- AEC-Q200 Compliance

Applications:

- Telecommunication equipment
- Radio and tape recorders, TV tuners
- Video cameras, watches, pocket calculators
- Computers, instruments
- Medical and military equipment

Construction



1	Alumina Substrate
2	Bottom Electrode (Ag)
3	Top Electrode (Ag-Pd)
4	Edge Electrode (NiCr)
5	Barrier Layer (Ni)
6	External Electrode (Sn)
7	Resistor Layer (RuO ₂ /Ag)
8	Primary Overcoat (Glass)
9	Secondary Overcoat (Epoxy)

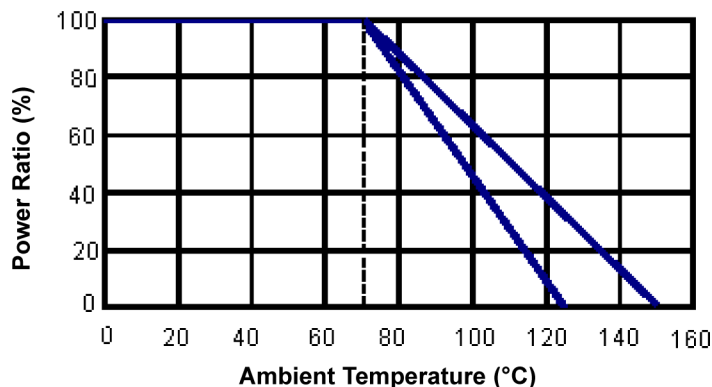
Dimensions

Type	L	W	T	D1	D2	Weight (g) (1,000 pcs)
MC0201	0.6 ±0.03	0.3 ±0.03	0.23 ±0.03	0.15 ±0.05	0.15 ±0.05	0.15

Dimensions : Millimetres

Thick Film Chip Resistors 0201

Derating Curve



Standard Electrical Specifications

Item Type	Power Rating at 70°C Jumper Rated Current	Operating Temperature Range	Max. Operating Voltage	Max. Overload Voltage	Resistance Range		TCR (PPM/°C)
					±1%	±5%	
MC0201	1/20W	-55 to +125°C	25V	50V	1Ω to 10MΩ		±200
Jumper	1A				0Ω (<50mΩ)		-

Environmental Characteristics

Item	Requirements			Test Method
	±1% and Below	±5%	Jumper	
Temperature Coefficient of Resistance (TCR.)	As Specification			-55°C to +125°C, 25° is the reference temperature
Short Time Overload	±(1% + 0.05Ω)	±(2% + 0.05Ω)	<50mΩ	RCWV* 2.5 or Maximum overload voltage for 5 seconds, 2 seconds for high power series
Insulation Resistance	≥10G			Maximum overload voltage for 1 minute
Endurance	±(2% + 0.10Ω)	±(3.0% + 0.10Ω)	<100mΩ	70 ±2°C, Maximum working voltage for 1,000 hours with 1.5 hours "ON" and 0.5 hours "OFF"
Damp Heat with Load				40 ±2°C, 90 to 95% R.H. Maximum working voltage for 1,000 hours with 1.5 hours "ON" and 0.5 hours "OFF"

Thick Film Chip Resistors

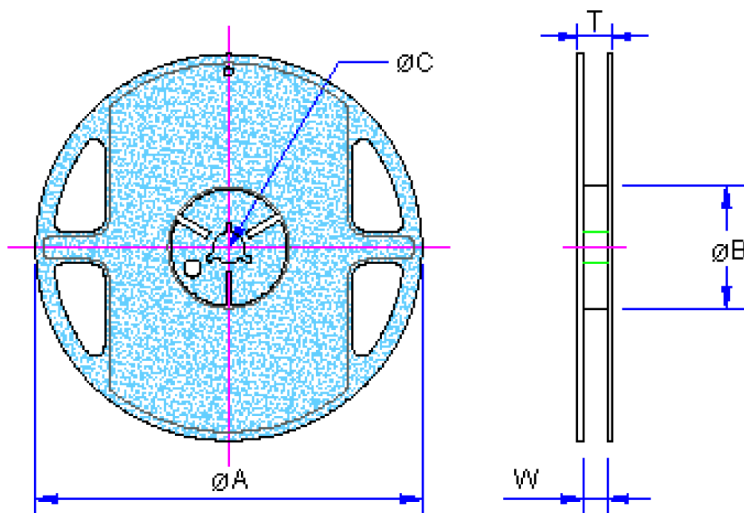
0201

Environmental Characteristics

Item	Requirements			Test Method
	±1% and Below	±5%	Jumper	
Dry Heat	±(1% + 0.05Ω)	±(1.5% + 0.1Ω)	<50mΩ	at +125/+155°C for 1,000 hrs
Bending Strength		±(1% + 0.05Ω)		Bending once for 5 seconds 2010, 2512 sizes: 2mm Other sizes: 3mm
Solderability	95% minimum coverage			245 ±5°C for 3 seconds
Resistance to Soldering Heat	±(0.5% + 0.05Ω)	±(1% + 0.05Ω)	<50mΩ	260 ±5°C for 10 seconds
Voltage Proof	No breakdown or flashover			1.42 times RCWV (RMS) for 1 minute
Leaching	Individual leaching area ≤5% Total leaching area ≤10%			260 ±5°C for 30 seconds
Rapid Change of Temperature	±(0.5% + 0.05Ω)	±(1% + 0.05Ω)	<50mΩ	-55°C to +125/+155°C, 5 cycles

Reference Standards: IEC 60115-1, 60068-2-58; JIS-C 5201-1

Storage Temperature: 25 ±3°C; Humidity <80%RH



Thick Film Chip Resistors

0201



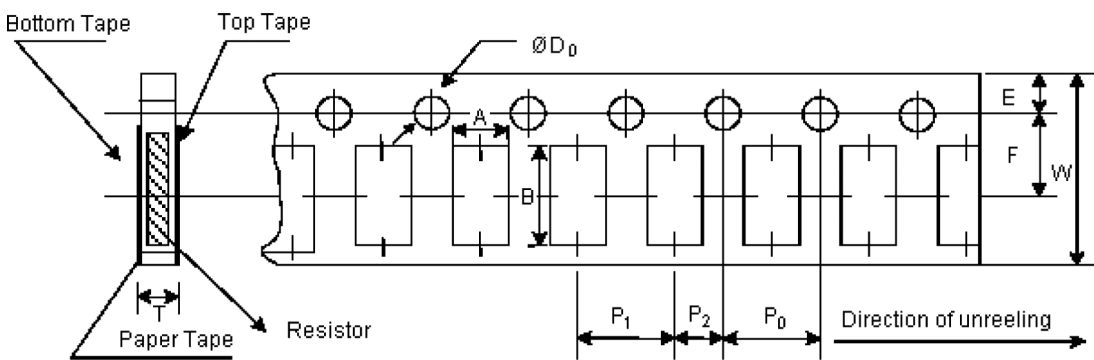
Packaging

Reel Specifications and Packaging Quantity

Type	Packaging Quantity		Tape Width (mm)	Reel Dia. (Inch)	ØA	ØB	ØC	W	T
MC0201	Paper	15K	8	7	178.5 ±1.5	60 + 1/-0	13.0 ±0.2	9.0 ±0.5	12.5 ±0.5
	Paper	10K							
		20K							
		40K							

Dimensions : Millimetres

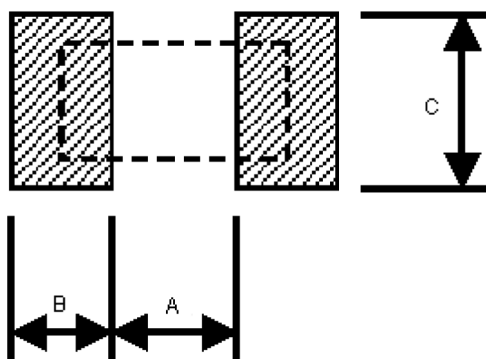
Paper Tape Specifications



Type	A	B	W	E	F	P0	P1	P2	ØD ₀	T
MC0201	0.38 ±0.05	0.68 ±0.05	8 ±0.2	1.75 ±0.1	3.5 ±0.05	4 ±0.1	2 ±0.05	2 ±0.05	1.5 ±0.1,-0	0.42 ±0.2

Dimensions : Millimetres

Recommend Land Pattern



Type	A	B	C
MC0201	0.3	0.25	0.3

Dimensions : Millimetres

Newark.com/multicomp-pro
 Farnell.com/multicomp-pro
 Element14.com/multicomp-pro



Thick Film Chip Resistors

0201

multicomp PRO

Part Number Table

Description	Part Number
Resistor, 0201, 1%, 10M	MC0201L6F1005SE
Resistor, 0201, 1%, 102R	MC0201L6F1020SE
Resistor, 0201, 1%, 1K02	MC0201L6F1021SE
Resistor, 0201, 1%, 10K2	MC0201L6F1022SE
Resistor, 0201, 1%, 102K	MC0201L6F1023SE
Resistor, 0201, 1%, 105R	MC0201L6F1050SE
Resistor, 0201, 1%, 1K05	MC0201L6F1051SE
Resistor, 0201, 1%, 10K5	MC0201L6F1052SE
Resistor, 0201, 1%, 105K	MC0201L6F1053SE
Resistor, 0201, 1%, 107R	MC0201L6F1070SE
Resistor, 0201, 1%, 1K07	MC0201L6F1071SE
Resistor, 0201, 1%, 10K7	MC0201L6F1072SE
Resistor, 0201, 1%, 107K	MC0201L6F1073SE
Resistor, 0201, 1%, 10R	MC0201L6F10R0SE
Resistor, 0201, 1%, 10R2	MC0201L6F10R2SE
Resistor, 0201, 1%, 10R5	MC0201L6F10R5SE
Resistor, 0201, 1%, 10R7	MC0201L6F10R7SE
Resistor, 0201, 1%, 113R	MC0201L6F1130SE
Resistor, 0201, 1%, 11K3	MC0201L6F1132SE
Resistor, 0201, 1%, 113K	MC0201L6F1133SE
Resistor, 0201, 1%, 115R	MC0201L6F1150SE
Resistor, 0201, 1%, 11K5	MC0201L6F1152SE
Resistor, 0201, 1%, 115K	MC0201L6F1153SE
Resistor, 0201, 1%, 118R	MC0201L6F1180SE
Resistor, 0201, 1%, 11K8	MC0201L6F1182SE
Resistor, 0201, 1%, 118K	MC0201L6F1183SE
Resistor, 0201, 1%, 11R3	MC0201L6F11R3SE
Resistor, 0201, 1%, 11R5	MC0201L6F11R5SE
Resistor, 0201, 1%, 11R8	MC0201L6F11R8SE
Resistor, 0201, 1%, 121R	MC0201L6F1210SE
Resistor, 0201, 1%, 12K1	MC0201L6F1212SE
Resistor, 0201, 1%, 121K	MC0201L6F1213SE
Resistor, 0201, 1%, 124R	MC0201L6F1240SE
Resistor, 0201, 1%, 12K4	MC0201L6F1242SE
Resistor, 0201, 1%, 124K	MC0201L6F1243SE
Resistor, 0201, 1%, 127R	MC0201L6F1270SE
Resistor, 0201, 1%, 12K7	MC0201L6F1272SE

Description	Part Number
Resistor, 0201, 1%, 127K	MC0201L6F1273SE
Resistor, 0201, 1%, 12R1	MC0201L6F12R1SE
Resistor, 0201, 1%, 12R4	MC0201L6F12R4SE
Resistor, 0201, 1%, 12R7	MC0201L6F12R7SE
Resistor, 0201, 1%, 130K	MC0201L6F1303SE
Resistor, 0201, 1%, 133R	MC0201L6F1330SE
Resistor, 0201, 1%, 13K3	MC0201L6F1332SE
Resistor, 0201, 1%, 133K	MC0201L6F1333SE
Resistor, 0201, 1%, 137R	MC0201L6F1370SE
Resistor, 0201, 1%, 13K7	MC0201L6F1372SE
Resistor, 0201, 1%, 137K	MC0201L6F1373SE
Resistor, 0201, 1%, 13R3	MC0201L6F13R3SE
Resistor, 0201, 1%, 13R7	MC0201L6F13R7SE
Resistor, 0201, 1%, 140R	MC0201L6F1400SE
Resistor, 0201, 1%, 14K	MC0201L6F1402SE
Resistor, 0201, 1%, 140K	MC0201L6F1403SE
Resistor, 0201, 1%, 143R	MC0201L6F1430SE
Resistor, 0201, 1%, 14K3	MC0201L6F1432SE
Resistor, 0201, 1%, 143K	MC0201L6F1433SE
Resistor, 0201, 1%, 147R	MC0201L6F1470SE
Resistor, 0201, 1%, 14K7	MC0201L6F1472SE
Resistor, 0201, 1%, 147K	MC0201L6F1473SE
Resistor, 0201, 1%, 14R	MC0201L6F14R0SE
Resistor, 0201, 1%, 14R3	MC0201L6F14R3SE
Resistor, 0201, 1%, 14R7	MC0201L6F14R7SE
Resistor, 0201, 1%, 154R	MC0201L6F1540SE
Resistor, 0201, 1%, 15K4	MC0201L6F1542SE
Resistor, 0201, 1%, 154K	MC0201L6F1543SE
Resistor, 0201, 1%, 158R	MC0201L6F1580SE
Resistor, 0201, 1%, 15K8	MC0201L6F1582SE
Resistor, 0201, 1%, 158K	MC0201L6F1583SE
Resistor, 0201, 1%, 15R4	MC0201L6F15R4SE
Resistor, 0201, 1%, 15R8	MC0201L6F15R8SE
Resistor, 0201, 1%, 162R	MC0201L6F1620SE
Resistor, 0201, 1%, 16K2	MC0201L6F1622SE
Resistor, 0201, 1%, 162K	MC0201L6F1623SE
Resistor, 0201, 1%, 165R	MC0201L6F1650SE

Newark.com/multicomp-pro
 Farnell.com/multicomp-pro
 Element14.com/multicomp-pro

multicomp PRO

Thick Film Chip Resistors

0201

multicomp PRO

Description	Part Number
Resistor, 0201, 1%, 16K5	MC0201L6F1652SE
Resistor, 0201, 1%, 165K	MC0201L6F1653SE
Resistor, 0201, 1%, 169R	MC0201L6F1690SE
Resistor, 0201, 1%, 16K9	MC0201L6F1692SE
Resistor, 0201, 1%, 169K	MC0201L6F1693SE
Resistor, 0201, 1%, 16R2	MC0201L6F16R2SE
Resistor, 0201, 1%, 16R5	MC0201L6F16R5SE
Resistor, 0201, 1%, 16R9	MC0201L6F16R9SE
Resistor, 0201, 1%, 174R	MC0201L6F1740SE
Resistor, 0201, 1%, 1K74	MC0201L6F1741SE
Resistor, 0201, 1%, 17K4	MC0201L6F1742SE
Resistor, 0201, 1%, 174K	MC0201L6F1743SE
Resistor, 0201, 1%, 178R	MC0201L6F1780SE
Resistor, 0201, 1%, 1K78	MC0201L6F1781SE
Resistor, 0201, 1%, 17K8	MC0201L6F1782SE
Resistor, 0201, 1%, 178K	MC0201L6F1783SE
Resistor, 0201, 1%, 17R4	MC0201L6F17R4SE
Resistor, 0201, 1%, 17R8	MC0201L6F17R8SE
Resistor, 0201, 1%, 182R	MC0201L6F1820SE
Resistor, 0201, 1%, 1K82	MC0201L6F1821SE
Resistor, 0201, 1%, 18K2	MC0201L6F1822SE
Resistor, 0201, 1%, 182K	MC0201L6F1823SE
Resistor, 0201, 1%, 187R	MC0201L6F1870SE
Resistor, 0201, 1%, 1K87	MC0201L6F1871SE
Resistor, 0201, 1%, 18K7	MC0201L6F1872SE
Resistor, 0201, 1%, 187K	MC0201L6F1873SE
Resistor, 0201, 1%, 18R2	MC0201L6F18R2SE
Resistor, 0201, 1%, 18R7	MC0201L6F18R7SE
Resistor, 0201, 1%, 191R	MC0201L6F1910SE
Resistor, 0201, 1%, 1K91	MC0201L6F1911SE
Resistor, 0201, 1%, 19K1	MC0201L6F1912SE
Resistor, 0201, 1%, 191K	MC0201L6F1913SE
Resistor, 0201, 1%, 196R	MC0201L6F1960SE
Resistor, 0201, 1%, 1K96	MC0201L6F1961SE
Resistor, 0201, 1%, 19K6	MC0201L6F1962SE
Resistor, 0201, 1%, 196K	MC0201L6F1963SE
Resistor, 0201, 1%, 19R1	MC0201L6F19R1SE

Description	Part Number
Resistor, 0201, 1%, 19R6	MC0201L6F19R6SE
Resistor, 0201, 1%, 205R	MC0201L6F2050SE
Resistor, 0201, 1%, 2K05	MC0201L6F2051SE
Resistor, 0201, 1%, 20K5	MC0201L6F2052SE
Resistor, 0201, 1%, 205K	MC0201L6F2053SE
Resistor, 0201, 1%, 20R5	MC0201L6F20R5SE
Resistor, 0201, 1%, 210R	MC0201L6F2100SE
Resistor, 0201, 1%, 2K1	MC0201L6F2101SE
Resistor, 0201, 1%, 21K	MC0201L6F2102SE
Resistor, 0201, 1%, 210K	MC0201L6F2103SE
Resistor, 0201, 1%, 215R	MC0201L6F2150SE
Resistor, 0201, 1%, 2K15	MC0201L6F2151SE
Resistor, 0201, 1%, 21K5	MC0201L6F2152SE
Resistor, 0201, 1%, 215K	MC0201L6F2153SE
Resistor, 0201, 1%, 21R	MC0201L6F21R0SE
Resistor, 0201, 1%, 21R5	MC0201L6F21R5SE
Resistor, 0201, 1%, 221R	MC0201L6F2210SE
Resistor, 0201, 1%, 2K21	MC0201L6F2211SE
Resistor, 0201, 1%, 22K1	MC0201L6F2212SE
Resistor, 0201, 1%, 221K	MC0201L6F2213SE
Resistor, 0201, 1%, 226R	MC0201L6F2260SE
Resistor, 0201, 1%, 2K26	MC0201L6F2261SE
Resistor, 0201, 1%, 22K6	MC0201L6F2262SE
Resistor, 0201, 1%, 226K	MC0201L6F2263SE
Resistor, 0201, 1%, 22R1	MC0201L6F22R1SE
Resistor, 0201, 1%, 22R6	MC0201L6F22R6SE
Resistor, 0201, 1%, 232R	MC0201L6F2320SE
Resistor, 0201, 1%, 2K32	MC0201L6F2321SE
Resistor, 0201, 1%, 23K2	MC0201L6F2322SE
Resistor, 0201, 1%, 232K	MC0201L6F2323SE
Resistor, 0201, 1%, 237R	MC0201L6F2370SE
Resistor, 0201, 1%, 2K37	MC0201L6F2371SE
Resistor, 0201, 1%, 23K7	MC0201L6F2372SE
Resistor, 0201, 1%, 237K	MC0201L6F2373SE
Resistor, 0201, 1%, 23R2	MC0201L6F23R2SE
Resistor, 0201, 1%, 23R7	MC0201L6F23R7SE
Resistor, 0201, 1%, 243R	MC0201L6F2430SE

Newark.com/multicomp-pro
 Farnell.com/multicomp-pro
 Element14.com/multicomp-pro

multicomp PRO

Thick Film Chip Resistors

0201

multicomp PRO

Description	Part Number
Resistor, 0201, 1%, 2K43	MC0201L6F2431SE
Resistor, 0201, 1%, 24K3	MC0201L6F2432SE
Resistor, 0201, 1%, 243K	MC0201L6F2433SE
Resistor, 0201, 1%, 249R	MC0201L6F2490SE
Resistor, 0201, 1%, 2K49	MC0201L6F2491SE
Resistor, 0201, 1%, 24K9	MC0201L6F2492SE
Resistor, 0201, 1%, 249K	MC0201L6F2493SE
Resistor, 0201, 1%, 24R3	MC0201L6F24R3SE
Resistor, 0201, 1%, 24R9	MC0201L6F24R9SE
Resistor, 0201, 1%, 255R	MC0201L6F2550SE
Resistor, 0201, 1%, 2K55	MC0201L6F2551SE
Resistor, 0201, 1%, 25K5	MC0201L6F2552SE
Resistor, 0201, 1%, 255K	MC0201L6F2553SE
Resistor, 0201, 1%, 25R5	MC0201L6F25R5SE
Resistor, 0201, 1%, 261R	MC0201L6F2610SE
Resistor, 0201, 1%, 2K61	MC0201L6F2611SE
Resistor, 0201, 1%, 26K1	MC0201L6F2612SE
Resistor, 0201, 1%, 261K	MC0201L6F2613SE
Resistor, 0201, 1%, 267R	MC0201L6F2670SE
Resistor, 0201, 1%, 2K67	MC0201L6F2671SE
Resistor, 0201, 1%, 26K7	MC0201L6F2672SE
Resistor, 0201, 1%, 267K	MC0201L6F2673SE
Resistor, 0201, 1%, 26R1	MC0201L6F26R1SE
Resistor, 0201, 1%, 26R7	MC0201L6F26R7SE
Resistor, 0201, 1%, 274R	MC0201L6F2740SE
Resistor, 0201, 1%, 2K74	MC0201L6F2741SE
Resistor, 0201, 1%, 27K4	MC0201L6F2742SE
Resistor, 0201, 1%, 274K	MC0201L6F2743SE
Resistor, 0201, 1%, 27R4	MC0201L6F27R4SE
Resistor, 0201, 1%, 280R	MC0201L6F2800SE
Resistor, 0201, 1%, 2K8	MC0201L6F2801SE
Resistor, 0201, 1%, 28K	MC0201L6F2802SE
Resistor, 0201, 1%, 280K	MC0201L6F2803SE
Resistor, 0201, 1%, 287R	MC0201L6F2870SE
Resistor, 0201, 1%, 2K87	MC0201L6F2871SE
Resistor, 0201, 1%, 28K7	MC0201L6F2872SE
Resistor, 0201, 1%, 287K	MC0201L6F2873SE

Description	Part Number
Resistor, 0201, 1%, 28R	MC0201L6F28R0SE
Resistor, 0201, 1%, 28R7	MC0201L6F28R7SE
Resistor, 0201, 1%, 294R	MC0201L6F2940SE
Resistor, 0201, 1%, 2K94	MC0201L6F2941SE
Resistor, 0201, 1%, 29K4	MC0201L6F2942SE
Resistor, 0201, 1%, 294K	MC0201L6F2943SE
Resistor, 0201, 1%, 29R4	MC0201L6F29R4SE
Resistor, 0201, 1%, 301R	MC0201L6F3010SE
Resistor, 0201, 1%, 3K01	MC0201L6F3011SE
Resistor, 0201, 1%, 30K1	MC0201L6F3012SE
Resistor, 0201, 1%, 301K	MC0201L6F3013SE
Resistor, 0201, 1%, 309R	MC0201L6F3090SE
Resistor, 0201, 1%, 3K09	MC0201L6F3091SE
Resistor, 0201, 1%, 30K9	MC0201L6F3092SE
Resistor, 0201, 1%, 309K	MC0201L6F3093SE
Resistor, 0201, 1%, 30R1	MC0201L6F30R1SE
Resistor, 0201, 1%, 30R9	MC0201L6F30R9SE
Resistor, 0201, 1%, 316R	MC0201L6F3160SE
Resistor, 0201, 1%, 3K16	MC0201L6F3161SE
Resistor, 0201, 1%, 31K6	MC0201L6F3162SE
Resistor, 0201, 1%, 316K	MC0201L6F3163SE
Resistor, 0201, 1%, 31R6	MC0201L6F31R6SE
Resistor, 0201, 1%, 324R	MC0201L6F3240SE
Resistor, 0201, 1%, 3K24	MC0201L6F3241SE
Resistor, 0201, 1%, 32K4	MC0201L6F3242SE
Resistor, 0201, 1%, 324K	MC0201L6F3243SE
Resistor, 0201, 1%, 32R4	MC0201L6F32R4SE
Resistor, 0201, 1%, 332R	MC0201L6F3320SE
Resistor, 0201, 1%, 3K32	MC0201L6F3321SE
Resistor, 0201, 1%, 33K2	MC0201L6F3322SE
Resistor, 0201, 1%, 332K	MC0201L6F3323SE
Resistor, 0201, 1%, 340R	MC0201L6F3400SE
Resistor, 0201, 1%, 3K4	MC0201L6F3401SE
Resistor, 0201, 1%, 34K	MC0201L6F3402SE
Resistor, 0201, 1%, 340K	MC0201L6F3403SE
Resistor, 0201, 1%, 348R	MC0201L6F3480SE
Resistor, 0201, 1%, 3K48	MC0201L6F3481SE

Newark.com/multicomp-pro
 Farnell.com/multicomp-pro
 Element14.com/multicomp-pro

multicomp PRO

Thick Film Chip Resistors

0201

multicomp PRO

Description	Part Number
Resistor, 0201, 1%, 34K8	MC0201L6F3482SE
Resistor, 0201, 1%, 348K	MC0201L6F3483SE
Resistor, 0201, 1%, 34R	MC0201L6F34R0SE
Resistor, 0201, 1%, 34R8	MC0201L6F34R8SE
Resistor, 0201, 1%, 357R	MC0201L6F3570SE
Resistor, 0201, 1%, 3K57	MC0201L6F3571SE
Resistor, 0201, 1%, 35K7	MC0201L6F3572SE
Resistor, 0201, 1%, 360K	MC0201L6F3603SE
Resistor, 0201, 1%, 365R	MC0201L6F3650SE
Resistor, 0201, 1%, 3K65	MC0201L6F3651SE
Resistor, 0201, 1%, 36K5	MC0201L6F3652SE
Resistor, 0201, 1%, 365K	MC0201L6F3653SE
Resistor, 0201, 1%, 36R5	MC0201L6F36R5SE
Resistor, 0201, 1%, 374R	MC0201L6F3740SE
Resistor, 0201, 1%, 3K74	MC0201L6F3741SE
Resistor, 0201, 1%, 37K4	MC0201L6F3742SE
Resistor, 0201, 1%, 374K	MC0201L6F3743SE
Resistor, 0201, 1%, 37R4	MC0201L6F37R4SE
Resistor, 0201, 1%, 383R	MC0201L6F3830SE
Resistor, 0201, 1%, 3K83	MC0201L6F3831SE
Resistor, 0201, 1%, 38K3	MC0201L6F3832SE
Resistor, 0201, 1%, 383K	MC0201L6F3833SE
Resistor, 0201, 1%, 38R3	MC0201L6F38R3SE
Resistor, 0201, 1%, 392R	MC0201L6F3920SE
Resistor, 0201, 1%, 3K92	MC0201L6F3921SE
Resistor, 0201, 1%, 39K2	MC0201L6F3922SE
Resistor, 0201, 1%, 392K	MC0201L6F3923SE
Resistor, 0201, 1%, 39R2	MC0201L6F39R2SE
Resistor, 0201, 1%, 402R	MC0201L6F4020SE
Resistor, 0201, 1%, 4K02	MC0201L6F4021SE
Resistor, 0201, 1%, 40K2	MC0201L6F4022SE
Resistor, 0201, 1%, 402K	MC0201L6F4023SE
Resistor, 0201, 1%, 40R2	MC0201L6F40R2SE
Resistor, 0201, 1%, 412R	MC0201L6F4120SE
Resistor, 0201, 1%, 4K12	MC0201L6F4121SE
Resistor, 0201, 1%, 41K2	MC0201L6F4122SE
Resistor, 0201, 1%, 412K	MC0201L6F4123SE

Description	Part Number
Resistor, 0201, 1%, 41R2	MC0201L6F41R2SE
Resistor, 0201, 1%, 422R	MC0201L6F4220SE
Resistor, 0201, 1%, 4K22	MC0201L6F4221SE
Resistor, 0201, 1%, 42K2	MC0201L6F4222SE
Resistor, 0201, 1%, 422K	MC0201L6F4223SE
Resistor, 0201, 1%, 42R2	MC0201L6F42R2SE
Resistor, 0201, 1%, 432R	MC0201L6F4320SE
Resistor, 0201, 1%, 4K32	MC0201L6F4321SE
Resistor, 0201, 1%, 43K2	MC0201L6F4322SE
Resistor, 0201, 1%, 432K	MC0201L6F4323SE
Resistor, 0201, 1%, 43R2	MC0201L6F43R2SE
Resistor, 0201, 1%, 442R	MC0201L6F4420SE
Resistor, 0201, 1%, 4K42	MC0201L6F4421SE
Resistor, 0201, 1%, 44K2	MC0201L6F4422SE
Resistor, 0201, 1%, 442K	MC0201L6F4423SE
Resistor, 0201, 1%, 44R2	MC0201L6F44R2SE
Resistor, 0201, 1%, 453R	MC0201L6F4530SE
Resistor, 0201, 1%, 4K53	MC0201L6F4531SE
Resistor, 0201, 1%, 45K3	MC0201L6F4532SE
Resistor, 0201, 1%, 453K	MC0201L6F4533SE
Resistor, 0201, 1%, 45R3	MC0201L6F45R3SE
Resistor, 0201, 1%, 464R	MC0201L6F4640SE
Resistor, 0201, 1%, 4K64	MC0201L6F4641SE
Resistor, 0201, 1%, 46K4	MC0201L6F4642SE
Resistor, 0201, 1%, 464K	MC0201L6F4643SE
Resistor, 0201, 1%, 46R4	MC0201L6F46R4SE
Resistor, 0201, 1%, 475R	MC0201L6F4750SE
Resistor, 0201, 1%, 4K75	MC0201L6F4751SE
Resistor, 0201, 1%, 47K5	MC0201L6F4752SE
Resistor, 0201, 1%, 475K	MC0201L6F4753SE
Resistor, 0201, 1%, 47R5	MC0201L6F47R5SE
Resistor, 0201, 1%, 487R	MC0201L6F4870SE
Resistor, 0201, 1%, 4K87	MC0201L6F4871SE
Resistor, 0201, 1%, 48K7	MC0201L6F4872SE
Resistor, 0201, 1%, 487K	MC0201L6F4873SE
Resistor, 0201, 1%, 48R7	MC0201L6F48R7SE
Resistor, 0201, 1%, 499R	MC0201L6F4990SE

Newark.com/multicomp-pro
 Farnell.com/multicomp-pro
 Element14.com/multicomp-pro

multicomp PRO

Thick Film Chip Resistors

0201

multicomp PRO

Description	Part Number
Resistor, 0201, 1%, 4K99	MC0201L6F4991SE
Resistor, 0201, 1%, 49K9	MC0201L6F4992SE
Resistor, 0201, 1%, 499K	MC0201L6F4993SE
Resistor, 0201, 1%, 49R9	MC0201L6F49R9SE
Resistor, 0201, 1%, 511R	MC0201L6F5110SE
Resistor, 0201, 1%, 5K11	MC0201L6F5111SE
Resistor, 0201, 1%, 51K1	MC0201L6F5112SE
Resistor, 0201, 1%, 511K	MC0201L6F5113SE
Resistor, 0201, 1%, 51R1	MC0201L6F51R1SE
Resistor, 0201, 1%, 523R	MC0201L6F5230SE
Resistor, 0201, 1%, 5K23	MC0201L6F5231SE
Resistor, 0201, 1%, 52K3	MC0201L6F5232SE
Resistor, 0201, 1%, 523K	MC0201L6F5233SE
Resistor, 0201, 1%, 52R3	MC0201L6F52R3SE
Resistor, 0201, 1%, 536R	MC0201L6F5360SE
Resistor, 0201, 1%, 5K36	MC0201L6F5361SE
Resistor, 0201, 1%, 53K6	MC0201L6F5362SE
Resistor, 0201, 1%, 536K	MC0201L6F5363SE
Resistor, 0201, 1%, 53R6	MC0201L6F53R6SE
Resistor, 0201, 1%, 549R	MC0201L6F5490SE
Resistor, 0201, 1%, 5K49	MC0201L6F5491SE
Resistor, 0201, 1%, 54K9	MC0201L6F5492SE
Resistor, 0201, 1%, 549K	MC0201L6F5493SE
Resistor, 0201, 1%, 54R9	MC0201L6F54R9SE
Resistor, 0201, 1%, 562R	MC0201L6F5620SE
Resistor, 0201, 1%, 5K62	MC0201L6F5621SE
Resistor, 0201, 1%, 56K2	MC0201L6F5622SE
Resistor, 0201, 1%, 562K	MC0201L6F5623SE
Resistor, 0201, 1%, 56R2	MC0201L6F56R2SE
Resistor, 0201, 1%, 576R	MC0201L6F5760SE
Resistor, 0201, 1%, 5K76	MC0201L6F5761SE
Resistor, 0201, 1%, 57K6	MC0201L6F5762SE
Resistor, 0201, 1%, 576K	MC0201L6F5763SE
Resistor, 0201, 1%, 57R6	MC0201L6F57R6SE
Resistor, 0201, 1%, 590R	MC0201L6F5900SE
Resistor, 0201, 1%, 5K9	MC0201L6F5901SE
Resistor, 0201, 1%, 59K	MC0201L6F5902SE

Description	Part Number
Resistor, 0201, 1%, 590K	MC0201L6F5903SE
Resistor, 0201, 1%, 59R	MC0201L6F59R0SE
Resistor, 0201, 1%, 604R	MC0201L6F6040SE
Resistor, 0201, 1%, 6K04	MC0201L6F6041SE
Resistor, 0201, 1%, 60K4	MC0201L6F6042SE
Resistor, 0201, 1%, 604K	MC0201L6F6043SE
Resistor, 0201, 1%, 60R4	MC0201L6F60R4SE
Resistor, 0201, 1%, 619R	MC0201L6F6190SE
Resistor, 0201, 1%, 6K19	MC0201L6F6191SE
Resistor, 0201, 1%, 61K9	MC0201L6F6192SE
Resistor, 0201, 1%, 619K	MC0201L6F6193SE
Resistor, 0201, 1%, 61R9	MC0201L6F61R9SE
Resistor, 0201, 1%, 634R	MC0201L6F6340SE
Resistor, 0201, 1%, 6K34	MC0201L6F6341SE
Resistor, 0201, 1%, 63K4	MC0201L6F6342SE
Resistor, 0201, 1%, 634K	MC0201L6F6343SE
Resistor, 0201, 1%, 63R4	MC0201L6F63R4SE
Resistor, 0201, 1%, 649R	MC0201L6F6490SE
Resistor, 0201, 1%, 6K49	MC0201L6F6491SE
Resistor, 0201, 1%, 64K9	MC0201L6F6492SE
Resistor, 0201, 1%, 649K	MC0201L6F6493SE
Resistor, 0201, 1%, 64R9	MC0201L6F64R9SE
Resistor, 0201, 1%, 665R	MC0201L6F6650SE
Resistor, 0201, 1%, 6K65	MC0201L6F6651SE
Resistor, 0201, 1%, 66K5	MC0201L6F6652SE
Resistor, 0201, 1%, 665K	MC0201L6F6653SE
Resistor, 0201, 1%, 66R5	MC0201L6F66R5SE
Resistor, 0201, 1%, 681R	MC0201L6F6810SE
Resistor, 0201, 1%, 6K81	MC0201L6F6811SE
Resistor, 0201, 1%, 68K1	MC0201L6F6812SE
Resistor, 0201, 1%, 681K	MC0201L6F6813SE
Resistor, 0201, 1%, 68R1	MC0201L6F68R1SE
Resistor, 0201, 1%, 698R	MC0201L6F6980SE
Resistor, 0201, 1%, 6K98	MC0201L6F6981SE
Resistor, 0201, 1%, 69K8	MC0201L6F6982SE
Resistor, 0201, 1%, 698K	MC0201L6F6983SE
Resistor, 0201, 1%, 69R8	MC0201L6F69R8SE

Newark.com/multicomp-pro
 Farnell.com/multicomp-pro
 Element14.com/multicomp-pro

multicomp PRO

Thick Film Chip Resistors

0201

multicomp PRO

Description	Part Number
Resistor, 0201, 1%, 715R	MC0201L6F7150SE
Resistor, 0201, 1%, 7K15	MC0201L6F7151SE
Resistor, 0201, 1%, 71K5	MC0201L6F7152SE
Resistor, 0201, 1%, 715K	MC0201L6F7153SE
Resistor, 0201, 1%, 71R5	MC0201L6F71R5SE
Resistor, 0201, 1%, 732R	MC0201L6F7320SE
Resistor, 0201, 1%, 7K32	MC0201L6F7321SE
Resistor, 0201, 1%, 73K2	MC0201L6F7322SE
Resistor, 0201, 1%, 732K	MC0201L6F7323SE
Resistor, 0201, 1%, 73R2	MC0201L6F73R2SE
Resistor, 0201, 1%, 768R	MC0201L6F7680SE
Resistor, 0201, 1%, 7K68	MC0201L6F7681SE
Resistor, 0201, 1%, 76K8	MC0201L6F7682SE
Resistor, 0201, 1%, 768K	MC0201L6F7683SE
Resistor, 0201, 1%, 76R8	MC0201L6F76R8SE
Resistor, 0201, 1%, 787R	MC0201L6F7870SE
Resistor, 0201, 1%, 7K87	MC0201L6F7871SE
Resistor, 0201, 1%, 78K7	MC0201L6F7872SE
Resistor, 0201, 1%, 787K	MC0201L6F7873SE
Resistor, 0201, 1%, 78R7	MC0201L6F78R7SE
Resistor, 0201, 1%, 806R	MC0201L6F8060SE
Resistor, 0201, 1%, 8K06	MC0201L6F8061SE
Resistor, 0201, 1%, 80K6	MC0201L6F8062SE
Resistor, 0201, 1%, 806K	MC0201L6F8063SE
Resistor, 0201, 1%, 80R6	MC0201L6F80R6SE
Resistor, 0201, 1%, 825R	MC0201L6F8250SE
Resistor, 0201, 1%, 8K25	MC0201L6F8251SE
Resistor, 0201, 1%, 82K5	MC0201L6F8252SE
Resistor, 0201, 1%, 825K	MC0201L6F8253SE
Resistor, 0201, 1%, 82R5	MC0201L6F82R5SE
Resistor, 0201, 1%, 845R	MC0201L6F8450SE
Resistor, 0201, 1%, 8K45	MC0201L6F8451SE
Resistor, 0201, 1%, 84K5	MC0201L6F8452SE
Resistor, 0201, 1%, 845K	MC0201L6F8453SE
Resistor, 0201, 1%, 84R5	MC0201L6F84R5SE
Resistor, 0201, 1%, 866R	MC0201L6F8660SE
Resistor, 0201, 1%, 8K66	MC0201L6F8661SE

Description	Part Number
Resistor, 0201, 1%, 86K6	MC0201L6F8662SE
Resistor, 0201, 1%, 866K	MC0201L6F8663SE
Resistor, 0201, 1%, 86R6	MC0201L6F86R6SE
Resistor, 0201, 1%, 887R	MC0201L6F8870SE
Resistor, 0201, 1%, 8K87	MC0201L6F8871SE
Resistor, 0201, 1%, 88K7	MC0201L6F8872SE
Resistor, 0201, 1%, 887K	MC0201L6F8873SE
Resistor, 0201, 1%, 88R7	MC0201L6F88R7SE
Resistor, 0201, 1%, 909R	MC0201L6F9090SE
Resistor, 0201, 1%, 9K09	MC0201L6F9091SE
Resistor, 0201, 1%, 90K9	MC0201L6F9092SE
Resistor, 0201, 1%, 909K	MC0201L6F9093SE
Resistor, 0201, 1%, 90R9	MC0201L6F90R9SE
Resistor, 0201, 1%, 931R	MC0201L6F9310SE
Resistor, 0201, 1%, 9K31	MC0201L6F9311SE
Resistor, 0201, 1%, 93K1	MC0201L6F9312SE
Resistor, 0201, 1%, 931K	MC0201L6F9313SE
Resistor, 0201, 1%, 93R1	MC0201L6F93R1SE
Resistor, 0201, 1%, 953R	MC0201L6F9530SE
Resistor, 0201, 1%, 9K53	MC0201L6F9531SE
Resistor, 0201, 1%, 95K3	MC0201L6F9532SE
Resistor, 0201, 1%, 953K	MC0201L6F9533SE
Resistor, 0201, 1%, 95R3	MC0201L6F95R3SE
Resistor, 0201, 1%, 976R	MC0201L6F9760SE
Resistor, 0201, 1%, 9K76	MC0201L6F9761SE
Resistor, 0201, 1%, 97K6	MC0201L6F9762SE
Resistor, 0201, 1%, 976K	MC0201L6F9763SE
Resistor, 0201, 1%, 97R6	MC0201L6F97R6SE
Resistor, 0201, 5%, 1K1	MC0201L6J1101SE
Resistor, 0201, 5%, 1M1	MC0201L6J1104SE
Resistor, 0201, 5%, 1K13	MC0201L6J1131SE
Resistor, 0201, 5%, 1K15	MC0201L6J1151SE
Resistor, 0201, 5%, 1K18	MC0201L6J1181SE
Resistor, 0201, 5%, 1K2	MC0201L6J1201SE
Resistor, 0201, 5%, 1M2	MC0201L6J1204SE
Resistor, 0201, 5%, 1K21	MC0201L6J1211SE
Resistor, 0201, 5%, 1K24	MC0201L6J1241SE

Newark.com/multicomp-pro
 Farnell.com/multicomp-pro
 Element14.com/multicomp-pro

multicomp PRO

Thick Film Chip Resistors

0201

multicomp PRO

Description	Part Number
Resistor, 0201, 5%, 1K27	MC0201L6J1271SE
Resistor, 0201, 5%, 1K3	MC0201L6J1301SE
Resistor, 0201, 5%, 1M3	MC0201L6J1304SE
Resistor, 0201, 5%, 1K33	MC0201L6J1331SE
Resistor, 0201, 5%, 1K37	MC0201L6J1371SE
Resistor, 0201, 5%, 1K4	MC0201L6J1401SE
Resistor, 0201, 5%, 1M4	MC0201L6J1404SE
Resistor, 0201, 5%, 1K43	MC0201L6J1431SE
Resistor, 0201, 5%, 1K47	MC0201L6J1471SE
Resistor, 0201, 5%, 1K5	MC0201L6J1501SE
Resistor, 0201, 5%, 1K54	MC0201L6J1541SE
Resistor, 0201, 5%, 1K58	MC0201L6J1581SE
Resistor, 0201, 5%, 1K6	MC0201L6J1601SE
Resistor, 0201, 5%, 1M6	MC0201L6J1604SE
Resistor, 0201, 5%, 1K62	MC0201L6J1621SE
Resistor, 0201, 5%, 1K65	MC0201L6J1651SE
Resistor, 0201, 5%, 1K69	MC0201L6J1691SE
Resistor, 0201, 5%, 1M8	MC0201L6J1804SE
Resistor, 0201, 5%, 1R	MC0201L6J1R00SE
Resistor, 0201, 5%, 1R1	MC0201L6J1R10SE
Resistor, 0201, 5%, 1R2	MC0201L6J1R20SE
Resistor, 0201, 5%, 1R3	MC0201L6J1R30SE
Resistor, 0201, 5%, 1R4	MC0201L6J1R50SE
Resistor, 0201, 5%, 1R6	MC0201L6J1R60SE
Resistor, 0201, 5%, 1R8	MC0201L6J1R80SE
Resistor, 0201, 5%, 2M	MC0201L6J2004SE
Resistor, 0201, 5%, 2M2	MC0201L6J2204SE
Resistor, 0201, 5%, 2M4	MC0201L6J2404SE
Resistor, 0201, 5%, 270K	MC0201L6J2703SE
Resistor, 0201, 5%, 2M7	MC0201L6J2704SE
Resistor, 0201, 5%, 270R	MC0201L6J271CSE
Resistor, 0201, 5%, 2R	MC0201L6J2R00SE
Resistor, 0201, 5%, 2R2	MC0201L6J2R20SE

Description	Part Number
Resistor, 0201, 5%, 2R4	MC0201L6J2R40SE
Resistor, 0201, 5%, 2R7	MC0201L6J2R70SE
Resistor, 0201, 5%, 3M	MC0201L6J3004SE
Resistor, 0201, 5%, 3M3	MC0201L6J3304SE
Resistor, 0201, 5%, 3M6	MC0201L6J3604SE
Resistor, 0201, 5%, 3M9	MC0201L6J3904SE
Resistor, 0201, 5%, 3R	MC0201L6J3R00SE
Resistor, 0201, 5%, 3R3	MC0201L6J3R30SE
Resistor, 0201, 5%, 3R6	MC0201L6J3R60SE
Resistor, 0201, 5%, 3R9	MC0201L6J3R90SE
Resistor, 0201, 5%, 4M3	MC0201L6J4304SE
Resistor, 0201, 5%, 4M7	MC0201L6J4704SE
Resistor, 0201, 5%, 4R3	MC0201L6J4R30SE
Resistor, 0201, 5%, 4R7	MC0201L6J4R70SE
Resistor, 0201, 5%, 5M1	MC0201L6J5104SE
Resistor, 0201, 5%, 5M6	MC0201L6J5604SE
Resistor, 0201, 5%, 5R1	MC0201L6J5R10SE
Resistor, 0201, 5%, 5R6	MC0201L6J5R60SE
Resistor, 0201, 5%, 6M2	MC0201L6J6204SE
Resistor, 0201, 5%, 6M8	MC0201L6J6804SE
Resistor, 0201, 5%, 6R2	MC0201L6J6R20SE
Resistor, 0201, 5%, 6R8	MC0201L6J6R80SE
Resistor, 0201, 5%, 75K	MC0201L6J7502SE
Resistor, 0201, 5%, 7M5	MC0201L6J7504SE
Resistor, 0201, 5%, 75R	MC0201L6J750CSE
Resistor, 0201, 5%, 7R5	MC0201L6J7R50SE
Resistor, 0201, 5%, 8M2	MC0201L6J8204SE
Resistor, 0201, 5%, 8R2	MC0201L6J8R20SE
Resistor, 0201, 5%, 9M1	MC0201L6J9104SE
Resistor, 0201, 5%, 91K	MC0201L6J913CSE
Resistor, 0201, 5%, 9R1	MC0201L6J9R1CSE
Resistor, 0201, 5%, 0R	MC0201L6JR000SE
-	-

Important Notice : This data sheet and its contents (the "Information") belong to the members of the AVNET group of companies (the "Group") or are licensed to it. No licence is granted for the use of it other than for information purposes in connection with the products to which it relates. No licence of any intellectual property rights is granted. The Information is subject to change without notice and replaces all data sheets previously supplied. The Information supplied is believed to be accurate but the Group assumes no responsibility for its accuracy or completeness, any error in or omission from it or for any use made of it. Users of this data sheet should check for themselves the Information and the suitability of the products for their purpose and not make any assumptions based on information included or omitted. Liability for loss or damage resulting from any reliance on the Information or use of it (including liability resulting from negligence or where the Group was aware of the possibility of such loss or damage arising) is excluded. This will not operate to limit or restrict the Group's liability for death or personal injury resulting from its negligence. Multicomp Pro is the registered trademark of Premier Farnell Limited 2019.

Newark.com/multicomp-pro
 Farnell.com/multicomp-pro
 Element14.com/multicomp-pro

multicomp PRO