



Datasheet

RS PRO Two-Part Enclosures For Wall Mounting

Stock number: 1920788

EN

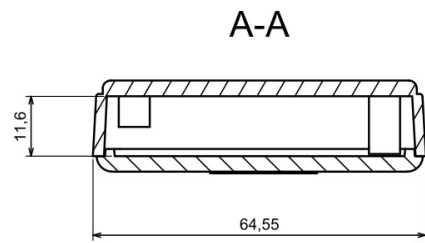
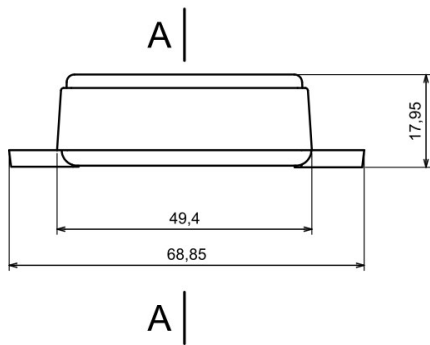


Product Details

Two-part enclosure is made of black ABS. The enclosure provides IP54 rating it is ideal for applications that doesn't require hermetic seal, it can be mounted on walls and other surfaces using mounting ears.

Features and Benefits

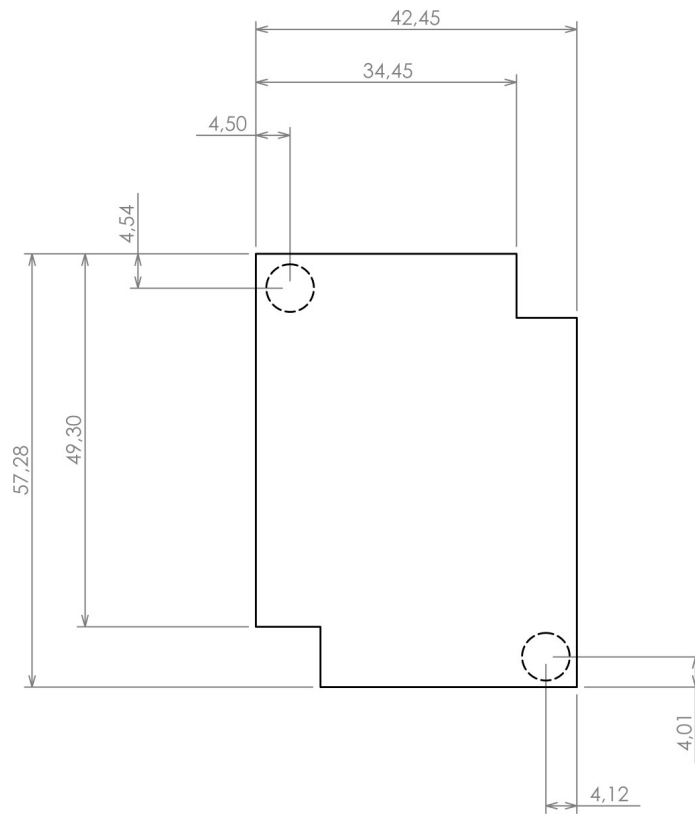
- Made of ABS
- Available in black color
- Protection against liquids and solid objects: IP54 rating
- Lugs for wall mounting



Category	Enclosures For Wall Mounting
Type	Full with lug (U)
Material	ABS
Variant	Without gasket
Height	17.7 mm
Width	49.5 mm
Length	64.5 mm
Color	Black
Protection level	IP54
Standards Met	RoHS Compliant
Accessories	Screw 3/13: 2.0 pcs
Certificate number	CE/032/18



Max PCB size



Dashed line shows outline of the mounting boss under PCB board
Recommended mounting holes diameter $\varnothing 3,5\text{mm}$
All dimensions are given within $\pm 0,5\text{mm}$ tolerance