

FEATURES

- Compliant to Level VI and ErP III
- Protection type: Auto Recovery
- Active PFC

RS PRO 12V dc CCTV Power Supply, 0 → 8.33A, 2-Pin IEC Connector

RS Stock No.: 144-0989



RS Professionally Approved Products bring to you professional quality parts across all product categories. Our product range has been tested by engineers and provides a comparable quality to the leading brands without paying a premium price.

Product Description

The RS PRO 144-0989 is a 24V power supply with a single output. This compact, lightweight power supply is the perfect charger for portable devices such as laptops and notebooks. It comes with a 2-pin IEC C8 connector. The attached cables comes with a 5.5 x 2.1 x 12mm jack to connect to your device.

General Specifications

Input Connector	2-Wire C8
Input Plug Type	2-Pin IEC
Output Connection Type	2.1mm x 5.5 mm Connector
Number of Outputs	1
Energy Efficiency Level	VI
MTBF	100,000 hours at 25 degrees C
Cable Length	1200mm
Applications	CCTV Cameras

Electrical Specifications

Input Specifications	
Rated Input Voltage	100V to 240V ac
Full Input Voltage Range	90V – 264V ac
Rated Frequency	50Hz/60Hz
Full Frequency Range	47Hz/63Hz
Efficiency	88%
Power Factor	0.95 @ 100VAC
Input Current (RMS Max.)	1.5A Max @115VAC
Inrush Current	60A at 110VAC
Leakage Current (max.)	≤250uA at 240Vac/50 Hz

Output Specification	
Ripple & Noise (max.)	1.5% max. of rated output voltage
Line Regulation	±1.0%
Load Regulation	±5.0%
No Load Power Consumption	≤ 0.21W
Setup, Rise Time	≤50 mSec at 100-240VAC
Hold Up Time (Typ.)	≥10ms
Over Voltage Protection	150% Max. of rated voltage

Mechanical Specifications

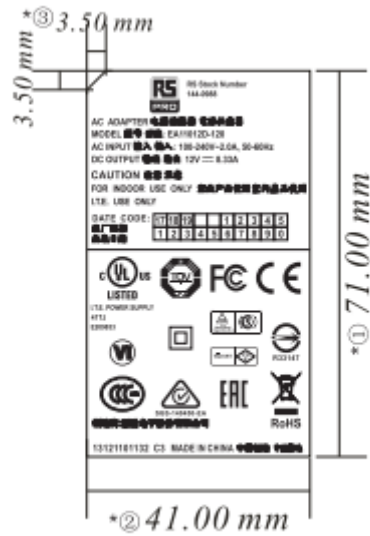
Overall Dimensions	133mm x 59mm x 34mm
Overall Length	137mm
Overall Depth	34mm
Overall Width	59mm
Weight	450g

Operation Environment Specifications

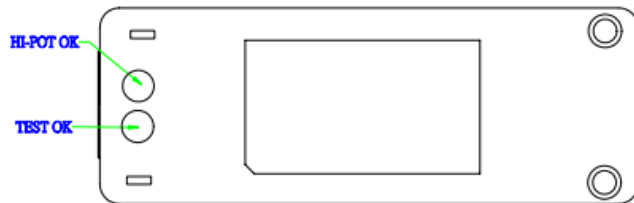
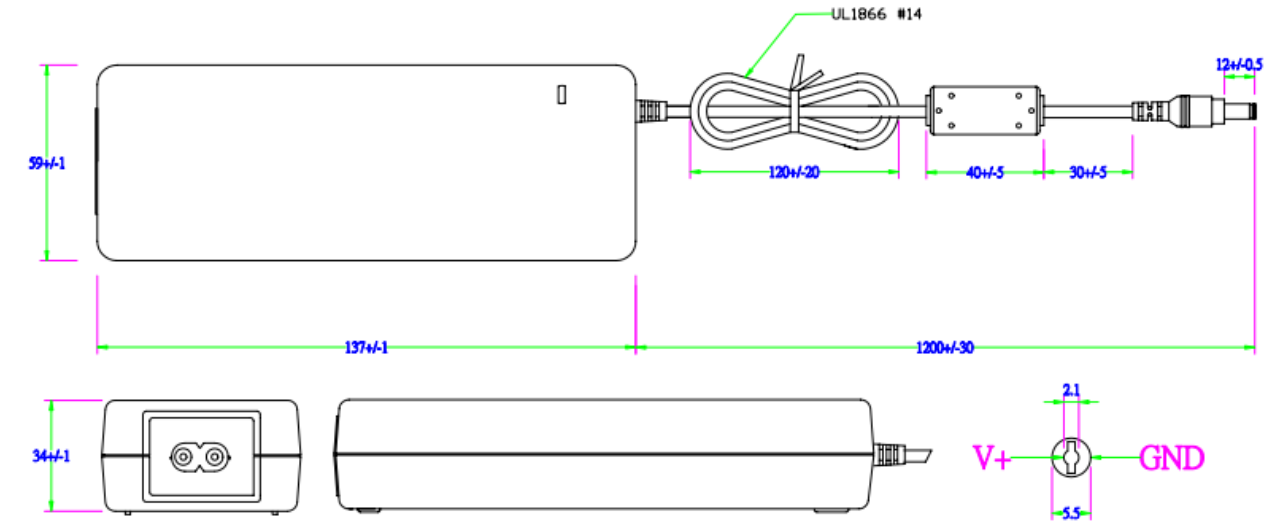
Operating Humidity	10% to 90%
Operating Temperature Range	0°C to 40°C
Storage Temperature Range	-20°C to 85°C
Altitude During Operation	5000m

Approvals

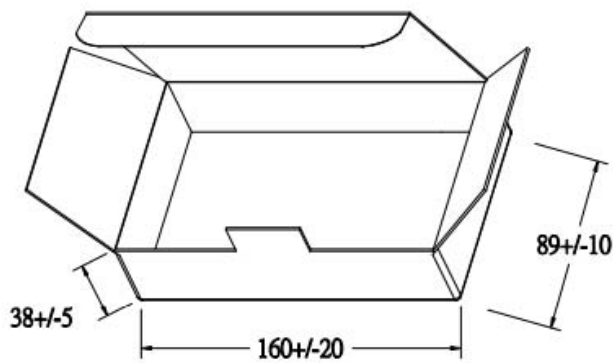
Safety Standard	UL, CUL, TUV/GS, CB, CE, FCC, RCM, ARGENTINA, CCC, PSE, CU, BSMI
-----------------	--



		RS Stock Number 144-0988																					
AC ADAPTER 电源适配器 电源供应器																							
MODEL 型号 型号: EA11012D-120																							
AC INPUT 输入 输入: 100-240V~2.0A, 50-60Hz																							
DC OUTPUT 输出 输出: 12V --- 8.33A																							
CAUTION 注意 注意																							
FOR INDOOR USE ONLY 室内产品使用 室内产品使用																							
I.T.E. USE ONLY																							
DATE CODE: <table border="1" style="display: inline-table;"><tr><td>17</td><td>18</td><td>19</td><td> </td><td> </td><td> </td><td> </td><td> </td><td> </td><td> </td></tr><tr><td>1</td><td>2</td><td>3</td><td>4</td><td>5</td><td>6</td><td>7</td><td>8</td><td>9</td><td>0</td></tr></table>				17	18	19								1	2	3	4	5	6	7	8	9	0
17	18	19																					
1	2	3	4	5	6	7	8	9	0														
<table border="0"> <tr> <td></td> <td></td> <td></td> <td></td> </tr> <tr> <td colspan="4">I.T.E. POWER SUPPLY 41TJ E209853</td> </tr> <tr> <td></td> <td></td> <td></td> <td></td> </tr> <tr> <td></td> <td></td> <td></td> <td></td> </tr> </table>								I.T.E. POWER SUPPLY 41TJ E209853															
I.T.E. POWER SUPPLY 41TJ E209853																							
制造商: 亚胜电子股份有限公司																							
13121101132 C3 MADE IN CHINA 中国制造 中国产地																							



				APPROVED
MODEL	EA11012DC01	UNIT	mm	DESIGNED
color	BLACK	SCALE		CHECK
cus.		DATE	2017-06-15	DRAWING LJ.YU



74mm

55mm



Pantone 485C

◀ 备注:
17/29=yy/ww
(制造年/周期)