

Datasheet

Steel External Circlip, 6mm Shaft Diameter, 5.7mm Groove Diameter

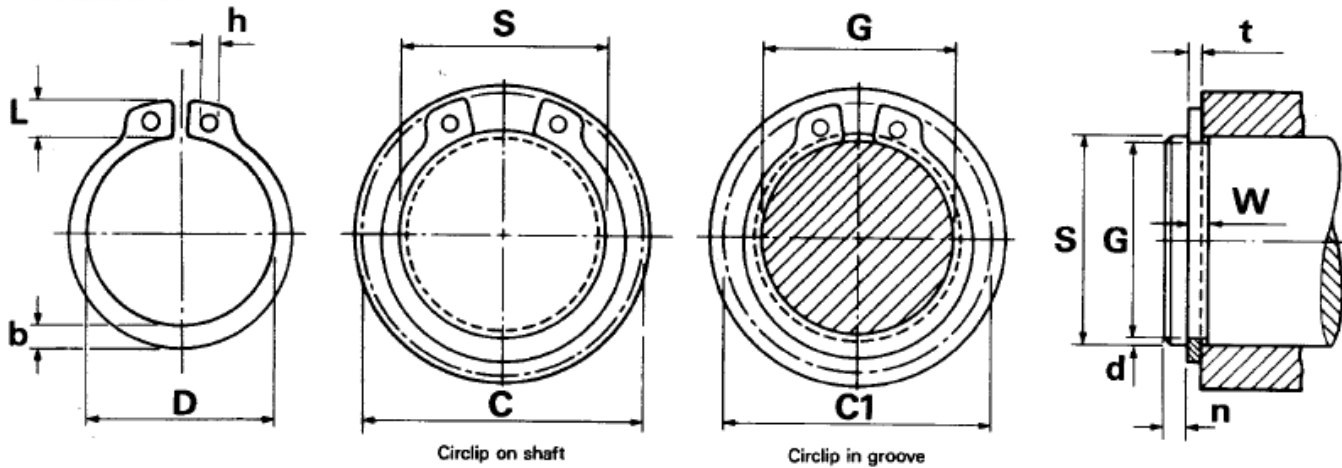
RS Stock number 289-219



STANDARD EXTERNAL CIRCLIPS EUROPEAN SPECIFICATIONS

D1400 INCORPORATING DIN 471 & BS3673 Pt.4

All dimensions in mm



Circlip on shaft

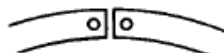
Circlip in groove



Lug for sizes 3 to 9 mm



Alternative lug for sizes 4-8 mm



Most sizes over 185 mm are without lugs



Beam configuration on some larger sizes

Sizes printed in blue are preferred sizes

† Thrust load calculations see pages 9 & 10

