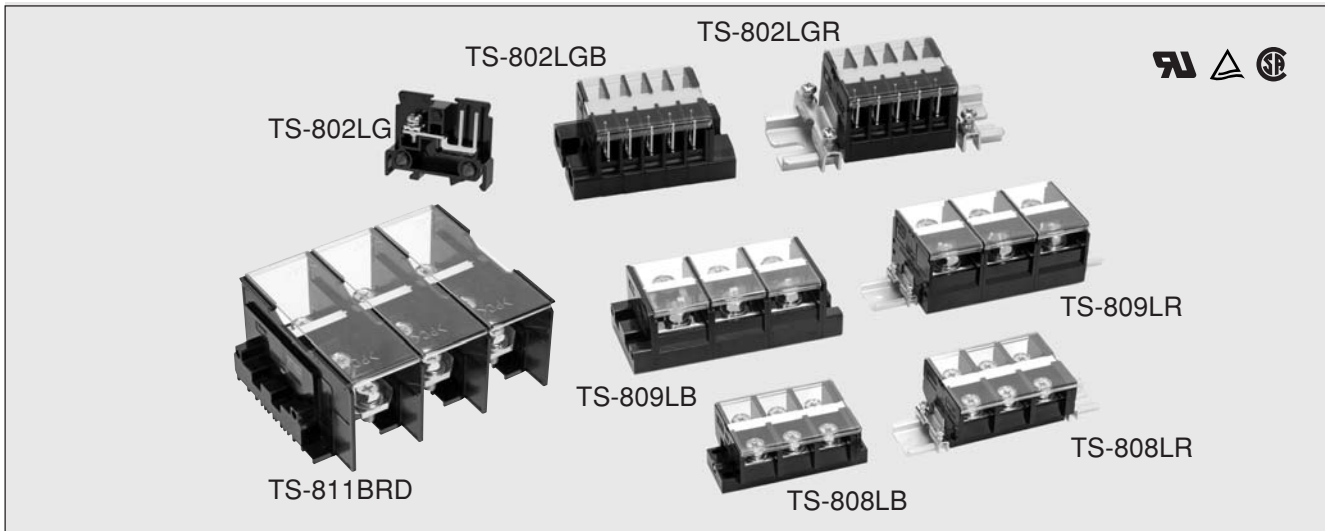


Assembled Terminal Blocks

TS/TSU-800 Series



■ Features

- Wrapping terminal block and RD terminal block and Model TS-808 and Model TS-809 high capacity types added to the TS-800 Series.
- rapping side of Model TS-802L can be $\varnothing 0.8 \times 2$ or $\varnothing 0.5 \times 4$.
- Materials marked on terminal block and end.
- Flame resistant grade UL94V-0 all for terminal block, end segment and terminal protection cover.
- Rated insulation voltage 600V is suitable for high withstand voltage and high insulation applications.
- Poly phenylene ether resin used for insulation is excellent material against mechanical vibrations and shocks.
- Employing the self-up screws (TS-801 ~ 807) for the terminal screws prevents washers from falling out, and enables quick and firm insertion and fastening of crimp contacts. (Model TS-802LG is one side only. Except Model TS-811)
- Easy attaching and removing of the terminal protection covers and name tags.
- Both rail mounted type and bolt mounted type are available.
- Able to mount either on the DIN size rail (AR-LH) and our standard rail (AR-LK). (Model TS-811BRD is bolt assembly type only)
- RoHS directive compliant.



NOTICE

- Use the UL and CSA conforming crimp contacts for an application under the UL and CSA standards.
- Stand alone (TS-801~811), rail-mounted finished product (TS/TSU-801R~811R), and bolt assembly finished product (TS-801B~811B) are UL, CSA, and TÜV approved. Bolt assembly finished product (TSU-801B~811B) is only UL and CSA standards.
- Stand alone, rail-mounted finished product, and bolt assembly finished product TS-808L/809L are all UL CSA and TÜV standards approved.
- TS-802LG/TS-811BRD are not UL, CSA, and TÜV approved.
- TÜV certificate number is R9750989. (EN60947-7-1/IEC947-7-1)
- UL file number is E64344. (UL1059)
- CSA file number is 211577. (C22.2.No.158)
- Unless otherwise mentioned, all dimensions are indicated in "mm" in this book.
- Terminal block conduction wire is different depending on the usage conditions (type of wire, number of strands, ambient temperature, etc.)

Foreign standards acquisition table (with terminal protection cover)

	UL	CSA	TÜV
TS-801 ~ 811	○	○	○
TS-801R ~ 811R	○	○	○
TS-801B ~ 811B	○	○	○
TS-802LG	—	—	—
TS-808L	○	○	○
TS-809L	○	○	○
TS-811BRD	—	—	—

O: approved —: Not approved

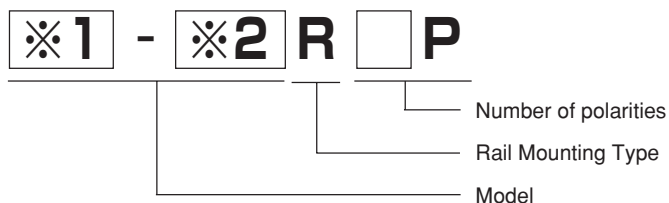
*From September 2002
TS-801~811 have also
received foreign standards
approval (UL, CSA, TÜV).

	UL	CSA	TÜV
TSU-801R ~ 811R	○	○	○
TSU-801B ~ 811B	○	○	—

O: approved —: Not approved

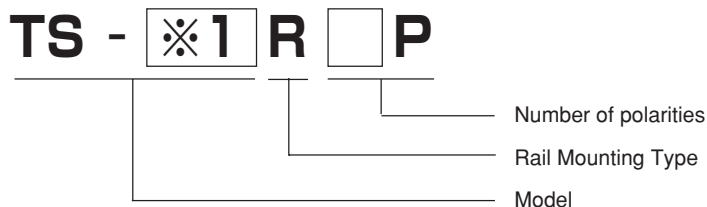
Model Designaion

Rail-mounted Finished Product (with terminal protection cover)



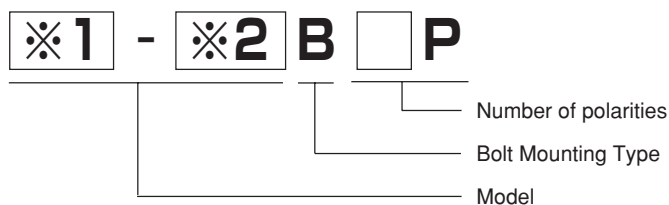
※1	
Code	Standard product
TS	UL, CSA, TÜV
TSU	

※2	
Code	
801,802,803,804, 805,806,807,808, 809,810,811	



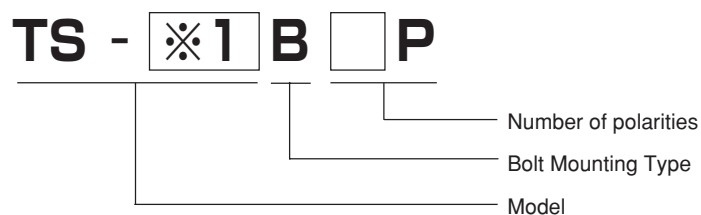
※1	
Code	Standard product
802LG	—
808L	UL, CSA, TÜV
809L	

Bolt Mounted Finished Product (with terminal protection cover)



※1	
Code	standard product
TS	UL, CSA, TÜV
TSU	UL, CSA

※2	
Code	Number of polarities
801,802,803,804	2~30
805,806,807	2~20
808	2~14
809	2~10
810,811	2~6



※1		
Code	standard product	Number of polarities
802LG	—	2~30
808L	UL, CSA, TÜV	2~14
809L		2~10

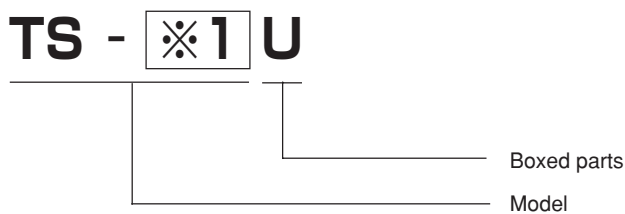
■ TS-811BRD bolt assembly finished product model designation (with terminal protection cover)



※1
Number of polarities
2~4

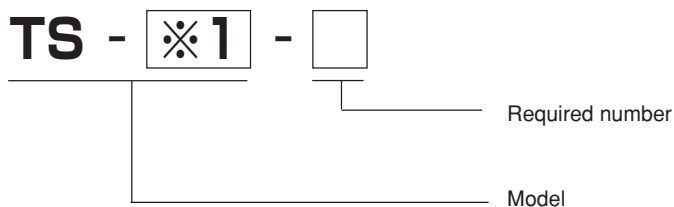
• The above products are sold as bolt assembly finished product only; there is no rail-mounted finished product.

■ Boxed parts model designation



※1	
Code	Boxed quantity
801,802,802LG, 803,804,805, 806	50P
807	30P
809,808L 809,809L	20P
810,811	10P

■ Stand alone model designation



※1
Code
801,802,802LG,803,804, 805,806,807,808,808L, 809,809L,810,811

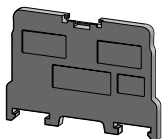
■ Rail use termination (used at both sides of terminal block at assembly)

Item \ Model	TS-S801	TS-S802	TS-S802LGR	TS-S803	TS-S804	TS-S805	TS-S806	TS-S807
Matching Models	TS-801	TS-802	TS-802LGR	TS-803	TS-804	TS-805	TS-806	TS-807
Thickness	2mm					2.5mm		3mm
Sales Unit	10 pieces							
Weight(per 1 piece)	1.9 g	2.0 g	2g	2.3 g	2.3 g	3.1 g	3.8 g	5.0 g

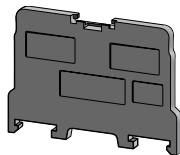
No end section is provided for TS-809,809L,810,811 each of which is the all-in-one unit.

Item \ Model	TS-S808
Matching Models	TS-808/TS-808L
Thickness	3.5mm
Sales Unit	10pieces
Weight(per 1 piece)	8.2g

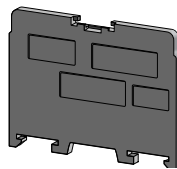
▼ TS-S801



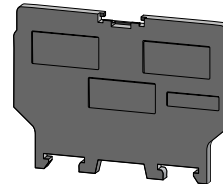
▼ TS-S802LG



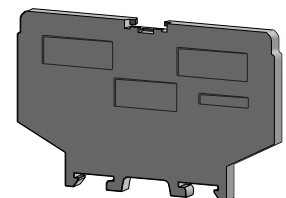
▼ TS-S803



▼ TS-S806



▼ TS-S808



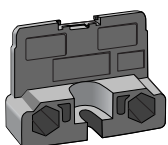
TS-808/808L common use

■ Bolt use termination (used at both sides of terminal block at assembly)

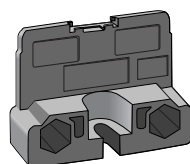
Item \ Model	TS-S801B	TS-S802B	TS-S802LGB	TS-S803B	TS-S804B	TS-S805B	TS-S806B
Matching Models	TS-801	TS-802	TS-802LGR	TS-803	TS-804	TS-805	TS-806
Thickness	11mm		12mm			13mm	
Sales Unit	10 pieces						
Weight (per 1 piece)	3.8g	3.8g	3.8g	4.4g	4.6g	5.6g	6.1g

Item \ Model	TS-S807B	TS-S808B	TS-S809B	TS-S809LB	TS-S810B	TS-S811B
Matching Models	TS-807	TS-808/TS-808L	TS-809	TS-809L	TS-810	TS-811
Thickness	14mm		17mm			
Sales Unit	10 pieces					
Weight (per 1 piece)	8.1g	11.0g	16.6g	18.5g	21.7g	34.9g

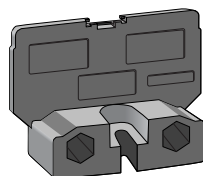
▼ TS-S801B



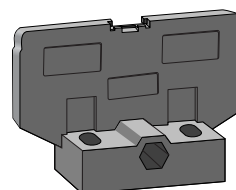
▼ TS-S802LG



▼ TS-S806B

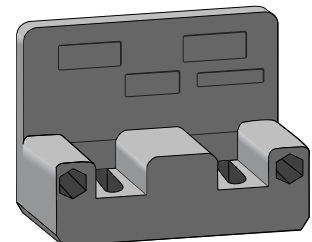


▼ TS-S808B



TS-808/808L common use

▼ TS-S809LB

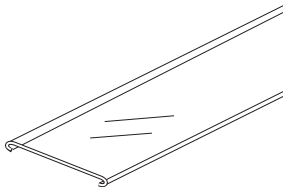


■ Terminal Protection Cover

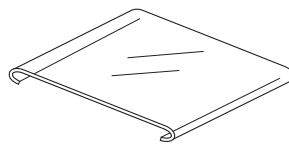
Model	TS-C801	TS-C802	TS-C803	TS-C804	TS-C805	TS-C806	TS-C807
Matching Terminal Block	TS-801	TS-802/TS-802LG	TS-803	TS-804	TS-805	TS-806	TS-807
Thickness	1m						
Sales Unit	5pieces						
Weight (per 1 piece)	58 g		60 g		72 g	78 g	79 g

Model	TS-C80	TS-C809	TS-C809L	TS-C810	TS-C811	TS-C811RD
Matching Terminal Block	TS-808/ TS-808L	TS-809	TS-809	TS-810	TS-811	TS-811BRD
Thickness	1m	1 piece for one polarity				
Sales Unit	5pieces	10pieces				
Weight (per 1 piece)	99 g	3.7 g	5.8 g	7.5 g	12.8 g	21g

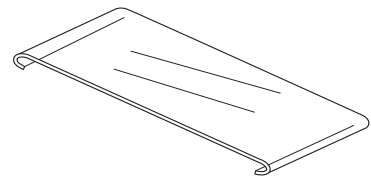
▼ TS-C801/TS-C802/TS-C803/TS-C804
TS-C805/TS-C806/TS-C807/TS-C808



▼ TS-C809L

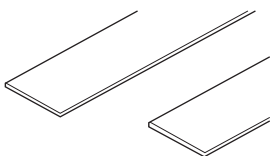


▼ TS-C811RD



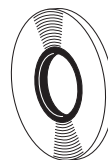
■ Legend Tag

▼ TS-M800F (Flat)



Width× Length/10mm × 900mm
Thickness/0.5mm
Sales Unit/10 pieces
Weight (per 1 piece)/6g

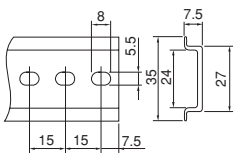
▼ TS-M800W (Roll)



Width× Length/10mm × 25m
Thickness/0.5mm
Sales Unit/1roll
Weight (per 1 piece)/192g

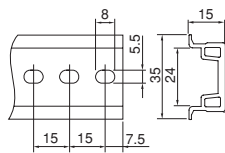
■ Rail

▼ AR-LH



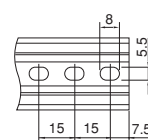
Length/1000mm
Sales Unit/5 pieces
Weight (per 1 piece)/237g

▼ AR-FH



Length/1000mm
Sales Unit/5 pieces
Weight (per 1 piece)/365g

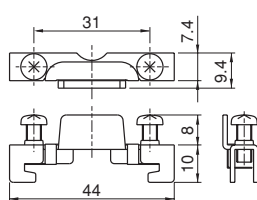
▼ AR-LK



Length/1000mm
Sales Unit/5 pieces
Weight (per 1 piece)/260g

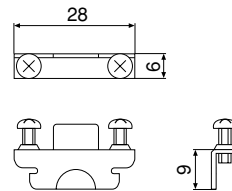
■ Metal Fitting

▼ MF-THE



Matching Rail : AR-LH, AR-FH
Sales Unit/10 pieces
Weight (per 1 piece)/11g

▼ MF-LKB



Matching Rail : AR-LK
Sales Unit/10 pieces
Weight (per 1 piece)/4.7g

■ Rail protection cap

Can be installed not only before rail mounting, but also after rail mounting.

▼ AR-CLH



Matching Rail: Model AR-LH
Material/polypropylene
Sales unit/10 piece
Weight (1pc)v0.9g

▼ AR-CL

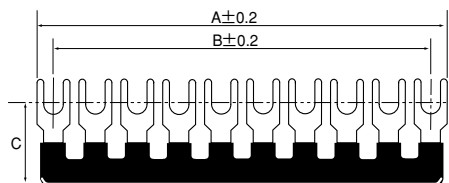


Matching Rail: Model AR-LK
Material/polypropylene
Sales unit/10 piece
Weight (1pc)v0.9g

• Do not reuse the general use rail protection cap. Replace it with a new cap.

■ Short-circuiting Bar

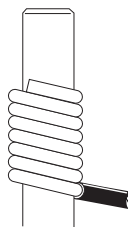
▼ J-801•802•803•804



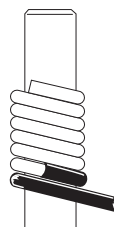
Model	Number of polarities				
	2P	3P	6P	10P	
J-801 (for TS-801)	A	12.4	19.4	40.4	68.4
	B	7	14	35	63
	C	14.5			
J-802 (for TS-802)	A	14.8	23.3	48.8	82.8
	B	8.5	17	42.5	76.5
	C	14.1			
J-803 (for TS-803)	A	18.8	29.3	60.8	102.8
	B	10.5	21	52.5	94.5
	C	16.5			
J-804 (for TS-804)	A	20.5	32	66.5	112.5
	B	11.5	23	57.5	103.5
	C	16.5			

● When using

▼ TS-802LG



A type



B type

About wire wrapping

The general wiring method is A type, but when vibration resistance is required, also install wrapping type B wire cover.

■ Specifications

Model		TS-801 TSU-801	TS-802 TSU-802	TS-802 LG	TS-803 TSU-803	TS-804 TSU-804	TS-805 TSU-805
Ratings	Insulation Voltage	600V					
	Current Capacity	15A	20A	15A	30A	40A	50A
Matching Wire		1.25mm ²	2mm ²	Terminal:2mm ² Wrapping: $\phi 0.8 \times 2$	3.5mm ²	5.5mm ²	8mm ²
Connectable Wire and Current Capacity by Size		0.75mm ² –10A 0.5mm ² –7A	1.25mm ² –15A 0.75mm ² –10A	2mm ² –20A 1.25mm ² –15A 0.75mm ² –10A	2mm ² –20A 1.25mm ² –15A	3.5mm ² –30A 2mm ² –20A	5.5mm ² –40A 3.5mm ² –30A
Terminal Screw and Bolt		±Self-up screw (Square leaf) M3 × 8 (Recommended torque: 0.6~0.9 N·m)	±Self-up screw (Square leaf) M3.5 × 8 (Recommended torque: 0.8~1.3 N·m)	±Self-up screw (Square leaf) M4 × 10 (Recommended torque: 0.8~1.3 N·m)	±Self-up screw (Square leaf) M4 × 10 (Recommended torque: 1.2~1.8 N·m)	±Self-up screw (Square leaf) M4 × 10 (Recommended torque: 1.2~1.8 N·m)	±Self-up screw (Square leaf) M5 × 12 (Recommended torque: 2.5~3.0 N·m)
Matching Crimp Contact	Max. Diameter	5.9mm	7mm	7mm	8.7mm	9.7mm	12.4mm
	Min. Inside Diameter (mm)	$\phi 3.2$	$\phi 3.7$	$\phi 3.7$	$\phi 4.2$	$\phi 4.2$	$\phi 5.2$
Pitch between Terminals		7mm	8.5mm	8.5mm	10.5mm	11.5mm	14.5mm
Number in Package		As many as 50 polarities					
Weight (per 1 P)		5.1g	7.2g	6.0g	11g	11.8g	21.6g
Standard Conformity		JIS C 2811 Industrial Terminal Blocks					

Model		TS-806 TSU-806	TS-807 TSU-807	TS-808 TSU-808	TS-808L	TS-809 TSU-809	TS-809L
Ratings	Insulation Voltage	600V					
	Operating Current	70A	90A	130A	175A	240A	310A
Matching Wire		14mm ²	22mm ²	38mm ²	60mm ²	100mm ²	150mm ²
Connectable Wire and Operating Current by Size		8mm ² –50A 5.5mm ² –40A	14mm ² –70A 8mm ² –50A	22mm ² –90A 14mm ² –70A	38mm ² –150A 22mm ² –90A	60mm ² –175A 38mm ² –150A 22mm ² –90A	100mm ² –240A 60mm ² –175A
Terminal Screw and Bolt		±Self-up screw (Square interleaf) M6 × 12 (Recommended torque: 2.5~4.0 N·m)	±Self-up screw (Square interleaf) M6 × 12 (Recommended torque: 2.5~4.0 N·m)	Hexagonal bolt with cross hole M8 × 16 (Recommended torque: 6~10 N·m)	Hexagonal bolt with cross hole M8 × 16 (Recommended torque: 6~10N·m)	Hexagonal bolt M10 × 25 (Recommended torque: 10~20 N·m)	Hexagonal bolt M10 × 25 (Recommended torque: 10~20 N·m)
Matching Crimp Contact	Max. Diameter	13.2mm	17.4mm	22.6mm	30mm	30mm	38mm
	Min. Inside Diameter (mm)	$\phi 6.4$	$\phi 6.4$	$\phi 8.4$	$\phi 8.4$	$\phi 10.5$	$\phi 10.5$
Pitch between Terminals		15.5mm	20mm	25.5mm	27mm	36mm	44mm
Number in Package		As many as 50 polarities	As many as 30 polarities	As many as 20 polarities			
Weight (per 1 P)		30.2g	38.7g	78.1g	70.4g	304g	183.5g
Standard Conformity		JIS C 2811 Industrial Terminal Blocks					

• Refer to 5-10 for the ratings when using as UL, CSA, and TÜV standard approved products.

■ Specifications

Item		Model	TS-810 TSU-810	TS-811 TSU-811	TS-811BRD
Ratings	Insulation Voltage		600V		
	Current Capacity		400A	600A	600A
Matching Wire			200mm ²	325mm ²	325mm ²
Connectable Wire and Current Capacity by Size			150mm ² ~310A 100mm ² ~240A	200mm ² ~400A 150mm ² ~310A	200mm ² ~400A 150mm ² ~300A 100mm ² ~200A
Terminal Screw and Bolt			Hexagonal bolt with cross hole M12 × 25 (Recommended torque: 14~35 N·m)	Hexagonal bolt with cross hole M16 × 35 (Recommended torque: 25~40N·m)	Hexagonal bolt with cross hole M12 × 25 (Recommended torque:: 14~35 N·m)
Matching Crimp Contact	Max. Diameter		45mm	52mm	52mm
	Min. Inside Diameter (mm)		φ 13	φ 17	φ 17
Pitch between Terminals			53mm	60mm	63mm
Number in Package			As many as 10 polarities		
Weight (per 1 P)			304g	602g	774g
Standard Conformity			JIS C 2811 Industrial Terminal Blocks		

■ Specifications

Insulation Resistance	Between live parts	500MΩ or more measured by 500V DC megohmmeter 2500V AC for 1 minute
Withstand Voltage	Between live parts and ground	
Operating Environment	Temperature: -10~+50°C, Humidity: 45~85%RH (No freezing or condensation)	

■ Materials

Insulation Holder	Poly phenylene ether resin (black)	UL94V-0
Terminal Metal	Brass (Nickel plated)	TS-801~802LG
	Copper bus bar (Nickel plated)	TS-808L~811BRD
Terminal Screws	Carbon steel (galvanized and chromate treatment)	
End Segment	Poly phenylene ether resin (black)	UL94V-0
Terminal Protection Cover	Polycarbonate resin (transparent)	UL94V-0
Legend Tag	Vinyl chloride resin (white) 10mm wide	UL94V-0
Metal End	Cold-finished steel plate (galvanized and chromate treatment) with stainless mounts	
Rail	Aluminum	TS-801~811

■ Ratings when used as UL, CSA, and TÜV standard approved product

Model	UL (UL1059)						
	Insulation Voltage (V)	Current Capacity (A)	Matching Wire (WG/MCM)	Recommended torque (N·m)	Number connectable	PW	Remarks
TS/TSU-801	600	15	18~16	0.5~0.9	1	2	
					2	1	
TS/TSU-802	600	20	18~14	0.8~1.3	1	2	
					2	1	
TS/TSU-803	600	30	18~12	1.2~1.8	1	2	
					2	1	
TS/TSU-804	600	40	14~10	1.2~1.8	1	2	
					2	1	
TS/TSU-805	600	50	12~8	2.0~3.0	1	2	
					2	1	
TS/TSU-806	600	70	10~6	2.5~4.0	1	2	
					2	1	
TS/TSU-807	600	90	8~4	2.5~4.0	1	2	
					2	1	
TS/TSU-808	600	130	6~2	6~10	1	2	
					2	1	
TS-808L	600	175	4~2/0	6~10	1	2	
					2	1	Note1
					2	2	Note2
TS/TSU-809	600	240	4~4/0	10~20	1	2	
					2	1	Note1
					2	2	Note2
TS-809L	600	310	2/0~300	10~20	1	2	
					2	1	Note1
					2	2	Note2
TS/TSU-810	600	370	4/0~400	14~35	1	2	
					2	1	Note1
					2	2	Note2
TS/TSU-811	600	520	300~600	25~40	1	2	
					2	1	Note1
					2	2	Note2

Note1: Single wire and twisted wire cannot be mixed.

Note2: Single wire and twisted wire cannot be mixed. The electric wire size shall be the same.

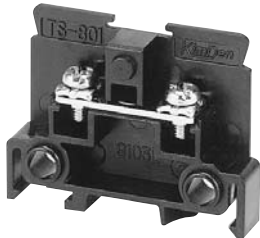
TS/TSU-801 is bare wire connection and crimp terminal connection.

Models other than TS/TSU-801 are crimp terminal connection.

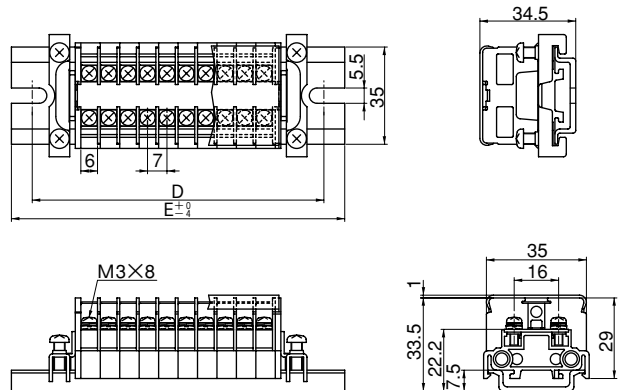
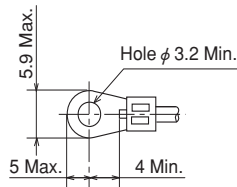
When using with UL and CSA standards, use UL standard product and CSA standard product crimp terminals.

Model	CSA(C22,2 No.158—1987)				TÜV EN60947-7-1(IEC947—7—1)			
	Insulation Voltage (V)	Current Capacity (A)	Matching Wire (WG/MCM)	Recommended torque (N·m)	Insulation Voltage (V)	Current Capacity (A)	Matching Wire (WG/MCM)	Recommended torque (N·m)
TS/TSU-801	600	15	18~16	0.5~0.9	600	15	18~16	0.5~0.9
TS/TSU-802	600	20	18~14	0.8~1.3	600	20	18~14	0.8~1.3
TS/TSU-803	600	30	18~12	1.2~1.8	600	30	18~12	1.2~1.8
TS/TSU-804	600	40	14~10	1.2~1.8	600	40	14~10	1.2~1.8
TS/TSU-805	600	50	12~8	2.0~3.0	600	50	12~8	2.0~3.0
TS/TSU-806	600	70	10~6	2.5~4.0	600	70	10~6	2.5~4.0
TS/TSU-807	600	90	8~4	2.5~4.0	600	90	8~4	2.5~4.0
TS/TSU-808	600	150	6~2/0	6~10	600	130	6~2	6~10
TS-808L	600	175	4~2/0	6~10	600	175	4~2/0	6~10
TS/TSU-809	600	240	4~4/0	10~20	600	240	4~4/0	10~20
TS-809L	600	310	2/0~300	10~20	600	310	2/0~300	10~20
TS/TSU-810	600	400	4/0~400	14~35	600	370	4/0~400	14~35
TS/TSU-811	600	600	300~600	25~40	600	520	300~600	25~40

TS/TSU-801R□P	Matching Wire	15A:1.25mm ²	Terminal Screws	M3/Self-up	With cover /name tag	
----------------------	---------------	-------------------------	-----------------	------------	----------------------	--



• Applicable crimp terminal



Rated insulation voltage	600V
Connectable wire and conduction current by size	0.75mm ² —10A/0.5mm ² —7A 1.25mm ² —15A
Matching Wire(AWG/MCM)	18~16
Recommended terminal screw tightening torque	0.5~0.9 N·m
Standard Conformity	JIS C 2811 Industrial Terminal Blocks

• The rail of rail-mounted finished products uses a U-cut rail as shown in the exterior view as AR-LH standards.

There are no rails with 15mm pitch holes. When you want assembly finished products with other rails, please specify the separate rail type.

● Accessories table (See 5-5~7.)

*Amount required is when name tag length is 900mm or less.

		Required* amount
Termination for rail TS-S801	Thickness:2mm/Sales Unit:10 pcs/ Weight (per pc):1.9g	2
Terminal Protection Cover TS-C801	Length:1m /Sales Unit:5 pcs/ Weight (per pc):58g	1
Legend Tag (Flat) TS-M800F	Width x length:10mmX900mm/Thickness:0.5mm Sales Unit:10 pcs/ Weight (per pc):6g	1
Legend Tag (Roll) TS-M800W	WidthX Length:10mmX25m/Thickness:0.5mm Sales Unit:1 Roll/Weight:192g	—
LH type DIN rail AR-LH	Length:1m/Sales Unit:5 pcs/ Weight (per pc):237g	1
FH type DIN rail AR-FH	Length:1m/Sales Unit:5 pcs/ Weight (per pc):365g	
LK type rail AR-LK	Length:1m/Sales Unit:5 pcs/ Weight (per pc):260g	
Terminal hardware for LH/FH type DIN rail MF-THE	Sales Unit:10pcs/ Weight (per pc):11g	2
Terminal hardware for LK type DIN rail MF-LKB	Sales Unit:10pcs/ Weight (per pc):4.7g	
Protective cap for LH type DIN rail AR-CLH	Sales Unit:10pcs/ Weight (per pc):0.9g	Arbitrary
Protective cap for LK type DIN rail AR-CL	Sales Unit:10pcs/ Weight (per pc):0.9g	
Short-circuiting Bar J-801	Number of polarities	2P 3P 6P 10P
	A size	12.4 19.4 40.4 68.4
	B size	7 14 35 63
	C size	14.5

● “D, E” dimensions (dimension:mm)

Number of polarities	D	E ⁺⁰ ₋₄	Number of polarities	D	E ⁺⁰ ₋₄
2P	45	60	50P	390	405
3P	60	75	55P	420	435
4P	60	75	60P	450	465
5P	75	90	65P	495	510
6P	75	90	70P	525	540
7P	90	105	75P	555	570
8P	90	105	80P	600	615
9P	105	120	85P	630	645
10P	105	120	90P	660	675
15P	135	150	95P	705	720
20P	180	195	100P	735	750
25P	210	225	105P	765	780
30P	240	255	110P	810	825
35P	285	300	115P	840	855
40P	315	330	120P	870	885
45P	345	360			

- TS-801R dimensions computation expression (units:mm)
Basic expression: 7XP+30 P: Number of polarities
D dimension (mounting dimension): Multiple of 15 larger than value obtained from basic expression
E dimension (total length of aluminum rail): D+15

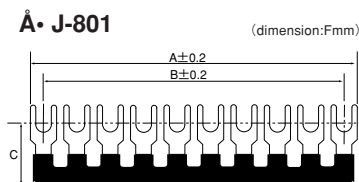
*T his computational expression is up to 140P. For 141P and greater, please consult us separately.

Please see page 5-40 for the D and E dimensions computational expressions when multiple types (TS-801R+TS-802R, etc.) were assembled on one rail.

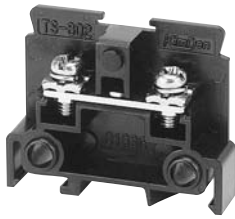
- TS-801R weight co mputational expression (units: g)
7.0XP+41 P: Number of polarities

NOTICE

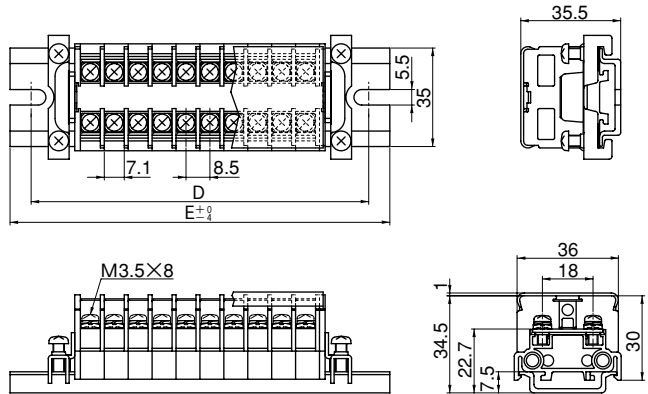
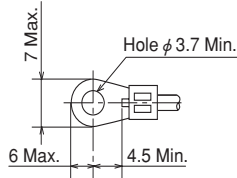
- Use the UL, CSA conforming crimp contacts for an application under the UL, CSA standards.
- Terminal block conduction wire is different depending on the usage conditions (type of wire, number of strands, ambient temperature, etc.)



TS/TSU-802R□P	Matching Wire: 20A:2mm ²	Terminal Screws: M3.5/Self-up	With cover /name tag	
----------------------	-------------------------------------	-------------------------------	----------------------	--



• Applicable crimp terminal



Rated insulation voltage	600V
Connectable wire and conduction current by size	1.25mm ² —15A/0.75mm ² —10A 2mm ² —20A
Matching Wire(AWG/MCM)	18~14
Recommended terminal screw tightening torque	0.8~1.3 N·m
Standard Conformity	JIS C 2811 Industrial Terminal Blocks

• The rail of rail-mounted finished products uses a U-cut rail as shown in the exterior view as AR-LH standards.
There are no rails with 15mm pitch holes. When you want assembly finished products with other rails, please specify the separate rail type.

● Accessories table (See 5-5~7.)

*Amount required is when name tag length is 900mm or less.

		Required amount*
Termination for rail TS-S802	Thickness:2mm/Sales Unit:10 pcs/ Weight (per pc):2.0g	2
Terminal Protection Cover TS-C802	Length:1m /Sales Unit:5 pcs/ Weight (per pc):58g	1
Legend Tag (Flat) TS-M800F	Width x length:10mmX900mm/Thickness:0.5mm Sales Unit:10 pcs/ Weight (per pc):6g	1
Legend Tag (Roll) TS-M800W	WidthX Length:10mmX25m/Thickness:0.5mm Sales Unit:1 Roll/Weight:192g	—
LH type DIN rail AR-LH	Length:1m/Sales Unit:5 pcs/ Weight (per pc):237g	1
FH type DIN rail AR-FH	Length:1m/Sales Unit:5 pcs/ Weight (per pc):365g	
LK type rail AR-LK	Length:1m/Sales Unit:5 pcs/ Weight (per pc):260g	
Terminal hardware for LH/FH type DIN rail MF-THE	Sales Unit:10pcs/ Weight (per pc):11g	2
Terminal hardware for LK type DIN rail MF-LKB	Sales Unit:10pcs/ Weight (per pc):4.7g	
Protective cap for LH type DIN rail AR-CLH	Sales Unit:10pcs/ Weight (per pc):0.9g	Arbitrary
Protective cap for LK type DIN rail AR-CL	Sales Unit:10pcs/ Weight (per pc):0.9g	
Short-circuiting Bar J-802	Number of polarities	
	A size	14.8 23.3 48.8 82.8
	B size	8.5 17 42.5 76.5
	C size	14.1

● “D, E” dimensions (dimension:mm)

Number of polarities	D	E ⁺⁰ ₋₄	Number of polarities	D	E ⁺⁰ ₋₄
2P	60	75	40P	375	390
3P	60	75	45P	420	435
4P	75	90	50P	465	480
5P	75	90	55P	510	525
6P	90	105	60P	540	555
7P	90	105	65P	585	600
8P	105	120	70P	630	645
9P	120	135	75P	675	690
10P	120	135	80P	720	735
15P	165	180	85P	765	780
20P	210	225	90P	795	810
25P	255	270	95P	840	855
30P	285	300	100P	885	900
35P	330	345	105P	930	945

● TS-802R dimensions computation expression (units:mm)

Basic expression: $8.5 \times P + 30$ P: Number of polarities
 D dimension (mounting dimension): Multiple of 15 larger than value obtained from basic expression
 E dimension (total length of aluminum rail): $D + 15$

*T his computational expression is up to 110P. For 111P and greater, please consult us separately.

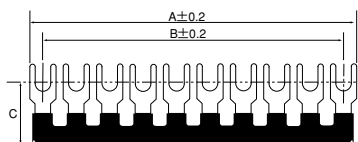
Please see page 5-40 for the D and E dimensions computational expressions when multiple types (TS-801R+TS-802R, etc.) were assembled on one rail.

● TS-802R weight co mputational expression (units: g)

$9.5 \times P + 42$ P: Number of polarities

▲ J-802

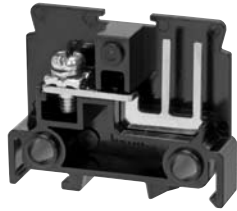
(dimension:Fmm)



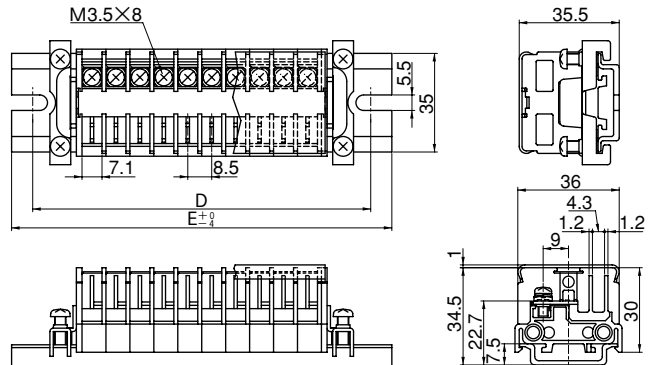
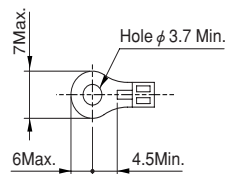
NOTICE

- Use the UL, CSA conforming crimp contacts for an application under the UL, CSA standards.
- Terminal block conduction wire is different depending on the usage conditions (type of wire, number of strands, ambient temperature, etc.)

TS-802LGR□P	Terminal screw side	15A:2mm ²	Terminal Screws	M3.5/Self-up	With cover /name tag
	Wrapping sid	15A:φ0.8X2			



• Applicable crimp terminal



Rated insulation voltage	600V
Connectable wire and conduction current by size	2mm ² —15A / 1.25mm ² —15A
	0.75mm ² —10A / 2mm ² —15A (Terminal screw side) φ0.8X2mm ² —15A (Wrapping side)
Recommended terminal screw tightening torque	0.8~1.3 N·m
Standard Conformity	JIS C 2811 Industrial Terminal Blocks

• The rail of rail-mounted finished products uses a U-cut rail as shown in the exterior view as AR-LH standards.

There are no rails with 15mm pitch holes. When you want assembly finished products with other rails, please specify the separate rail type.

● Accessories table (See 5-5~7.)

*Amount required is when name tag length is 900mm or less.

		Required * amount
Termination for rail TS-S802LGR	Thickness:2mm / Sales Unit:10 pcs / Weight (per pc):2.0g	2
Terminal Protection Cover TS-C802	Length:1m / Sales Unit:5 pcs / Weight (per pc):58g	1
Legend Tag (Flat) TS-M800F	Width x length:10mmX900mm / Thickness:0.5mm / Sales Unit:10 pcs / Weight (per pc):6g	1
Legend Tag (Roll) TS-M800W	Width X Length:10mmX25m / Thickness:0.5mm / Sales Unit:1 Roll / Weight:192g	—
LH type DIN rail AR-LH	Length:1m / Sales Unit:5 pcs / Weight (per pc):237g	1
FH type DIN rail AR-FH	Length:1m / Sales Unit:5 pcs / Weight (per pc):365g	
LK type rail AR-LK	Length:1m / Sales Unit:5 pcs / Weight (per pc):260g	
Terminal hardware for LH/FH type DIN rail MF-THE	Sales Unit:10pcs / Weight (per pc):11g	2
Terminal hardware for LK type DIN rail MF-LKB	Sales Unit:10pcs / Weight (per pc):4.7g	
Protective cap for LH type DIN rail AR-CLH	Sales Unit:10pcs / Weight (per pc):0.9g	Arbitrary
Protective cap for LK type DIN rail AR-CL	Sales Unit:10pcs / Weight (per pc):0.9g	
Short-circuiting Bar J-802	Number of polarities	
	A size	14.8 23.3 48.8 82.8
	B size	8.5 17 42.5 76.5
	C size	14.1

● “D、E” dimensions (dimension:mm)

Number of polarities	D	E ⁺⁰ ₋₄	Number of polarities	D	E ⁺⁰ ₋₄
2P	60	75	40P	375	390
3P	60	75	45P	420	435
4P	75	90	50P	465	480
5P	75	90	55P	510	525
6P	90	105	60P	540	555
7P	90	105	65P	585	600
8P	105	120	70P	630	645
9P	120	135	75P	675	690
10P	120	135	80P	720	735
15P	165	180	85P	765	780
20P	210	225	90P	795	810
25P	255	270	95P	840	855
30P	285	300	100P	885	900
35P	330	345	105P	930	945

● TS-802LGR dimensions computation expression (units:mm)

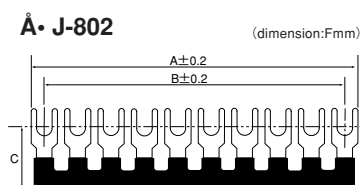
Basic expression: $8.5 \times P + 30$ P: Number of polarities
 D dimension (mounting dimension): Multiple of 15 larger than value obtained from basic expression
 E dimension (total length of aluminum rail): $D + 15$

*This computational expression is up to 110P. For 111P and greater, please consult us separately.

Please see page 5-40 for the D and E dimensions computational expressions when multiple types (TS-801R+TS-802R, etc.) were assembled on one rail.

● TS-802LGR weight computational expression (units:g)

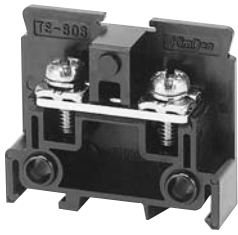
$8.3 \times P + 42$ P: Number of polarities



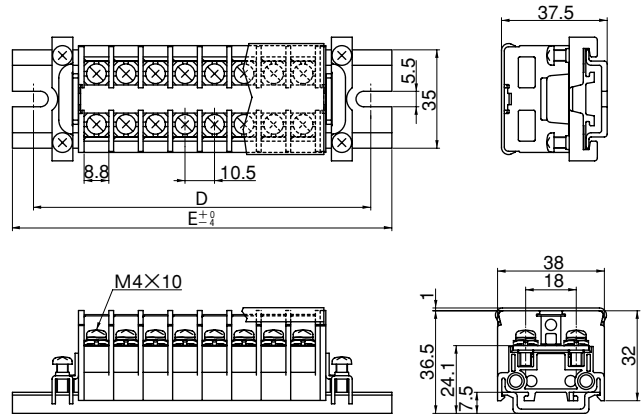
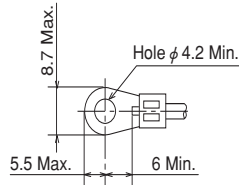
NOTICE

- Use the UL, CSA conforming crimp contacts for an application under the UL, CSA standards.
- Terminal block conduction wire is different depending on the usage conditions (type of wire, number of strands, ambient temperature, etc.)

TS/TSU-803R□P	Matching Wire	30A:3.5mm ²	Terminal Screws	M4/Self-up	With cover /name tag	
----------------------	---------------	------------------------	-----------------	------------	----------------------	--



• Applicable crimp terminal



Rated insulation voltage	600V
Connectable wire and conduction current by size	2mm ² —20A / 1.25mm ² —15A 3.5mm ² —30A
Matching Wire(AWG/MCM)	18~12
Recommended terminal screw tightening torque	1.2~1.8 N·m
Standard Conformity	JIS C 2811 Industrial Terminal Blocks

• The rail of rail-mounted finished products uses a U-cut rail as shown in the exterior view as AR-LH standards.
There are no rails with 15mm pitch holes. When you want assembly finished products with other rails, please specify the separate rail type.

● Accessories table (See 5-5~7.)

*Amount required is when name tag length is 900mm or less.

		Required amount
Termination for rail TS-S803	Thickness:2mm / Sales Unit:10 pcs / Weight (per pc):2.3g	2
Terminal Protection Cover TS-C803	Length:1m / Sales Unit:5 pcs / Weight (per pc):60g	1
Legend Tag (Flat) TS-M800F	Width x length:10mm×900mm / Thickness:0.5mm Sales Unit:10 pcs / Weight (per pc):6g	1
Legend Tag (Roll) TS-M800W	Width× Length:10mm×25m / Thickness:0.5mm Sales Unit:1 Roll / Weight:192g	—
LH type DIN rail AR-LH	Length:1m / Sales Unit:5 pcs / Weight (per pc):237g	1
FH type DIN rail AR-FH	Length:1m / Sales Unit:5 pcs / Weight (per pc):365g	
LK type rail AR-LK	Length:1m / Sales Unit:5 pcs / Weight (per pc):260g	2
Terminal hardware for LH/FH type DIN rail MF-THE	Sales Unit:10pcs / Weight (per pc):11g	
Terminal hardware for LK type DIN rail MF-LKB	Sales Unit:10pcs / Weight (per pc):4.7g	Arbitrary
Protective cap for LH type DIN rail AR-CLH	Sales Unit:10pcs / Weight (per pc):0.9g	
Protective cap for LK type DIN rail AR-CL	Sales Unit:10pcs / Weight (per pc):0.9g	
Short-circuiting Bar J-803	Number of polarities	2P 3P 6P 10P
	A size	18.8 29.3 60.8 102.8
	B size	10.5 21 52.5 94.5
	C size	16.5

● “D、E”dimensions (dimension:mm)

Number of polarities	D	E ⁺⁰ ₋₄	Number of polarities	D	E ⁺⁰ ₋₄
2P	60	75	30P	345	360
3P	75	90	35P	405	420
4P	75	90	40P	450	465
5P	90	105	45P	510	525
6P	105	120	50P	555	570
7P	105	120	55P	615	630
8P	120	135	60P	660	675
9P	135	150	65P	720	735
10P	135	150	70P	765	780
15P	195	210	75P	825	840
20P	240	255	80P	870	885
25P	300	315	85P	930	945

● TS-803R dimensions computation expression (units:mm)
Basic expression: 10.5×P+30 P: Number of polarities
D dimension (mounting dimension): Multiple of 15 larger than value obtained from basic expression
E dimension (total length of aluminum rail): D+15

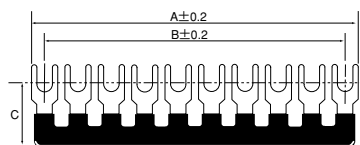
*T his computational expression is up to 95P. For 96P and greater, please consult us separately.

Please see page 5-40 for the D and E dimensions computational expressions when multiple types (TS-801R+TS-802R, etc.) were assembled on one rail.

● TS-803R weight co mputational expression (units: g)
13.9×P+43 P: Number of polarities

▼ J-803

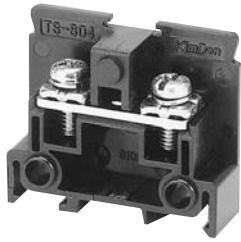
(dimension:Fmm)



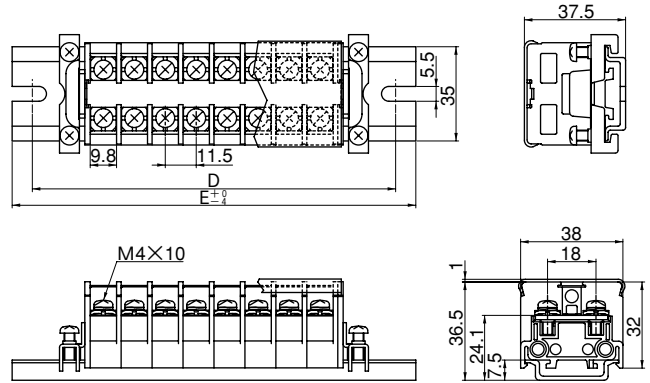
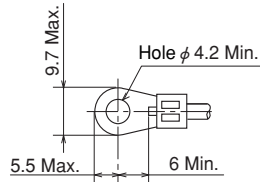
NOTICE

- Use the UL, CSA conforming crimp contacts for an application under the UL, CSA standards.
- Terminal block conduction wire is different depending on the usage conditions (type of wire, number of strands, ambient temperature, etc.)

TS/TSU-804R□P	Matching Wire	40A:5.5mm ²	Terminal Screws	M4/Self-up	With cover /name tag	
----------------------	---------------	------------------------	-----------------	------------	----------------------	--



• Applicable crimp terminal



Rated insulation voltage	600V
Connectable wire and conduction current by size	3.5mm ² —30A/2mm ² —20A 5.5mm ² —40A
Matching Wire(AWG/MCM)	14~10
Recommended terminal screw tightening torque	1.2~1.8 N·m
Standard Conformity	JIS C 2811 Industrial Terminal Blocks

• The rail of rail-mounted finished products uses a U-cut rail as shown in the exterior view as AR-LH standards.
There are no rails with 15mm pitch holes. When you want assembly finished products with other rails, please specify the separate rail type.

● Accessories table (See 5-5~7.)

*Amount required is when name tag length is 900mm or less.

		Required amount
Termination for rail TS-S804	Thickness:2mm/Sales Unit:10 pcs/ Weight (per pc):2.3g	2
Terminal Protection Cover TS-C804	Length:1m /Sales Unit:5 pcs/ Weight (per pc):60g	1
Legend Tag (Flat) TS-M800F	Width x length:10mmX900mm/Thickness:0.5mm Sales Unit:10 pcs/ Weight (per pc):6g	1
Legend Tag (Roll) TS-M800W	WidthX Length:10mmX25m/Thickness:0.5mm Sales Unit:1 Roll/Weight:192g	—
LH type DIN rail AR-LH	Length:1m/Sales Unit:5 pcs/ Weight (per pc):237g	1
FH type DIN rail AR-FH	Length:1m/Sales Unit:5 pcs/ Weight (per pc):365g	
LK type rail AR-LK	Length:1m/Sales Unit:5 pcs/ Weight (per pc):260g	2
Terminal hardware for LH/FH type DIN rail MF-THE	Sales Unit:10pcs/ Weight (per pc):11g	
Terminal hardware for LK type DIN rail MF-LKB	Sales Unit:10pcs/ Weight (per pc):4.7g	
Protective cap for LH type DIN rail AR-CLH	Sales Unit:10pcs/ Weight (per pc):0.9g	Arbitrary
Protective cap for LK type DIN rail AR-CL	Sales Unit:10pcs/ Weight (per pc):0.9g	
Short-circuiting Bar J-804	Number of polarities	
	A size	20.5 32 66.5 112.5
	B size	11.5 23 57.5 103.5
	C size	16.5

● “D, E” dimensions (dimension:mm)

Number of polarities	D	E ⁺⁰ ₋₄	Number of polarities	D	E ⁺⁰ ₋₄
2P	60	75	25P	330	345
3P	75	90	30P	375	390
4P	90	105	35P	435	450
5P	90	105	40P	495	510
6P	105	120	45P	555	570
7P	120	135	50P	615	630
8P	135	150	55P	675	690
9P	135	150	60P	720	735
10P	150	165	65P	780	795
15P	210	225	70P	840	855
20P	270	285	75P	900	915

● TS-804R dimensions computation expression (units:mm)
Basic expression: 11.5XP+30 P: Number of polarities
D dimension (mounting dimension): Multiple of 15 larger than value obtained from basic expression
E dimension (total length of aluminum rail): D+15

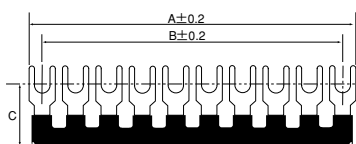
*This computational expression is up to 85P. For 86P and greater, please consult us separately.

Please see page 5-40 for the D and E dimensions computational expressions when multiple types (TS-801R+TS-802R, etc.) were assembled on one rail.

● TS-804R weight computational expression (units:g)
15.0XP+43 P: Number of polarities

▲ J-804

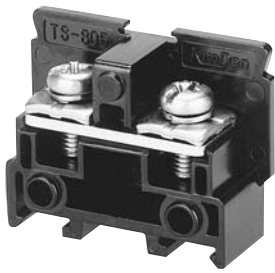
(dimension:Fmm)



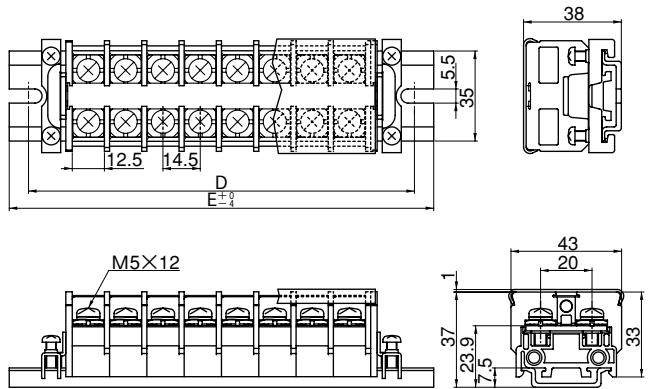
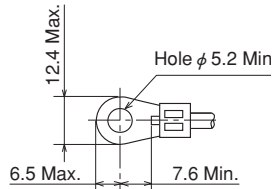
NOTICE

- Use the UL, CSA conforming crimp contacts for an application under the UL, CSA standards.
- Terminal block conduction wire is different depending on the usage conditions (type of wire, number of strands, ambient temperature, etc.)

TS/TSU-805R□P	Matching Wire	50A:8mm ²	Terminal Screws	M5/Self-up	With cover /name tag	
----------------------	---------------	----------------------	-----------------	------------	----------------------	--



• Applicable crimp terminal



Rated insulation voltage	600V
Connectable wire and conduction current by size	5.5mm ² —40A/3.5mm ² —30A 8mm ² —50A
Matching Wire(AWG/MCM)	12~8
Recommended terminal screw tightening torque	2~3 N·m
Standard Conformity	JIS C 2811 Industrial Terminal Blocks

• The rail of rail-mounted finished products uses a U-cut rail as shown in the exterior view as AR-LH standards.
There are no rails with 15mm pitch holes. When you want assembly finished products with other rails, please specify the separate rail type.

● Accessories table (See 5-5~7.)

*Amount required is when name tag length is 900mm or less.

		Required amount*
Termination for rail TS-S805	Thickness:2.5mm/Sales Unit:10 pcs/ Weight (per pc):3.1g	2
Terminal Protection Cover TS-C805	Length:1m/Sales Unit:5 pcs/ Weight (per pc):72g	1
Legend Tag (Flat) TS-M800F	Width x length:10mmX900mm/Thickness:0.5mm Sales Unit:10 pcs/ Weight (per pc):6g	1
Legend Tag (Roll) TS-M800W	WidthX Length:10mmX25m/Thickness:0.5mm Sales Unit:1 Roll/Weight:192g	—
LH type DIN rail AR-LH	Length:1m/Sales Unit:5 pcs/ Weight (per pc):237g	1
FH type DIN rail AR-FH	Length:1m/Sales Unit:5 pcs/ Weight (per pc):365g	
LK type rail AR-LK	Length:1m/Sales Unit:5 pcs/ Weight (per pc):260g	
Terminal hardware for LH/FH type DIN rail MF-THE	Sales Unit:10pcs/ Weight (per pc):11g	2
Terminal hardware for LK type DIN rail MF-LKB	Sales Unit:10pcs/ Weight (per pc):4.7g	
Protective cap for LH type DIN rail AR-CLH	Sales Unit:10pcs/ Weight (per pc):0.9g	Arbitrary
Protective cap for LK type DIN rail AR-CL	Sales Unit:10pcs/ Weight (per pc):0.9g	

● “D、E” dimensions (dimension:mm)

Number of polarities	D	E ⁺⁰ ₋₄	Number of polarities	D	E ⁺⁰ ₋₄
2P	60	75	24P	390	405
3P	75	90	25P	405	420
4P	90	105	26P	420	435
5P	105	120	28P	450	465
6P	120	135	30P	480	495
7P	135	150	32P	495	510
8P	150	165	34P	525	540
9P	165	180	35P	540	555
10P	180	195	36P	555	570
12P	210	225	38P	585	600
14P	240	255	40P	615	630
16P	270	285	45P	690	705
18P	300	315	50P	765	780
20P	330	345	55P	840	855
22P	360	375	60P	915	930

● TS-805R dimensions computation expression (units:mm)

Basic expression: $14.5 \times P + 31$ P: Number of polarities
D dimension (mounting dimension): Multiple of 15 larger than value obtained from basic expression
E dimension (total length of aluminum rail): $D + 15$

*T his computational expression is up to 70P. For 71P and greater, please consult us separately.

Please see page 5-40 for the D and E dimensions computational expressions when multiple types (TS-801R+TS-802R, etc.) were assembled on one rail.

● TS-805R weight co mputational expression (units: g)

$25.8 \times P + 45$ P: Number of polarities

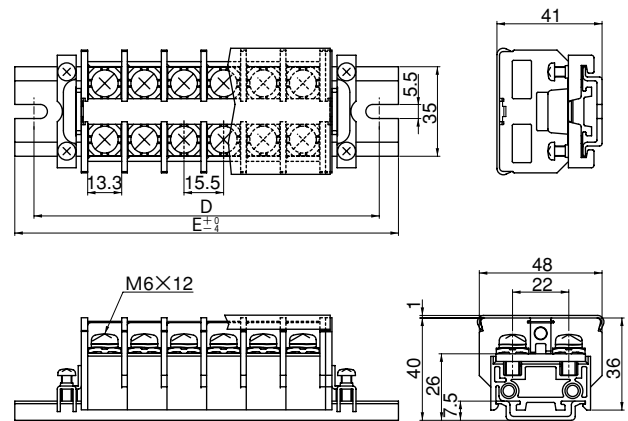
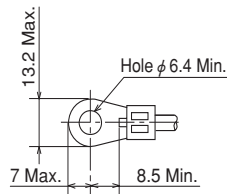
NOTICE

- Use the UL, CSA conforming crimp contacts for an application under the UL, CSA standards.
- Terminal block conduction wire is different depending on the usage conditions (type of wire, number of strands, ambient temperature, etc.)

TS/TSU-806R□P	Matching Wire	70A:14mm ²	Terminal Screws	M6/Self-up	With cover /name tag	
----------------------	---------------	-----------------------	-----------------	------------	----------------------	--



• Applicable crimp terminal



Rated insulation voltage	600V
Connectable wire and conduction current by size	8mm ² —50A / 5.5mm ² —40A 14mm ² —70A
Matching Wire(AWG/MCM)	10~6
Recommended terminal screw tightening torque	2.5~4.0 N·m
Standard Conformity	JIS C 2811 Industrial Terminal Blocks

• The rail of rail-mounted finished products uses a U-cut rail as shown in the exterior view as AR-LH standards.
There are no rails with 15mm pitch holes. When you want assembly finished products with other rails, please specify the separate rail type.

● Accessories table (See 5-5~7.)

*Amount required is when name tag length is 900mm or less.

		Required * amount
Termination for rail TS-S806	Thickness:2.5mm / Sales Unit:10 pcs / Weight (per pc):3.1g	2
Terminal Protection Cover TS-C806	Length:1m / Sales Unit:5 pcs / Weight (per pc):78g	1
Legend Tag (Flat) TS-M800F	Width x length:10mm×900mm / Thickness:0.5mm Sales Unit:10 pcs / Weight (per pc):6g	1
Legend Tag (Roll) TS-M800W	Width× Length:10mm×25m / Thickness:0.5mm Sales Unit:1 Roll / Weight:192g	—
LH type DIN rail AR-LH	Length:1m / Sales Unit:5 pcs / Weight (per pc):237g	1
FH type DIN rail AR-FH	Length:1m / Sales Unit:5 pcs / Weight (per pc):365g	
LK type rail AR-LK	Length:1m / Sales Unit:5 pcs / Weight (per pc):260g	2
Terminal hardware for LH/FH type DIN rail MF-THE	Sales Unit:10pcs / Weight (per pc):11g	
Terminal hardware for LK type DIN rail MF-LKB	Sales Unit:10pcs / Weight (per pc):4.7g	Arbitrary
Protective cap for LH type DIN rail AR-CLH	Sales Unit:10pcs / Weight (per pc):0.9g	
Protective cap for LK type DIN rail AR-CL	Sales Unit:10pcs / Weight (per pc):0.9g	

● “D、E” dimensions (dimension:mm)

Number of polarities	D	E ⁺⁰ ₋₄	Number of polarities	D	E ⁺⁰ ₋₄
2P	75	90	22P	375	390
3P	90	105	24P	405	420
4P	105	120	25P	420	435
5P	120	135	26P	435	450
6P	135	150	28P	465	480
7P	150	165	30P	510	525
8P	165	180	32P	540	555
9P	180	195	34P	570	585
10P	195	210	35P	585	600
12P	225	240	36P	600	615
14P	255	270	38P	630	645
15P	270	285	40P	660	675
16P	285	300	45P	735	750
18P	315	330	50P	810	825
20P	345	360	55P	885	900

● TS-806R dimensions computation expression (units:mm)
Basic expression: 15.5×P+31 P: Number of polarities
D dimension (mounting dimension): Multiple of 15 larger than value obtained from basic expression
E dimension (total length of aluminum rail): D+15

*This computational expression is up to 65P. For 66P and greater, please consult us separately.

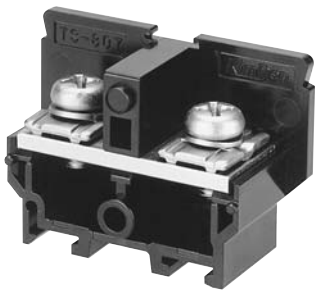
Please see page 5-40 for the D and E dimensions computational expressions when multiple types (TS-801R+TS-802R, etc.) were assembled on one rail.

● TS-806R weight computational expression (units: g)
34.8×P+46 P: Number of polarities

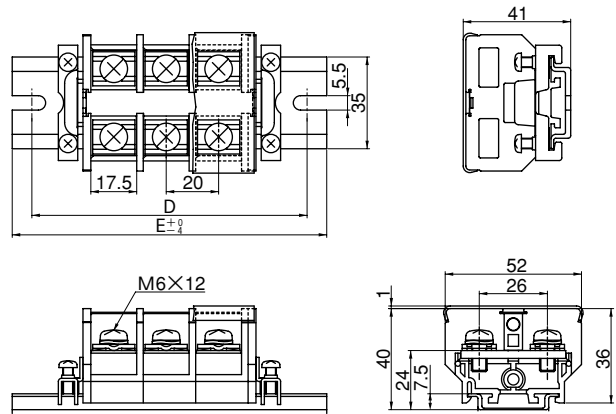
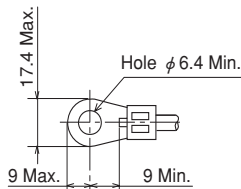
NOTICE

- Use the UL, CSA conforming crimp contacts for an application under the UL, CSA standards.
- Terminal block conduction wire is different depending on the usage conditions (type of wire, number of strands, ambient temperature, etc.)

TS/TSU-807R□P	Matching Wire	90A:22mm ²	Terminal Screws	M6/Self-up	With cover /name tag	
----------------------	---------------	-----------------------	-----------------	------------	----------------------	--



• Applicable crimp terminal



Rated insulation voltage	600V
Connectable wire and conduction current by size	14mm ² —70A / 8mm ² —50A 22mm ² —90A
Matching Wire(AWG/MCM)	8~4
Recommended terminal screw tightening torque	2.5~4.0 N·m
Standard Conformity	JIS C 2811 Industrial Terminal Blocks

• The rail of rail-mounted finished products uses a U-cut rail as shown in the exterior view as AR-LH standards.
There are no rails with 15mm pitch holes. When you want assembly finished products with other rails, please specify the separate rail type.

● Accessories table (See 5-5~7.)

*Amount required is when name tag length is 900mm or less.

		Required amount*
Termination for rail TS-S807	Thickness:3mm / Sales Unit:10 pcs / Weight (per pc):5.0g	2
Terminal Protection Cover TS-C807	Length:1m / Sales Unit:5 pcs / Weight (per pc):79g	1
Legend Tag (Flat) TS-M800F	Width x length:10mmX900mm / Thickness:0.5mm Sales Unit:10 pcs / Weight (per pc):6g	1
Legend Tag (Roll) TS-M800W	Width X Length:10mmX25m / Thickness:0.5mm Sales Unit:1 Roll / Weight:192g	—
LH type DIN rail AR-LH	Length:1m / Sales Unit:5 pcs / Weight (per pc):237g	1
FH type DIN rail AR-FH	Length:1m / Sales Unit:5 pcs / Weight (per pc):365g	
LK type rail AR-LK	Length:1m / Sales Unit:5 pcs / Weight (per pc):260g	
Terminal hardware for LH/FH type DIN rail MF-THE	Sales Unit:10pcs / Weight (per pc):11g	2
Terminal hardware for LK type DIN rail MF-LKB	Sales Unit:10pcs / Weight (per pc):4.7g	
Protective cap for LH type DIN rail AR-CLH	Sales Unit:10pcs / Weight (per pc):0.9g	Arbitrary
Protective cap for LK type DIN rail AR-CL	Sales Unit:10pcs / Weight (per pc):0.9g	

● “D、E” dimensions (dimension:mm)

Number of polarities	D	E ⁺⁰ ₋₄	Number of polarities	D	E ⁺⁰ ₋₄
2P	75	90	20P	435	450
3P	105	120	22P	480	495
4P	120	135	24P	525	540
5P	135	150	25P	540	555
6P	165	180	26P	555	570
7P	180	195	28P	600	615
8P	195	210	30P	645	660
9P	225	240	32P	675	690
10P	240	255	34P	720	735
12P	285	300	35P	735	750
14P	315	330	36P	765	780
15P	345	360	38P	795	810
16P	360	375	40P	840	855
18P	405	420			

● TS-807R dimensions computation expression (units:mm)
Basic expression: 20XP+32 P: Number of polarities
D dimension (mounting dimension): Multiple of 15 larger than value obtained from basic expression
E dimension (total length of aluminum rail): D+15

*T his computational expression is up to 50P. For 51P and greater, please consult us separately.

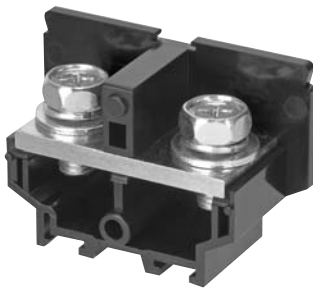
Please see page 5-40 for the D and E dimensions computational expressions when multiple types (TS-801R+TS-802R, etc.) were assembled on one rail.

● TS-807R weight computational expression (units: g)
44.6XP+48 P: Number of polarities

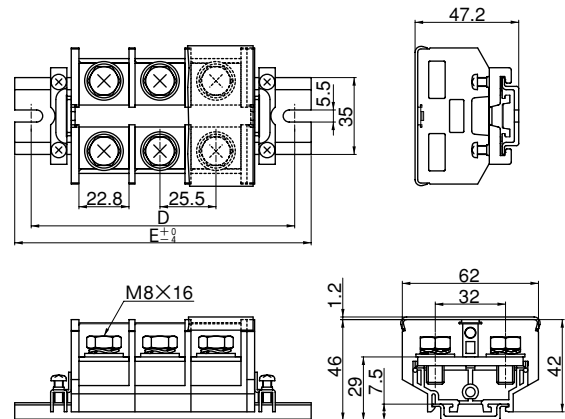
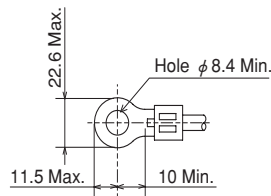
NOTICE

- Use the UL, CSA conforming crimp contacts for an application under the UL, CSA standards.
- Terminal block conduction wire is different depending on the usage conditions (type of wire, number of strands, ambient temperature, etc.)

TS/TSU-808R□P	Matching Wire	150A:38mm ²	Terminal Screws	M8/ Hexagonal bolt with cross hole	With cover /name tag	
----------------------	---------------	------------------------	-----------------	------------------------------------	----------------------	--



• Applicable crimp terminal



Rated insulation voltage	600V
Connectable wire and conduction current by size	22mm ² —90A / 14mm ² —70A 38mm ² —150A
Matching Wire(AWG/MCM)	6~2 (130A) 6~2/0 (150A)
Recommended terminal screw tightening torque	6~10 N·m
Standard Conformity	JIS C 2811 Industrial Terminal Blocks

• The rail of rail-mounted finished products uses a U-cut rail as shown in the exterior view as AR-LH standards.
There are no rails with 15mm pitch holes. When you want assembly finished products with other rails, please specify the separate rail type.

● Accessories table (See 5-5~7.)

*Amount required is when name tag length is 900mm or less.

		Required * amount
Termination for rail TS-S808	Thickness:3.5mm / Sales Unit:10 pcs / Weight (per pc):8.2g	2
Terminal Protection Cover TS-C808	Length:1m / Sales Unit:5 pcs / Weight (per pc):99g	1
Legend Tag (Flat) TS-M800F	Width x length:10mmX900mm / Thickness:0.5mm Sales Unit:10 pcs / Weight (per pc):6g	1
Legend Tag (Roll) TS-M800W	Width X Length:10mmX25m / Thickness:0.5mm Sales Unit:1 Roll / Weight:192g	—
LH type DIN rail AR-LH	Length:1m / Sales Unit:5 pcs / Weight (per pc):237g	1
FH type DIN rail AR-FH	Length:1m / Sales Unit:5 pcs / Weight (per pc):365g	
LK type rail AR-LK	Length:1m / Sales Unit:5 pcs / Weight (per pc):260g	
Terminal hardware for LH/FH type DIN rail MF-THE	Sales Unit:10pcs / Weight (per pc):11g	2
Terminal hardware for LK type DIN rail MF-LKB	Sales Unit:10pcs / Weight (per pc):4.7g	
Protective cap for LH type DIN rail AR-CLH	Sales Unit:10pcs / Weight (per pc):0.9g	Arbitrary
Protective cap for LK type DIN rail AR-CL	Sales Unit:10pcs / Weight (per pc):0.9g	

● “D、E” dimensions (dimension:mm)

Number of polarities	D	E ⁺⁰ ₋₄	Number of polarities	D	E ⁺⁰ ₋₄
2P	90	105	17P	480	495
3P	120	135	18P	495	510
4P	135	150	19P	525	540
5P	165	180	20P	555	570
6P	195	210	21P	570	585
7P	225	240	22P	600	615
8P	240	255	23P	630	645
9P	270	285	24P	645	660
10P	300	315	25P	675	690
11P	315	330	26P	705	720
12P	345	360	27P	735	750
13P	375	390	28P	750	765
14P	390	405	29P	780	795
15P	420	435	30P	810	825
16P	450	465	35P	930	945

● TS-808R dimensions computation expression (units:mm)
Basic expression: 25.5×P+33 P: Number of polarities
D dimension (mounting dimension): Multiple of 15 larger than value obtained from basic expression
E dimension (total length of aluminum rail): D+15

*This computational expression is up to 40P. For 41P and greater, please consult us separately.

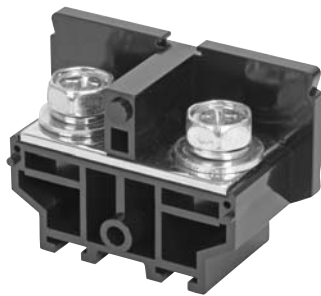
Please see page 5-40 for the D and E dimensions computational expressions when multiple types (TS-801R+TS-802R, etc.) were assembled on one rail.

● TS-808R weight computational expression (units: g)
86.1×P+54 P: Number of polarities

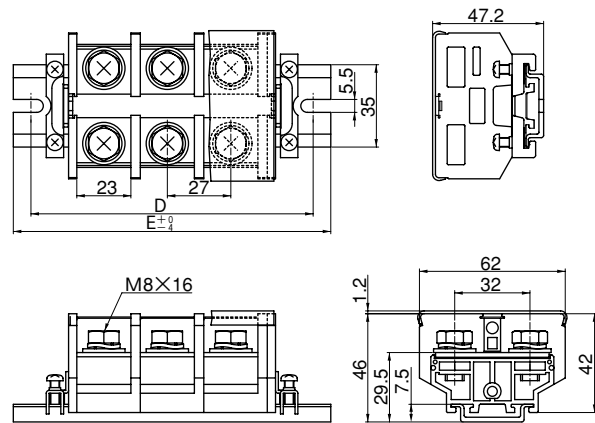
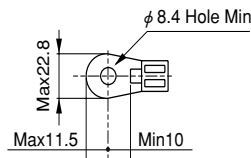
NOTICE

- Use the UL, CSA conforming crimp contacts for an application under the UL, CSA standards.
- Terminal block conduction wire is different depending on the usage conditions (type of wire, number of strands, ambient temperature, etc.)

TS/TSU-808LR□P	Matching Wire 175A:60mm ²	Terminal Screws M8/Hexagonal bolt with cross hole	With cover /name tag	  
-----------------------	---	--	----------------------	---



• Applicable crimp terminal



Rated insulation voltage	600V
Connectable wire and conduction current by size	38mm ² —150A/22mm ² —90A 60mm ² —175A
Matching Wire(AWG/MCM)	4~2/0
Recommended terminal screw tightening torque	6~10 N·m
Standard Conformity	JIS C 2811 Industrial Terminal Blocks

• The rail of rail-mounted finished products uses a U-cut rail as shown in the exterior view as AR-LH standards.
There are no rails with 15mm pitch holes. When you want assembly finished products with other rails, please specify the separate rail type.

● Accessories table (See 5-5~7.)

*Amount required is when name tag length is 900mm or less.

		Required amount*
Termination for rail TS-S808	Thickness:3.5mm/Sales Unit:10 pcs/ Weight (per pc):8.2g	2
Terminal Protection Cover TS-C808	Length:1m/Sales Unit:5 pcs/ Weight (per pc):99g	1
Legend Tag (Flat) TS-M800F	Width x length:10mmX900mm/Thickness:0.5mm Sales Unit:10 pcs/ Weight (per pc):6g	1
Legend Tag (Roll) TS-M800W	WidthX Length:10mmX25m/Thickness:0.5mm Sales Unit:1 Roll/Weight:192g	—
LH type DIN rail AR-LH	Length:1m/Sales Unit:5 pcs/ Weight (per pc):237g	1
FH type DIN rail AR-FH	Length:1m/Sales Unit:5 pcs/ Weight (per pc):365g	
LK type rail AR-LK	Length:1m/Sales Unit:5 pcs/ Weight (per pc):260g	
Terminal hardware for LH/FH type DIN rail MF-THE	Sales Unit:10pcs/ Weight (per pc):11g	2
Terminal hardware for LK type DIN rail MF-LKB	Sales Unit:10pcs/ Weight (per pc):4.7g	
Protective cap for LH type DIN rail AR-CLH	Sales Unit:10pcs/ Weight (per pc):0.9g	Arbitrary
Protective cap for LK type DIN rail AR-CL	Sales Unit:10pcs/ Weight (per pc):0.9g	

● “D, E” dimensions (dimension:mm)

Number of polarities	D	E ⁺⁰ ₋₄	Number of polarities	D	E ⁺⁰ ₋₄
2P	90	105	17P	495	510
3P	120	135	18P	525	540
4P	150	165	19P	555	570
5P	180	195	20P	585	600
6P	195	210	21P	600	615
7P	225	240	22P	630	645
8P	255	270	23P	660	675
9P	285	300	24P	690	705
10P	315	330	25P	720	735
11P	330	345	26P	735	750
12P	360	375	27P	765	780
13P	390	405	28P	795	810
14P	420	435	29P	825	840
15P	450	465	30P	855	870
16P	465	480			

● TS-808LR dimensions computation expression (units:mm)
Basic expression: 27X P+33 P: Number of polarities
D dimension (mounting dimension): Multiple of 15 larger than value obtained from basic expression
E dimension (total length of aluminum rail): D+15

*T his computational expression is up to 35P. For 36P and greater, please consult us separately.

Please see page 5-40 for the D and E dimensions computational expressions when multiple types (TS-801R+TS-802R, etc.) were assembled on one rail.

● TS-808LR weight co mputational expression (units: g)
79.4X P+54 P: Number of polarities

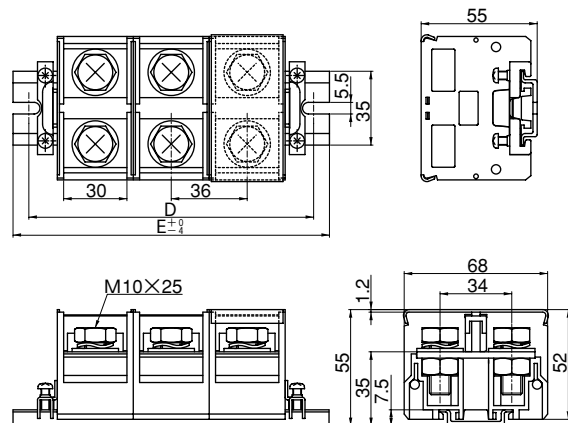
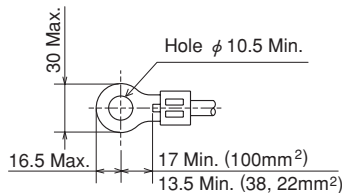
NOTICE

- Use the UL, CSA conforming crimp contacts for an application under the UL, CSA standards.
- Terminal block conduction wire is different depending on the usage conditions (type of wire, number of strands, ambient temperature, etc.)

TS/TSU-809R□P	Matching Wire	240A:100mm ²	Terminal Screws	M10/ Hexagonal bolt with cross hole	With cover /name tag	  
----------------------	---------------	-------------------------	-----------------	-------------------------------------	----------------------	---



• Applicable crimp terminal



Rated insulation voltage	600V
Connectable wire and conduction current by size	38mm ² —130A / 22mm ² —90A 60mm ² —175A / 100mm ² —240A
Matching Wire(AWG/MCM)	4~2/0
Recommended terminal screw tightening torque	10~20 N·m
Standard Conformity	JIS C 2811 Industrial Terminal Blocks

• The rail of rail-mounted finished products uses a U-cut rail as shown in the exterior view as AR-LH standards.
There are no rails with 15mm pitch holes. When you want assembly finished products with other rails, please specify the separate rail type.

● Accessories table (See 5-5~7.)

*Amount required is when name tag length is 900mm or less.

		Required amount
Termination for rail TS-S809	1 piece for one polarity / Sales Unit:10 pcs / Weight (per pc):3.7g	1
Legend Tag (Flat) TS-M800F	Width x length:10mmX900mm / Thickness:0.5mm Sales Unit:10 pcs / Weight (per pc):6g	1
Legend Tag (Roll) TS-M800W	Width X Length:10mmX25m / Thickness:0.5mm Sales Unit:1 Roll / Weight:192g	—
LH type DIN rail AR-LH	Length:1m / Sales Unit:5 pcs / Weight (per pc):237g	1
FH type DIN rail AR-FH	Length:1m / Sales Unit:5 pcs / Weight (per pc):365g	
LK type rail AR-LK	Length:1m / Sales Unit:5 pcs / Weight (per pc):260g	2
Terminal hardware for LH/FH type DIN rail MF-THE	Sales Unit:10pcs / Weight (per pc):11g	
Terminal hardware for LK type DIN rail MF-LKB	Sales Unit:10pcs / Weight (per pc):4.7g	Arbitrary
Protective cap for LH type DIN rail AR-CLH	Sales Unit:10pcs / Weight (per pc):0.9g	
Protective cap for LK type DIN rail AR-CL	Sales Unit:10pcs / Weight (per pc):0.9g	

● “D, E” dimensions (dimension:mm)

Number of polarities	D	E ⁺⁰ ₋₄	Number of polarities	D	E ⁺⁰ ₋₄
2P	105	120	12P	465	480
3P	135	150	13P	495	510
4P	180	195	14P	540	555
5P	210	225	15P	570	585
6P	255	270	16P	615	630
7P	285	300	17P	645	660
8P	315	330	18P	675	690
9P	360	375	19P	720	735
10P	390	405	20P	750	765
11P	435	450			

● TS-809R dimensions computation expression (units:mm)

Basic expression: $36 \times P + 26$ P: Number of polarities
D dimension (mounting dimension): Multiple of 15 larger than value obtained from basic expression
E dimension (total length of aluminum rail): $D + 15$

*This computational expression is up to 20P. For 21P and greater, please consult us separately.

Please see page 5-40 for the D and E dimensions computational expressions when multiple types (TS-801R+TS-802R, etc.) were assembled on one rail.

● TS-809R weight computational expression (units:g)

$172 \times P + 35$ P: Number of polarities

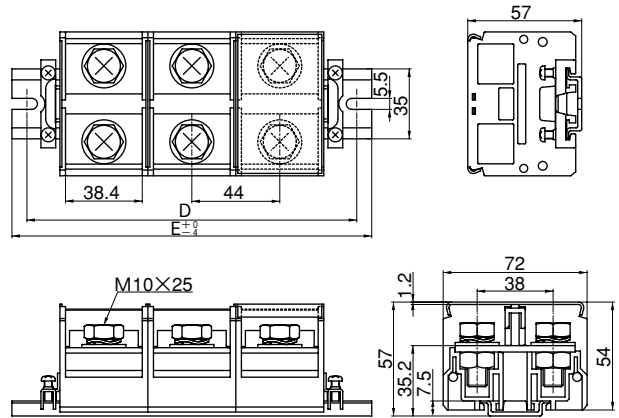
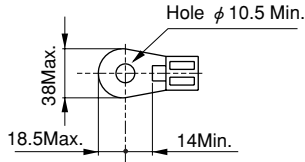
NOTICE

- Use the UL, CSA conforming crimp contacts for an application under the UL, CSA standards.
- Terminal block conduction wire is different depending on the usage conditions (type of wire, number of strands, ambient temperature, etc.)

TS/TSU-809LR□P	Matching Wire	310A:150mm ²	Terminal Screws	M10/ Hexagonal bolt with cross hole	With cover /name tag	  
-----------------------	---------------	-------------------------	-----------------	-------------------------------------	----------------------	---



• Applicable crimp terminal



Rated insulation voltage	600V
Connectable wire and conduction current by size	100mm ² —240A/60mm ² —175A 150mm ² —310A
Matching Wire(AWG/MCM)	2/0~300
Recommended terminal screw tightening torque	10~20 N·m
Standard Conformity	JIS C 2811 Industrial Terminal Blocks

• The rail of rail-mounted finished products uses a U-cut rail as shown in the exterior view as AR-LH standards.
There are no rails with 15mm pitch holes. When you want assembly finished products with other rails, please specify the separate rail type.

● Accessories table (See 5-5~7.)

*Amount required is when name tag length is 900mm or less.

		Required * amount
Termination for rail TS-S809L	1 piece for one polarity /Sales Unit:10 pcs/ Weight (per pc):5.8g	1
Legend Tag (Flat) TS-M800F	Width x length:10mmX900mm/Thickness:0.5mm Sales Unit:10 pcs/ Weight (per pc):6g	1
Legend Tag (Roll) TS-M800W	WidthX Length:10mmX25m/Thickness:0.5mm Sales Unit:1 Roll/Weight:192g	—
LH type DIN rail AR-LH	Length:1m/Sales Unit:5 pcs/ Weight (per pc):237g	1
FH type DIN rail AR-FH	Length:1m/Sales Unit:5 pcs/ Weight (per pc):365g	
LK type rail AR-LK	Length:1m/Sales Unit:5 pcs/ Weight (per pc):260g	
Terminal hardware for LH/FH type DIN rail MF-THE	Sales Unit:10pcs/ Weight (per pc):11g	2
Terminal hardware for LK type DIN rail MF-LKB	Sales Unit:10pcs/ Weight (per pc):4.7g	
Protective cap for LH type DIN rail AR-CLH	Sales Unit:10pcs/ Weight (per pc):0.9g	Arbitrary
Protective cap for LK type DIN rail AR-CL	Sales Unit:10pcs/ Weight (per pc):0.9g	

● “D、E” dimensions (dimension:mm)

Number of polarities	D	E ⁺⁰ ₋₄
2P	120	135
3P	165	180
4P	210	225
5P	255	270
6P	300	315
7P	345	360
8P	390	405
9P	435	450
10P	480	495

Number of polarities	D	E ⁺⁰ ₋₄
11P	510	525
12P	555	570
13P	600	615
14P	645	660
15P	690	705

● TS-809LR dimensions computation expression (units:mm)
Basic expression: 44XP+26 P: Number of polarities
D dimension (mounting dimension): Multiple of 15 larger than value obtained from basic expression
E dimension (total length of aluminum rail): D+15

*T his computational expression is up to 15P. For 16P and greater, please consult us separately.

Please see page 5-40 for the D and E dimensions computational expressions when multiple types (TS-801R+TS-802R, etc.) were assembled on one rail.

● TS-809LR weight co mputational expression (units: g)
198.1XP+35 P: Number of polarities

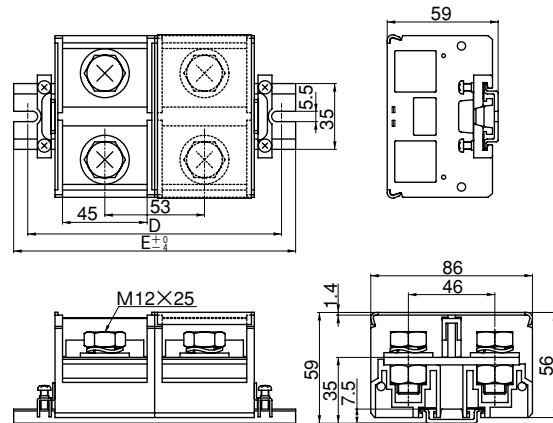
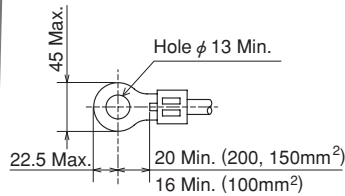
NOTICE

- Use the UL, CSA conforming crimp contacts for an application under the UL, CSA standards.
- Terminal block conduction wire is different depending on the usage conditions (type of wire, number of strands, ambient temperature, etc.)

TS/TSU-810R□P	Matching Wire	400A:200mm ²	Terminal Screws	M12/ Hexagonal bolt with cross hole	With cover /name tag	  
----------------------	---------------	-------------------------	-----------------	-------------------------------------	----------------------	---



• Applicable crimp terminal



Rated insulation voltage	600V
Connectable wire and conduction current by size	150mm ² —310A/100mm ² —240A 200mm ² —400A
Matching Wire(AWG/MCM)	4/0 ~400
Recommended terminal screw tightening torque	14~35 N·m
Standard Conformity	JIS C 2811 Industrial Terminal Blocks

• The rail of rail-mounted finished products uses a U-cut rail as shown in the exterior view as AR-LH standards.
There are no rails with 15mm pitch holes. When you want assembly finished products with other rails, please specify the separate rail type.

● Accessories table (See 5-5~7.)

*Amount required is when name tag length is 900mm or less.

		Required amount
Termination for rail TS-S810	1 piece for one polarity / Sales Unit:10 pcs / Weight (per pc):7.5g	1
Legend Tag (Flat) TS-M800F	Width x length:10mmX900mm / Thickness:0.5mm Sales Unit:10 pcs / Weight (per pc):6g	1
Legend Tag (Roll) TS-M800W	Width X Length:10mmX25m / Thickness:0.5mm Sales Unit:1 Roll / Weight:192g	—
LH type DIN rail AR-LH	Length:1m / Sales Unit:5 pcs / Weight (per pc):237g	1
FH type DIN rail AR-FH	Length:1m / Sales Unit:5 pcs / Weight (per pc):365g	
LK type rail AR-LK	Length:1m / Sales Unit:5 pcs / Weight (per pc):260g	
Terminal hardware for LH/FH type DIN rail MF-THE	Sales Unit:10pcs / Weight (per pc):11g	2
Terminal hardware for LK type DIN rail MF-LKB	Sales Unit:10pcs / Weight (per pc):4.7g	
Protective cap for LH type DIN rail AR-CLH	Sales Unit:10pcs / Weight (per pc):0.9g	Arbitrary
Protective cap for LK type DIN rail AR-CL	Sales Unit:10pcs / Weight (per pc):0.9g	

● “D、E” dimensions (dimension:mm)

Number of polarities	D	E ⁺⁰ ₋₄	Number of polarities	D	E ⁺⁰ ₋₄
2P	135	150	11P	615	630
3P	195	210	12P	675	690
4P	240	255	13P	720	735
5P	300	315	14P	780	795
6P	345	360	15P	825	840
7P	405	420			
8P	450	465			
9P	510	525			
10P	570	585			

● TS-810R dimensions computational expression (units:mm)
Basic expression: 53XP+26 P: Number of polarities
D dimension (mounting dimension): Multiple of 15 larger than value obtained from basic expression
E dimension (total length of aluminum rail): D+15

*T his computational expression is up to 15P. For 16P and greater, please consult us separately.

Please see page 5-40 for the D and E dimensions computational expressions when multiple types (TS-801R+TS-802R, etc.) were assembled on one rail.

● TS-810R weight computational expression (units: g)
322.9XP+36 P: Number of polarities

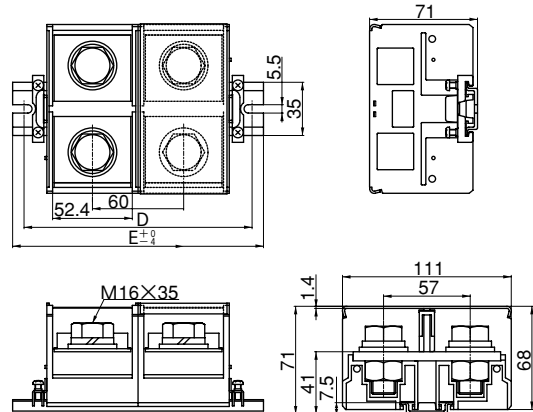
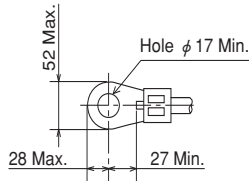
NOTICE

- Use the UL, CSA conforming crimp contacts for an application under the UL, CSA standards.
- Terminal block conduction wire is different depending on the usage conditions (type of wire, number of strands, ambient temperature, etc.)

TS/TSU-811R□P	Matching Wire	600A:325mm ²	Terminal Screws	M16/Hexagonal bolt	With cover /name tag	
----------------------	---------------	-------------------------	-----------------	--------------------	----------------------	--



• Applicable crimp terminal



Rated insulation voltage	600V
Connectable wire and conduction current by size	200mm ² —400A / 150mm ² —310A 325mm ² —600A
Matching Wire(AWG/MCM)	300~600
Recommended terminal screw tightening torque	14~35 N·m
Standard Conformity	JIS C 2811 Industrial Terminal Blocks

• The rail of rail-mounted finished products uses a U-cut rail as shown in the exterior view as AR-LH standards.
There are no rails with 15mm pitch holes. When you want assembly finished products with other rails, please specify the separate rail type.

● Accessories table (See 5-5~7.)

* Amount required is when name tag length is 900mm or less.

		Required* amount
Termination for rail TS-S811	1 piece for one polarity / Sales Unit:10 pcs / Weight (per pc):12.8g	1
Legend Tag (Flat) TS-M800F	Width x length:10mmX900mm / Thickness:0.5mm Sales Unit:10 pcs / Weight (per pc):6g	1
Legend Tag (Roll) TS-M800W	Width X Length:10mmX25m / Thickness:0.5mm Sales Unit:1 Roll / Weight:192g	—
LH type DIN rail AR-LH	Length:1m / Sales Unit:5 pcs / Weight (per pc):237g	1
FH type DIN rail AR-FH	Length:1m / Sales Unit:5 pcs / Weight (per pc):365g	
LK type rail AR-LK	Length:1m / Sales Unit:5 pcs / Weight (per pc):260g	
Terminal hardware for LH/FH type DIN rail MF-THE	Sales Unit:10pcs / Weight (per pc):11g	2
Terminal hardware for LK type DIN rail MF-LKB	Sales Unit:10pcs / Weight (per pc):4.7g	
Protective cap for LH type DIN rail AR-CLH	Sales Unit:10pcs / Weight (per pc):0.9g	Arbitrary
Protective cap for LK type DIN rail AR-CL	Sales Unit:10pcs / Weight (per pc):0.9g	

● “D、E” dimensions (dimension:mm)

Number of polarities	D	E ⁺⁰ ₋₄
2P	150	165
3P	210	225
4P	270	285
5P	330	345
6P	390	405
7P	450	465
8P	510	525
9P	570	585
10P	630	645

● TS-811R dimensions computation expression (units:mm)

Basic expression: $60 \times P + 26$ P: Number of polarities
D dimension (mounting dimension): Multiple of 15 larger than value obtained from basic expression
E dimension (total length of aluminum rail): $D + 15$

* This computational expression is up to 10P. For 11P and greater, please consult us separately.

Please see page 5-40 for the D and E dimensions computational expressions when multiple types (TS-801R+TS-802R, etc.) were assembled on one rail.

● TS-811R weight computational expression (units: g)

$627.6 \times P + 35$ P: Number of polarities

NOTICE

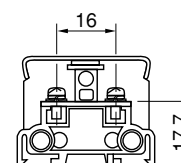
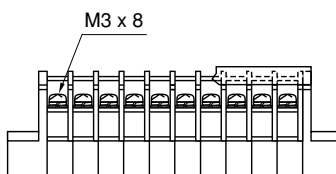
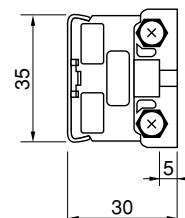
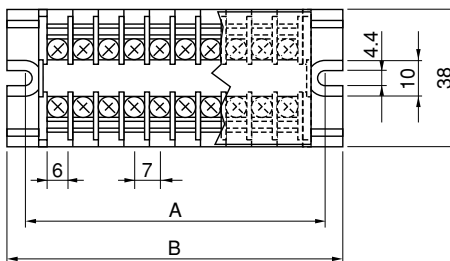
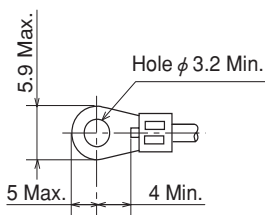
- Use the UL, CSA conforming crimp contacts for an application under the UL, CSA standards.
- Terminal block conduction wire is different depending on the usage conditions (type of wire, number of strands, ambient temperature, etc.)

TS/TSU-801B□P	Matching Wire	15A:1.25mm ²	Terminal Screws	M3/Self-up	With cover /name tag	
----------------------	---------------	-------------------------	-----------------	------------	----------------------	--

● TS-801B~811B are UL, CSA, and TÜV approved. TSU-801B~811B are only UL and CSA standards.



• Applicable crimp terminal



Rated insulation voltage	600V
Connectable wire and conduction current by size	0.75mm ² —10A/0.5mm ² —7A 1.25mm ² —15A
Matching Wire(AWG/MCM)	18~16
Recommended terminal screw tightening torque	0.5~0.9 N·m
Standard Conformity	JIS C 2811 Industrial Terminal Blocks

● “A, B” dimensions (dimension:mm) /Weight (dimension:g)

Number of polarities	A	B	Weight
2P	26	36	24.2
3P	33	43	30.8
4P	40	50	37.4
5P	47	57	44.0
6P	54	64	50.6
7P	61	71	57.2
8P	68	78	63.8
9P	75	85	70.4
10P	82	92	77.0
11P	89	99	83.6
12P	96	106	90.2
13P	103	113	96.8
14P	110	120	103.4
15P	117	127	110.0
16P	124	134	116.6

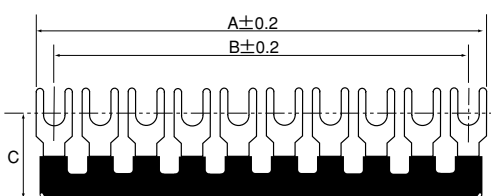
Number of polarities	A	B	Weight
17P	131	141	123.2
18P	138	148	129.8
19P	145	155	136.4
20P	152	162	143.0
21P	159	169	149.6
22P	166	176	156.2
23P	173	183	162.8
24P	180	190	169.4
25P	187	197	176.0
26P	194	204	182.6
27P	201	211	189.2
28P	208	218	195.8
29P	215	225	202.4
30P	222	232	209.0

● Accessories table (See 5-5~7.)

Termination for bolt TS-S801B	Thickness:11mm/Sales Unit:10 pcs/ Weight (per pc):3.8g				
Terminal Protection Cover TS-C801	Length:1m /Sales Unit:5 pcs/ Weight (per pc):58g				
Legend Tag (Flat) TS-M800F	Width x length:10mmX900mm/Thickness:0.5mm Sales Unit:10 pcs/ Weight (per pc):6g				
Legend Tag (Roll) TS-M800W	WidthX Length:10mmX25m/Thickness:0.5mm Sales Unit:1 Roll/Weight:192g				
Short-circuiting Bar J-801	Number of polarities	2P	3P	6P	10P
	A size	12.4	19.4	40.4	68.4
	B size	7	14	35	63
	C size	14.5			

▼ J-801

(dimension:mm)

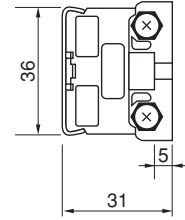
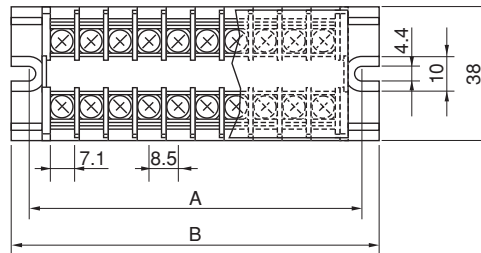


NOTICE

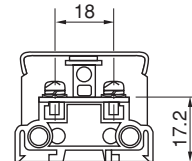
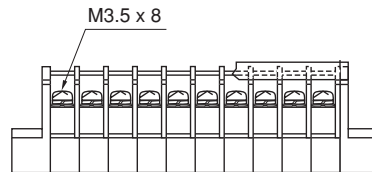
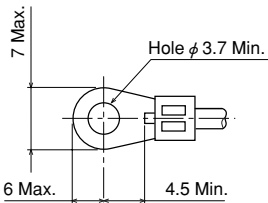
- Use the UL, CSA conforming crimp contacts for an application under the UL, CSA standards.
- Terminal block conduction wire is different depending on the usage conditions (type of wire, number of strands, ambient temperature, etc.)

TS/TSU-802B□P	Matching Wire	20A:2mm ²	Terminal Screws	M3.5/Self-up	With cover /name tag	  
----------------------	---------------	----------------------	-----------------	--------------	----------------------	---

● TS-801B~811B are UL, CSA, and TÜV approved. TSU-801B~811B are only UL and CSA standards.



• Applicable crimp terminal



Rated insulation voltage	600V
Connectable wire and conduction current by size	1.25mm ² —15A/0.75mm ² —10A 2mm ² —20A
Matching Wire(AWG/MCM)	18~14
Recommended terminal screw tightening torque	0.8~1.3 N·m
Standard Conformity	JIS C 2811 Industrial Terminal Blocks

● “A, B” dimensions (dimension:mm) /Weight (dimension:g)

Number of polarities	A	B	Weight
2P	29.0	39.0	29
3P	37.5	47.5	38
4P	46.0	56.0	47
5P	54.5	64.5	56
6P	63.0	73.0	65
7P	71.5	81.5	74
8P	80.0	90.0	83
9P	88.5	98.5	92
10P	97.0	107.0	101
11P	105.5	115.5	110
12P	114.0	124.0	119
13P	122.5	132.5	128
14P	131.0	141.0	137
15P	139.5	149.5	146
16P	148.0	158.0	155

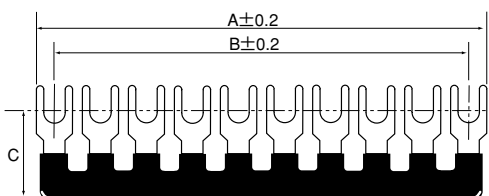
Number of polarities	A	B	Weight
17P	156.5	166.5	164
18P	165.0	175.0	173
19P	173.5	183.5	182
20P	182.0	192.0	191
21P	190.5	200.5	200
22P	199.0	209.0	209
23P	207.5	217.5	218
24P	216.0	226.0	227
25P	224.5	234.5	236
26P	233.0	243.0	245
27P	241.5	251.5	254
28P	250.0	260.0	263
29P	258.5	268.5	272
30P	267.0	277.0	281

● Accessories table (See 5-5~7.)

Termination for bolt TS-S802B	Thickness:11mm/Sales Unit:10 pcs/ Weight (per pc):3.8g				
Terminal Protection Cover TS-C802	Length:1m /Sales Unit:5 pcs/ Weight (per pc):58g				
Legend Tag (Flat) TS-M800F	Width x length:10mmX900mm/Thickness:0.5mm Sales Unit:10 pcs/ Weight (per pc):6g				
Legend Tag (Roll) TS-M800W	WidthX Length:10mmX25m/Thickness:0.5mm Sales Unit:1 Roll/Weight:192g				
Short-circuiting Bar J-802	Number of polarities	2P	3P	6P	10P
	A size	14.8	23.3	48.8	82.8
	B size	8.5	17	42.5	76.5
C size	14.1				

▼ J-802

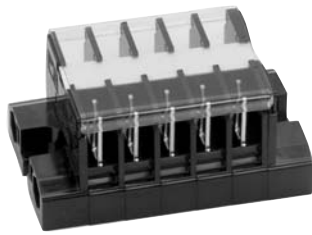
(dimension:mm)



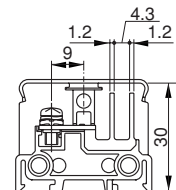
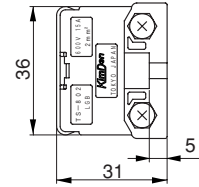
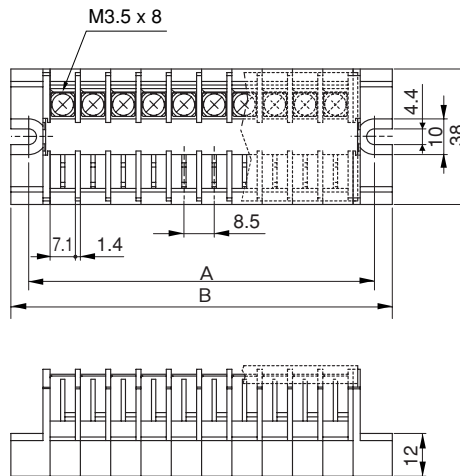
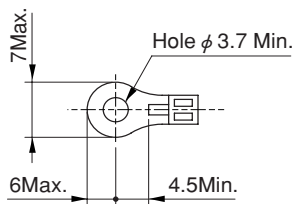
NOTICE

- Use the UL, CSA conforming crimp contacts for an application under the UL, CSA standards.
- Terminal block conduction wire is different depending on the usage conditions (type of wire, number of strands, ambient temperature, etc.)

TS-802LGB□P	Terminal screw side Wrapping side	15A:2mm ² 15A:φ0.8X2	Terminal Screws	M3.5/Self-up	With cover /name tag
--------------------	--------------------------------------	------------------------------------	--------------------	--------------	----------------------



• Applicable crimp terminal



Rated insulation voltage	600V
Connectable wire and conduction current by size	2mm ² — 15A / 1.25mm ² — 15A 0.75mm ² — 10A / 2mm ² — 15A (Terminal screw side) φ0.8X2mm ² — 15A (Wrapping side)
Recommended terminal screw tightening torque	0.8~1.3 N·m
Standard Conformity	JIS C 2811 Industrial Terminal Blocks

● “A, B” dimensions (dimension:mm) / Weight (dimension:g)

Number of polarities	A	B	Weight
2P	29.0	39.0	26.6
3P	37.5	47.5	34.4
4P	46.0	56.0	42.2
5P	54.5	64.5	50.0
6P	63.0	73.0	57.8
7P	71.5	81.5	65.6
8P	80.0	90.0	73.4
9P	88.5	98.5	81.2
10P	97.0	107.0	89.0
11P	105.5	115.5	96.8
12P	114.0	124.0	104.6
13P	122.5	132.5	112.4
14P	131.0	141.0	120.2
15P	139.5	149.5	128.0
16P	148.0	158.0	135.8

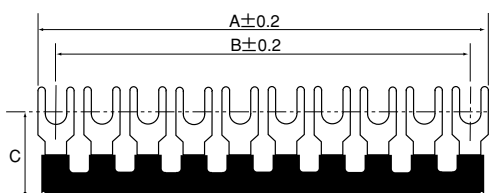
Number of polarities	A	B	Weight
17P	156.5	166.5	143.6
18P	165.0	175.0	151.4
19P	173.5	183.5	159.2
20P	182.0	192.0	167.0
21P	190.5	200.5	174.8
22P	199.0	209.0	182.6
23P	207.5	217.5	190.4
24P	216.0	226.0	198.2
25P	224.5	234.5	206.0
26P	233.0	243.0	213.8
27P	241.5	251.5	221.6
28P	250.0	260.0	229.4
29P	258.5	268.5	237.2
30P	267.0	277.0	245.0

● Accessories table (See 5-5~7.)

Termination for bolt	Thickness:12mm / Sales Unit:10 pcs / Weight (per pc):3.8g				
Terminal Protection Cover	Length:1m / Sales Unit:5 pcs / Weight (per pc):58g				
Legend Tag (Flat)	Width x length:10mmX900mm / Thickness:0.5mm				
TS-M800F	Sales Unit:10 pcs / Weight (per pc):6g				
Legend Tag (Roll)	Width X Length:10mmX25m / Thickness:0.5mm				
TS-M800W	Sales Unit:1 Roll / Weight:192g				
Short-circuiting Bar	Number of polarities	2P	3P	6P	10P
	A size	14.8	23.3	48.8	82.8
	B size	8.5	17	42.5	76.5
	C size	14.1			




▼ J-802

(dimension:mm)

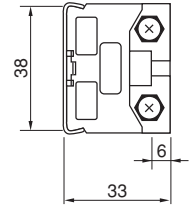
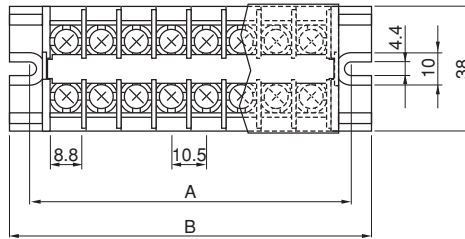


NOTICE

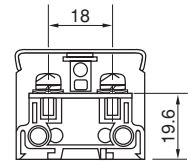
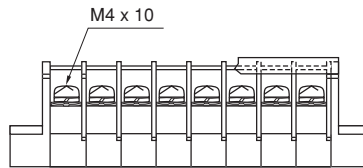
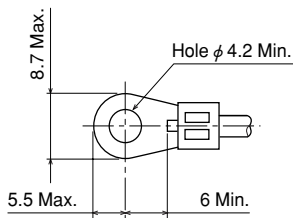
- Use the UL, CSA conforming crimp contacts for an application under the UL, CSA standards.
- Terminal block conduction wire is different depending on the usage conditions (type of wire, number of strands, ambient temperature, etc.)

TS/TSU-803B□P	Matching Wire	30A:3.5mm ²	Terminal Screws	M4/Self-up	With cover /name tag	  
----------------------	---------------	------------------------	-----------------	------------	----------------------	---

● TS-801B~811B are UL, CSA, and TÜV approved. TSU-801B~811B are only UL and CSA standards.



• Applicable crimp terminal



Rated insulation voltage	600V
Connectable wire and conduction current by size	2mm ² —20A / 1.25mm ² —15A 3.5mm ² —20A
Matching Wire(AWG/MCM)	18~12
Recommended terminal screw tightening torque	1.2~1.8 N·m
Standard Conformity	JIS C 2811 Industrial Terminal Blocks

● “A, B” dimensions (dimension:mm) /Weight (dimension:g)

Number of polarities	A	B	Weight
2P	33.0	45.0	39.6
3P	46.5	55.5	52.9
4P	54.0	66.0	66.2
5P	64.5	76.5	79.5
6P	75.0	87.0	92.8
7P	85.5	97.5	106.1
8P	96.0	108.0	119.4
9P	106.5	118.5	132.7
10P	117.0	129.0	146.0
11P	127.5	139.5	159.3
12P	138.0	150.0	172.6
13P	148.5	160.5	185.9
14P	159.0	171.0	199.2
15P	169.5	181.5	212.5
16P	180.0	192.0	225.8

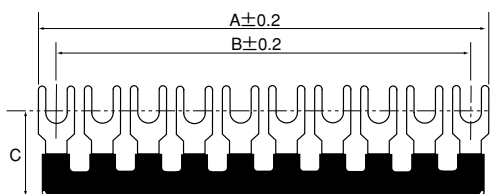
Number of polarities	A	B	Weight
17P	190.5	202.5	239.1
18P	201.0	213.0	252.4
19P	211.5	223.5	265.7
20P	222.0	234.0	279.0
21P	232.5	244.5	292.3
22P	243.0	255.0	305.6
23P	253.5	265.5	318.9
24P	264.0	276.0	332.2
25P	274.5	286.5	345.5
26P	285.0	297.0	358.8
27P	295.5	307.5	372.1
28P	306.0	318.0	385.4
29P	316.5	328.5	398.7
30P	327.0	339.0	412.0

● Accessories table (See 5-5~7.)

Termination for bolt TS-S803B	Thickness:12mm / Sales Unit:10 pcs / Weight (per pc):4.4g				
Terminal Protection Cover TS-C803	Length:1m / Sales Unit:5 pcs / Weight (per pc):60g				
Legend Tag (Flat) TS-M800F	Width x length:10mmX900mm / Thickness:0.5mm Sales Unit:10 pcs / Weight (per pc):6g				
Legend Tag (Roll) TS-M800W	Width X Length:10mmX25m / Thickness:0.5mm Sales Unit:1 Roll / Weight:192g				
Short-circuiting Bar J-803	Number of polarities	2P	3P	6P	10P
	A size	18.8	29.3	60.8	102.8
	B size	10.5	21	52.5	94.5
C size	16.5				




▼ J-803

(dimension:mm)

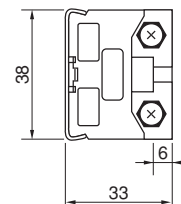
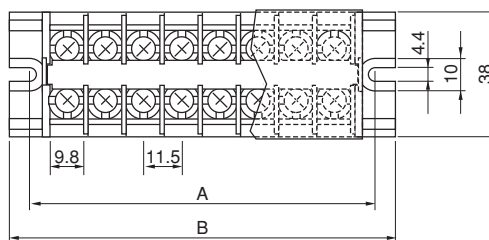
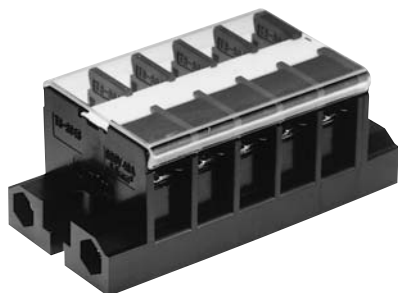


NOTICE

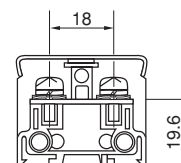
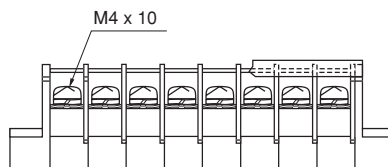
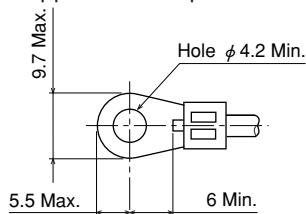
- Use the UL, CSA conforming crimp contacts for an application under the UL, CSA standards.
- Terminal block conduction wire is different depending on the usage conditions (type of wire, number of strands, ambient temperature, etc.)

TS/TSU-804B□P	Matching Wire	40A:5.5mm ²	Terminal Screws	M4/Self-up	With cover /name tag	  
----------------------	---------------	------------------------	-----------------	------------	----------------------	---

● TS-801B~811B are UL, CSA, and TÜV approved. TSU-801B~811B are only UL and CSA standards.



• Applicable crimp terminal



Rated insulation voltage	600V
Connectable wire and conduction current by size	3.5mm ² —30A/2mm ² —20A 5.5mm ² —40A
Matching Wire(AWG/MCM)	14~10
Recommended terminal screw tightening torque	1.2~1.8 N·m
Standard Conformity	JIS C 2811 Industrial Terminal Blocks

● “A, B” dimensions (dimension:mm) /Weight (dimension:g)

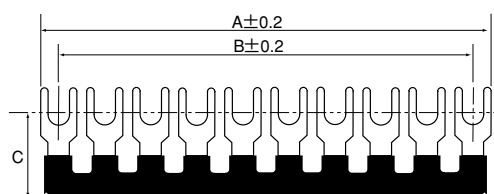
Number of polarities	A	B	Weight	Number of polarities	A	B	Weight
2P	35.0	47.0	41.6	17P	207.5	219.5	256.1
3P	46.5	58.5	55.9	18P	219.0	231.0	270.4
4P	58.0	70.0	70.2	19P	230.5	242.5	284.7
5P	69.5	81.5	84.5	20P	242.0	254.0	299.0
6P	81.0	93.0	98.8	21P	253.5	265.5	313.3
7P	92.5	104.5	113.1	22P	265.0	277.0	327.6
8P	104.0	116.0	127.4	23P	276.5	288.5	341.9
9P	115.5	127.5	141.7	24P	288.0	300.0	356.2
10P	127.0	139.0	156.0	25P	299.5	311.5	370.5
11P	138.5	150.5	170.3	26P	311.0	323.0	384.8
12P	150.0	162.0	184.6	27P	322.5	334.5	399.1
13P	161.5	173.5	198.9	28P	334.0	346.0	413.4
14P	173.0	185.0	213.2	29P	345.5	357.5	427.7
15P	184.5	196.5	227.5	30P	357.0	369.0	442.0
16P	196.0	208.0	241.8				

● Accessories table (See 5-5~7.)

Termination for bolt TS-S804B	Thickness:12mm /Sales Unit:10 pcs / Weight (per pc):4.6g				
Terminal Protection Cover TS-C804	Length:1m /Sales Unit:5 pcs / Weight (per pc):60g				
Legend Tag (Flat) TS-M800F	Width x length:10mm X 900mm /Thickness:0.5mm Sales Unit:10 pcs / Weight (per pc):6g				
Legend Tag (Roll) TS-M800W	Width X Length:10mm X 25m /Thickness:0.5mm Sales Unit:1 Roll /Weight:192g				
Short-circuiting Bar J-804	Number of polarities	2P	3P	6P	10P
	A size	20.5	32	66.5	112.5
	B size	11.5	23	57.5	103.5
	C size	16.5			

▼ J-804

(dimension:mm)

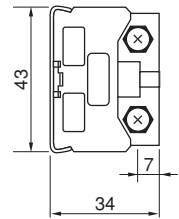
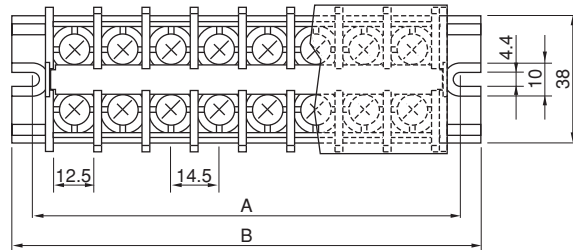
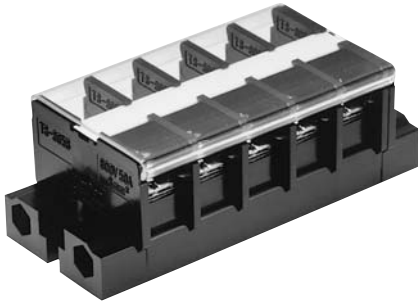


NOTICE

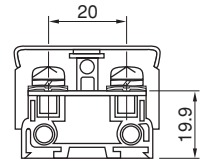
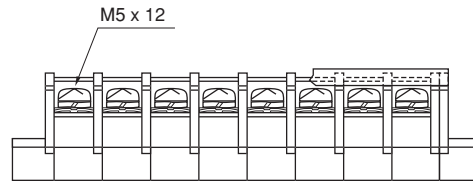
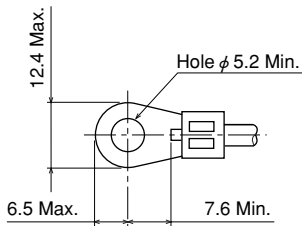
- Use the UL, CSA conforming crimp contacts for an application under the UL, CSA standards.
- Terminal block conduction wire is different depending on the usage conditions (type of wire, number of strands, ambient temperature, etc.)

TS/TSU-805B□P	Matching Wire	50A:2mm ²	Terminal Screws	M5/Self-up	With cover /name tag	
----------------------	---------------	----------------------	-----------------	------------	----------------------	--

● TS-801B~811B are UL, CSA, and TÜV approved. TSU-801B~811B are only UL and CSA standards.



• Applicable crimp terminal



Rated insulation voltage	600V
Connectable wire and conduction current by size	5.5mm ² —40A / 3.5mm ² —30A 8mm ² —50A
Matching Wire(AWG/MCM)	12~8
Recommended terminal screw tightening torque	2~3 N·m
Standard Conformity	JIS C 2811 Industrial Terminal Blocks

● “A, B” dimensions (dimension:mm) / Weight (dimension:g)

Number of polarities	A	B	Weight
2P	42.0	55.0	64.8
3P	56.5	69.5	89.7
4P	71.0	84.0	114.6
5P	85.5	98.5	139.5
6P	100.0	113.0	164.4
7P	114.5	127.5	189.3
8P	129.0	142.0	214.2
9P	143.5	156.5	239.1
10P	158.0	171.0	264.0
11P	172.5	185.5	288.9
12P	187.0	200.0	313.8
13P	201.5	214.5	338.7
14P	216.0	229.0	363.6
15P	230.5	243.5	388.5
16P	245.0	258.0	413.4
17P	259.5	272.5	438.3
18P	274.0	287.0	463.2
19P	288.5	301.5	488.1
20P	303.0	316.0	513.0

● Accessories table (See 5-5~7.)

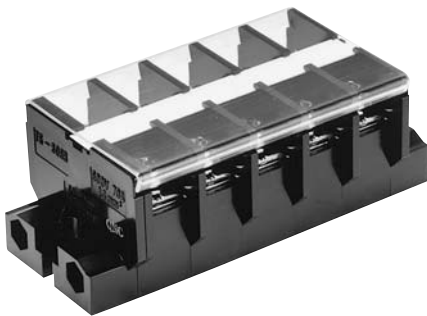
Termination for bolt TS-S805B	Thickness:13mm / Sales Unit:10 pcs / Weight (per pc):5.6g
Terminal Protection Cover TS-C805	Length:1m / Sales Unit:5 pcs / Weight (per pc):72g
Legend Tag (Flat) TS-M800F	Width x length:10mm X 900mm / Thickness:0.5mm Sales Unit:10 pcs / Weight (per pc):6g
Legend Tag (Roll) TS-M800W	Width X Length:10mm X 25m / Thickness:0.5mm Sales Unit:1 Roll / Weight:192g

NOTICE

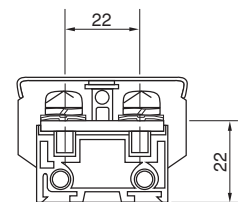
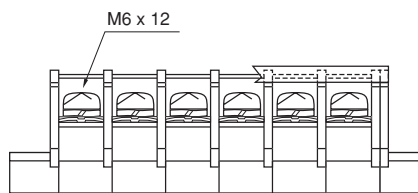
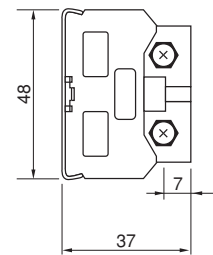
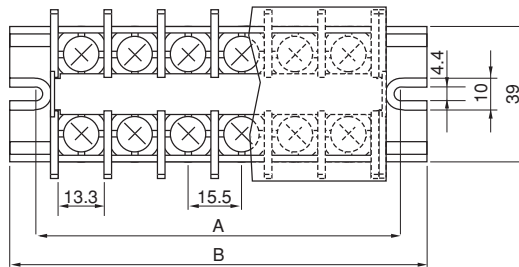
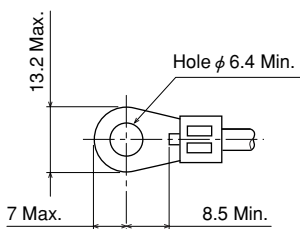
- Use the UL, CSA conforming crimp contacts for an application under the UL, CSA standards.
- Terminal block conduction wire is different depending on the usage conditions (type of wire, number of strands, ambient temperature, etc.)

TS/TSU-806 B□P	Matching Wire	70A:14mm ²	Terminal Screws	M6/Self-up	With cover /name tag	  
-----------------------	---------------	-----------------------	-----------------	------------	----------------------	---

● TS-801B~811B are UL, CSA, and TÜV approved. TSU-801B~811B are only UL and CSA standards.



• Applicable crimp terminal



Rated insulation voltage	600V
Connectable wire and conduction current by size	8mm ² —50A / 5.5mm ² —40A 14mm ² —70A
Matching Wire(AWG/MCM)	10~6
Recommended terminal screw tightening torque	2.5~4.0 N·m
Standard Conformity	JIS C 2811 Industrial Terminal Blocks

● “A, B” dimensions (dimension:mm) /Weight (dimension:g)

Number of polarities	A	B	Weight
2P	44.0	57.0	83.8
3P	59.5	72.5	117.7
4P	75.0	88.0	151.6
5P	90.5	103.5	185.5
6P	106.0	119.0	219.4
7P	121.5	134.5	253.3
8P	137.0	150.0	287.2
9P	152.5	165.5	321.1
10P	168.0	181.0	355.0
11P	183.5	196.5	388.9
12P	199.0	212.0	422.8
13P	214.5	227.5	456.7
14P	230.0	243.0	490.6
15P	245.5	258.5	524.5
16P	261.0	274.0	558.4
17P	276.5	289.5	592.3
18P	292.0	305.0	626.2
19P	307.5	320.5	660.1
20P	323.0	336.0	694.0

● Accessories table (See 5-5~7.)

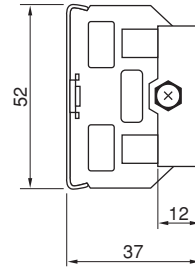
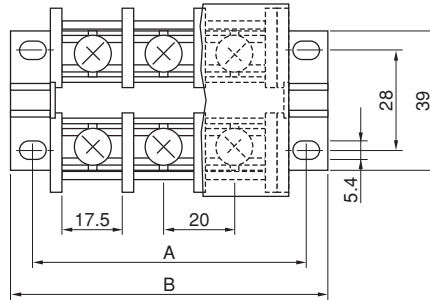
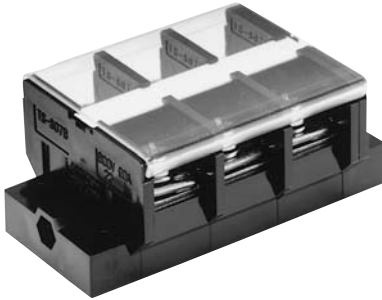
Termination for bolt TS-S806B	Thickness:13mm /Sales Unit:10 pcs / Weight (per pc):6.1g
Terminal Protection Cover TS-C806	Length:1m /Sales Unit:5 pcs / Weight (per pc):78g
Legend Tag (Flat) TS-M800F	Width x length:10mmX900mm /Thickness:0.5mm Sales Unit:10 pcs / Weight (per pc):6g
Legend Tag (Roll) TS-M800W	WidthX Length:10mmX25m /Thickness:0.5mm Sales Unit:1 Roll /Weight:192g

NOTICE

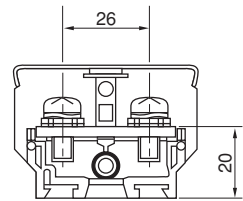
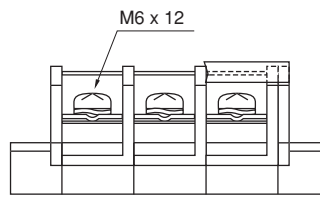
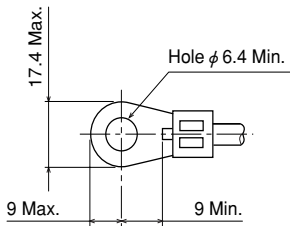
- Use the UL, CSA conforming crimp contacts for an application under the UL, CSA standards.
- Terminal block conduction wire is different depending on the usage conditions (type of wire, number of strands, ambient temperature, etc.)

TS/TSU-807B□P	Matching Wire	90A:22mm ²	Terminal Screws	M6/Self-up	With cover /name tag	  
----------------------	---------------	-----------------------	-----------------	------------	----------------------	---

● TS-801B~811B are UL, CSA, and TÜV approved. TSU-801B~811B are only UL and CSA standards.



• Applicable crimp terminal



Rated insulation voltage	600V
Connectable wire and conduction current by size	14mm ² —70A/8mm ² —50A 22mm ² —90A
Matching Wire(AWG/MCM)	8~4
Recommended terminal screw tightening torque	2.5~4.0 N·m
Standard Conformity	JIS C 2811 Industrial Terminal Blocks

● “A, B” dimensions (dimension:mm) /Weight (dimension:g)




Number of polarities	A	B	Weight
2P	56	68	102.8
3P	76	88	144.7
4P	96	180	186.6
5P	116	128	228.5
6P	136	148	270.4
7P	156	168	312.3
8P	176	188	354.2
9P	196	208	396.1
10P	216	228	438.0
11P	236	248	479.9
12P	256	268	521.8
13P	276	288	563.7
14P	296	308	605.6
15P	316	328	647.5
16P	336	348	689.4
17P	356	368	731.3
18P	376	388	773.2
19P	396	408	815.1
20P	416	428	857.0

● Accessories table (See 5-5~7.)

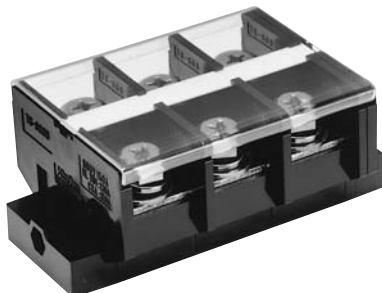
Termination for bolt TS-S807B	Thickness:14mm/Sales Unit:10 pcs/ Weight (per pc):8.1g
Terminal Protection Cover TS-C807	Length:1m /Sales Unit:5 pcs/ Weight (per pc):79g
Legend Tag (Flat) TS-M800F	Width x length:10mmX900mm/Thickness:0.5mm Sales Unit:10 pcs/ Weight (per pc):6g
Legend Tag (Roll) TS-M800W	WidthX Length:10mmX25m/Thickness:0.5mm Sales Unit:1 Roll/Weight:192g

NOTICE

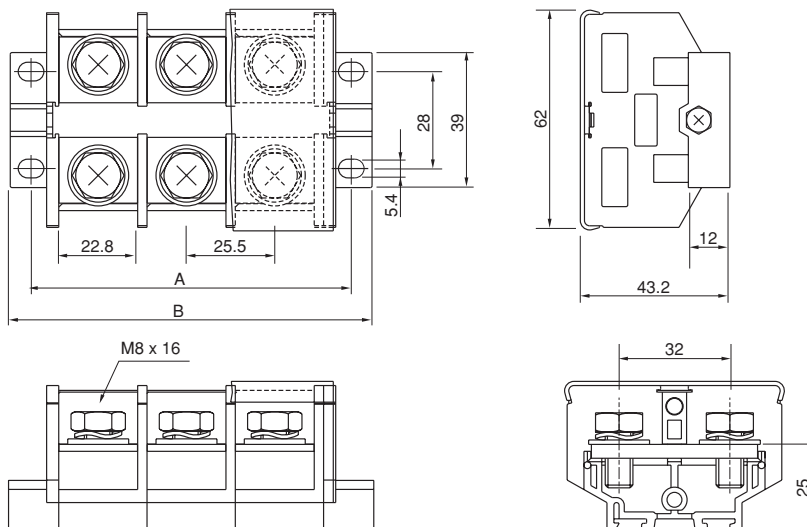
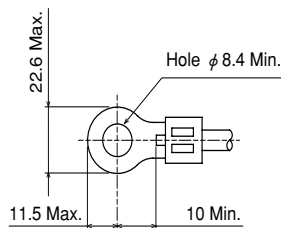
- Use the UL, CSA conforming crimp contacts for an application under the UL, CSA standards.
- Terminal block conduction wire is different depending on the usage conditions (type of wire, number of strands, ambient temperature, etc.)

TS/TSU-808B□P	Matching Wire	150A:38mm ²	Terminal Screws	M8/Hexagonal bolt with cross hole	With cover /name tag	  
----------------------	---------------	------------------------	-----------------	-----------------------------------	----------------------	---

● TS-801B~811B are UL, CSA, and TÜV approved. TSU-801B~811B are only UL and CSA standards.



• Applicable crimp terminal



Rated insulation voltage	600V
Connectable wire and conduction current by size	22mm ² —90A/14mm ² —70A 38mm ² —150A
Matching Wire(AWG/MCM)	6~2 (130A) 6~2/0 (150A)
Recommended terminal screw tightening torque	6~10 N·m
Standard Conformity	JIS C 2811 Industrial Terminal Blocks

● “A, B” dimensions (dimension:mm) /Weight (dimension:g)

Number of polarities	A	B	Weight
2P	67.0	79.0	190.4
3P	92.5	104.5	273.1
4P	118.0	130.0	355.8
5P	143.5	155.5	438.5
6P	169.0	181.0	521.2
7P	194.5	206.5	603.9
8P	220.0	232.0	686.6
9P	245.5	257.5	769.3
10P	271.0	283.0	852.0
11P	296.5	308.5	934.7
12P	322.0	334.0	1017.4
13P	347.5	359.5	1100.1
14P	373.0	385.0	1182.8

● Accessories table (See 5-5~7.)

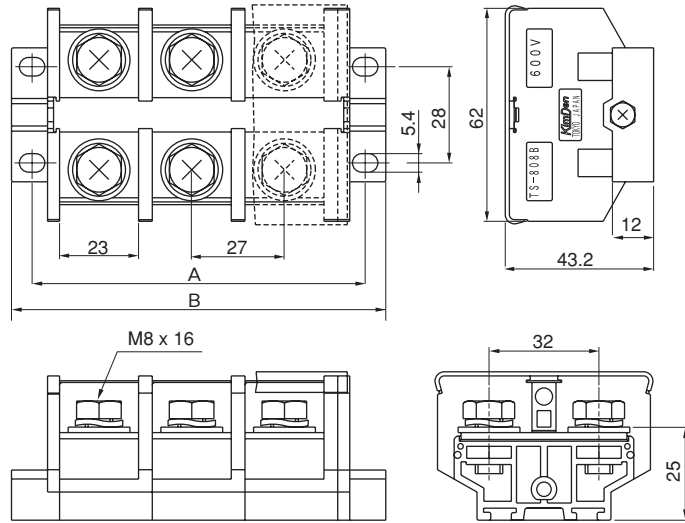
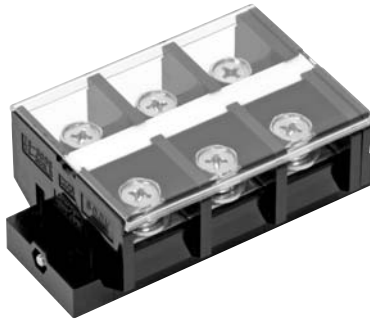
Termination for bolt TS-S808B	Thickness:14mm/Sales Unit:10 pcs/ Weight (per pc):11.0g
Terminal Protection Cover TS-C808	Length:1m /Sales Unit:5 pcs/ Weight (per pc):99g
Legend Tag (Flat) TS-M800F	Width x length:10mm×900mm/Thickness:0.5mm Sales Unit:10 pcs/ Weight (per pc):6g
Legend Tag (Roll) TS-M800W	Width× Length:10mm×25m/Thickness:0.5mm Sales Unit:1 Roll/Weight:192g

NOTICE

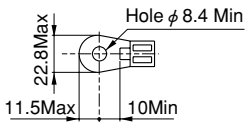
- Use the UL, CSA conforming crimp contacts for an application under the UL, CSA standards.
- Terminal block conduction wire is different depending on the usage conditions (type of wire, number of strands, ambient temperature, etc.)

TS/TSU-808LB□P	Matching Wire	175A:60mm ²	Terminal Screws	M8/ Hexagonal bolt with cross hole	With cover /name tag	UL	△	CS
-----------------------	---------------	------------------------	-----------------	------------------------------------	----------------------	----	---	----

● TS-801B~811B are UL, CSA, and TÜV approved. TSU-801B~811B are only UL and CSA standards.



• Applicable crimp terminal



Rated insulation voltage	600V
Connectable wire and conduction current by size	38mm ² —150A/22mm ² —90A 60mm ² —175A
Matching Wire(AWG/MCM)	4~2/0
Recommended terminal screw tightening torque	6~10 N·m
Standard Conformity	JIS C 2811 Industrial Terminal Blocks

● “A, B” dimensions (dimension:mm) /Weight (dimension:g)


Number of polarities	A	B	Weight
2P	70	82	176.5
3P	97	109	253.2
4P	124	136	329.9
5P	151	163	406.6
6P	178	190	483.3
7P	205	217	560.0
8P	232	244	636.7
9P	259	271	713.4
10P	286	298	790.1
11P	313	325	866.8
12P	340	352	943.5
13P	367	379	1020.2
14P	394	406	1096.9

● Accessories table (See 5-5~7.)

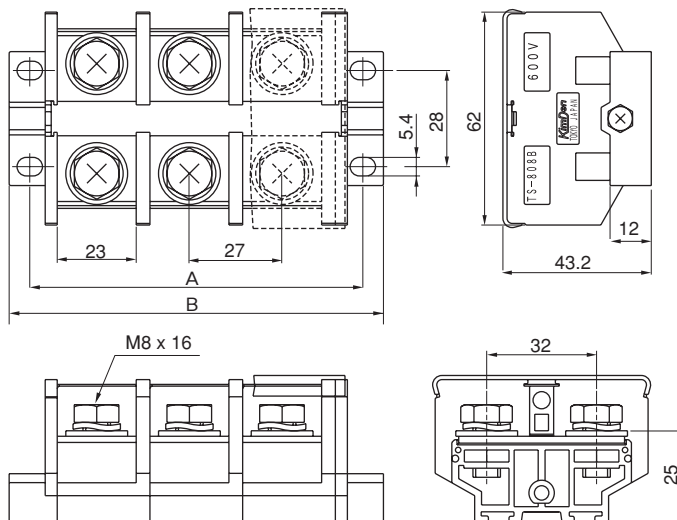
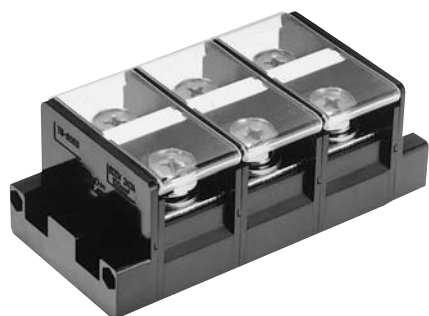
Termination for bolt	Thickness:14mm/Sales Unit:10 pcs/
TS-S808B	Weight (per pc):11.0g
Terminal Protection Cover	Length:1m /Sales Unit:5 pcs/
TS-C808	Weight (per pc):99g
Legend Tag (Flat)	Width x length:10mmX900mm/Thickness:0.5mm
TS-M800F	Sales Unit:10 pcs/ Weight (per pc):6g
Legend Tag (Roll)	WidthX Length:10mmX25m/Thickness:0.5mm
TS-M800W	Sales Unit:1 Roll/Weight:192g

NOTICE

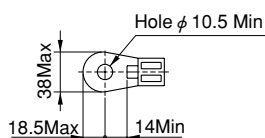
- Use the UL, CSA conforming crimp contacts for an application under the UL, CSA standards.
- Terminal block conduction wire is different depending on the usage conditions (type of wire, number of strands, ambient temperature, etc.)

TS/TSU-809B□P	Matching Wire	240A:100mm ²	Terminal Screws	M10/Hexagonal bolt with cross hole	With cover /name tag	
----------------------	---------------	-------------------------	-----------------	------------------------------------	----------------------	---

● TS-801B~811B are UL, CSA, and TÜV approved. TSU-801B~811B are only UL and CSA standards.



• Applicable crimp terminal



Rated insulation voltage	600V
Connectable wire and conduction current by size	38mm ² —130A/22mm ² —90A 100mm ² —240A
Matching Wire(AWG/MCM)	4~4/0
Recommended terminal screw tightening torque	10~20 N·m
Standard Conformity	JIS C 2811 Industrial Terminal Blocks

● “A, B” dimensions (dimension:mm) /Weight (dimension:g)

Number of polarities	A	B	Weight
2P	92	106	375.8
3P	128	142	545.7
4P	164	178	715.6
5P	200	214	885.5
6P	236	250	1055.4
7P	272	286	1225.3
8P	308	322	1395.2
9P	344	358	1565.1
10P	380	394	1735.0

● Accessories table (See 5-5~7.)

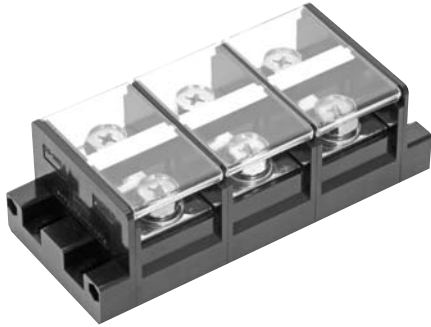
Termination for bolt TS-S809B	Thickness:17mm/Sales Unit:10 pcs/ Weight (per pc):16.6g
Terminal Protection Cover TS-C809	1 piece for one polarity /Sales Unit:10 pcs/ Weight (per pc):3.7g
Legend Tag (Flat) TS-M800F	Width x length:10mmX900mm/Thickness:0.5mm Sales Unit:10 pcs/ Weight (per pc):6g
Legend Tag (Roll) TS-M800W	WidthX Length:10mmX25m/Thickness:0.5mm Sales Unit:1 Roll/Weight:192g

NOTICE

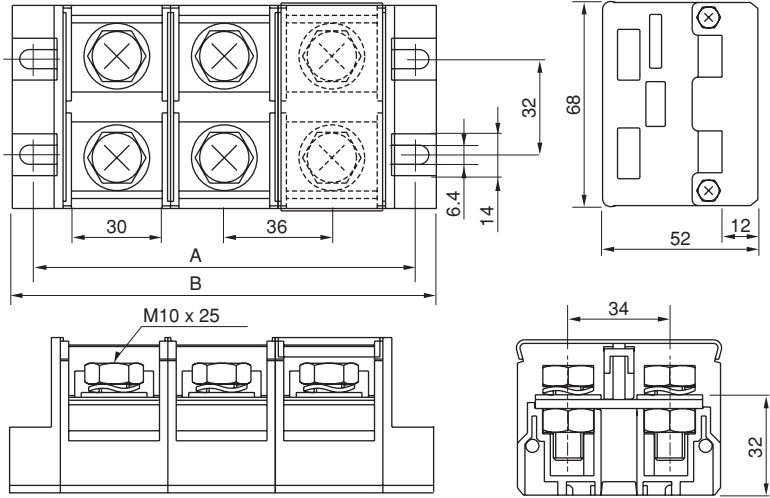
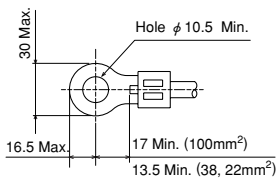
- Use the UL, CSA conforming crimp contacts for an application under the UL, CSA standards.
- Terminal block conduction wire is different depending on the usage conditions (type of wire, number of strands, ambient temperature, etc.)

TS/TSU-809LB□P	Matching Wire	310A:150mm ²	Terminal Screws	M10/ Hexagonal bolt with cross hole	With cover /name tag	  
-----------------------	---------------	-------------------------	-----------------	-------------------------------------	----------------------	---

● TS-801B~811B are UL, CSA, and TÜV approved. TSU-801B~811B are only UL and CSA standards.



• Applicable crimp terminal



Rated insulation voltage	600V
Connectable wire and conduction current by size	100mm ² -240A / 60mm ² -175A 150mm ² -310A
Matching Wire(AWG/MCM)	2/0~300
Recommended terminal screw tightening torque	10~20 N·m
Standard Conformity	JIS C 2811 Industrial Terminal Blocks

● “A, B” dimensions (dimension:mm) / Weight (dimension:g)

Number of polarities	A	B	Weight
2P	108	122	432.8
3P	152	166	630.0
4P	196	210	827.2
5P	240	254	1024.4
6P	284	298	1221.6
7P	328	342	1418.8
8P	372	386	1616.0
9P	416	430	1813.2
10P	460	474	2010.4

● Accessories table (See 5-5~7.)

Termination for bolt	Thickness:17mm / Sales Unit:10 pcs / Weight (per pc):18.5g
Terminal Protection Cover	1 piece for one polarity / Sales Unit:10 pcs / Weight (per pc):5.8g
Legend Tag (Flat)	Width x length:10mmX900mm / Thickness:0.5mm Sales Unit:10 pcs / Weight (per pc):6g
Legend Tag (Roll)	Width X Length:10mmX25m / Thickness:0.5mm Sales Unit:1 Roll / Weight:192g

NOTICE

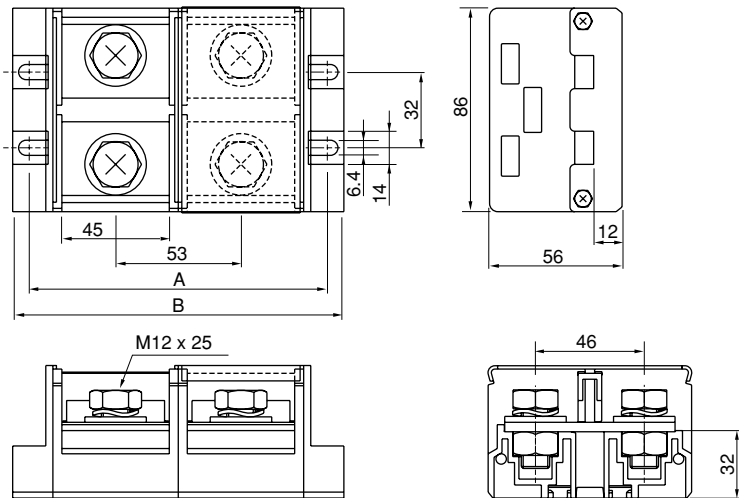
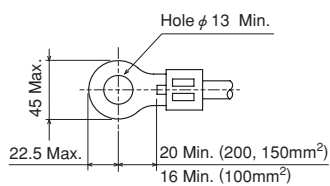
- Use the UL, CSA conforming crimp contacts for an application under the UL, CSA standards.
- Terminal block conduction wire is different depending on the usage conditions (type of wire, number of strands, ambient temperature, etc.)

TS/TSU-810B□P	Matching Wire	400A:200mm ²	Terminal Screws	M12/ Hexagonal bolt with cross hole	With cover /name tag	  
----------------------	---------------	-------------------------	-----------------	-------------------------------------	----------------------	---

● TS-801B~811B are UL, CSA, and TÜV approved. TSU-801B~811B are only UL and CSA standards.



• Applicable crimp terminal



Rated insulation voltage	600V
Connectable wire and conduction current by size	150mm ² - 310A / 100mm ² - 240A 200mm ² - 400A
Matching Wire(AWG/MCM)	4/0 ~ 400 UL, TÜV:300A CSA:400A
Recommended terminal screw tightening torque	14~35 N·m
Standard Conformity	JIS C 2811 Industrial Terminal Blocks

● “A, B” dimensions (dimension:mm) / Weight (dimension:g)

Number of polarities	A	B	Weight
2P	126	140	685.8
3P	179	193	1005.7
4P	232	246	1325.6
5P	285	299	1645.5
6P	338	352	1965.4

● Accessories table (See 5-5~7.)

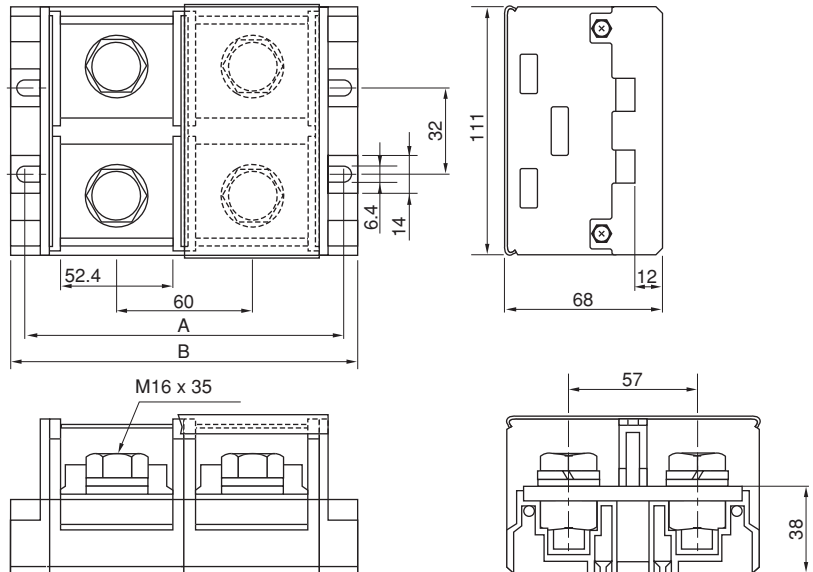
Termination for bolt TS-S8010B	Thickness:17mm / Sales Unit:10 pcs / Weight (per pc):21.7g
Terminal Protection Cover TS-C810	1 piece for one polarity / Sales Unit:10 pcs / Weight (per pc):7.5g
Legend Tag (Flat) TS-M800F	Width x length:10mmX900mm / Thickness:0.5mm Sales Unit:10 pcs / Weight (per pc):6g
Legend Tag (Roll) TS-M800W	Width X Length:10mmX25m / Thickness:0.5mm Sales Unit:1 Roll / Weight:192g

NOTICE

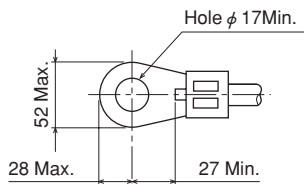
- Use the UL, CSA conforming crimp contacts for an application under the UL, CSA standards.
- Terminal block conduction wire is different depending on the usage conditions (type of wire, number of strands, ambient temperature, etc.)

TS/TSU-811B□P	Matching Wire 600A:325mm ²	Terminal Screws M16/ Hexagonal bolt	With cover /name tag	  
----------------------	---	---------------------------------------	----------------------	---

● TS-801B~811B are UL, CSA, and TÜV approved. TSU-801B~811B are only UL and CSA standards.



• Applicable crimp terminal



Rated insulation voltage	600V
Connectable wire and conduction current by size	200mm ² —400A / 150mm ² —310A 325mm ² —600A
Matching Wire(AWG/MCM)	300 ~600 UL, TÜV:520A CSA:600A
Recommended terminal screw tightening torque	25~40 N·m
Standard Conformity	JIS C 2811 Industrial Terminal Blocks

● “A、B”dimensions (dimension:mm) /Weight (dimension:g)

Number of polarities	A	B	Weight
2P	140	154	1321.4
3P	200	214	1945.6
4P	260	274	2569.8
5P	320	334	3194.0
6P	380	394	3818.2

● Accessories table (See 5-5~7.)

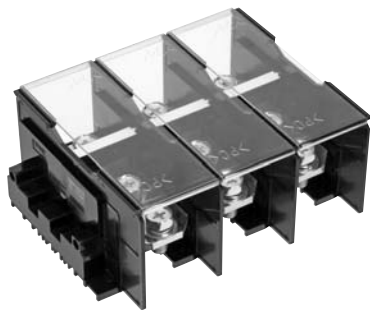
Termination for bolt TS-S811B	Thickness:17mm / Sales Unit:10 pcs / Weight (per pc):34.9g
Terminal Protection Cover TS-C811	1 piece for one polarity / Sales Unit:10 pcs / Weight (per pc):12.8g
Legend Tag (Flat) TS-M800F	Width x length:10mmX900mm / Thickness:0.5mm Sales Unit:10 pcs / Weight (per pc):6g
Legend Tag (Roll) TS-M800W	WidthX Length:10mmX25m / Thickness:0.5mm Sales Unit:1 Roll / Weight:192g

NOTICE

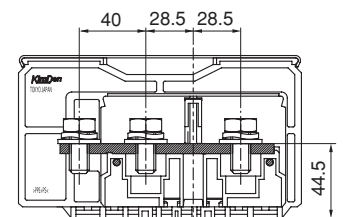
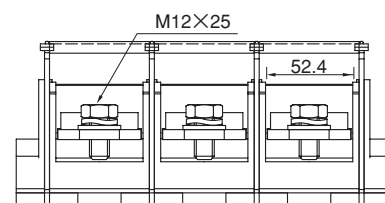
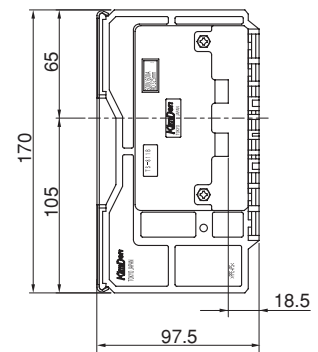
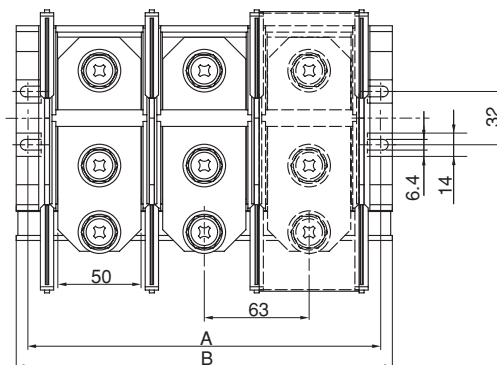
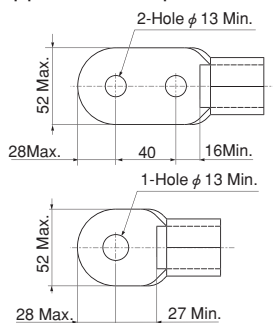
- Use the UL, CSA conforming crimp contacts for an application under the UL, CSA standards.
- Terminal block conduction wire is different depending on the usage conditions (type of wire, number of strands, ambient temperature, etc.)

TS-811BRD□P	Matching Wire	600A:325mm ²	Terminal Screws	M12/Hexagonal bolt with cross hole	With cover /name tag
--------------------	---------------	-------------------------	-----------------	------------------------------------	----------------------

● This product are sold as bolt assembly finished product only; there is no rail-mounted finished product.



• Applicable crimp terminal



Rated insulation voltage	600V
Connectable wire and conduction current by size	200mm ² —400A / 150mm ² —310A 100mm ² —200A / 325mm ² —600A
Recommended terminal screw tightening torque	14~35 N·m
Standard Conformity	JIS C 2811 Industrial Terminal Blocks

● “A, B” dimensions (dimension:mm) / Weight (dimension:g)

Number of polarities	A	B	Weight
2P	149	169	1415
3P	212	226	2056
4P	275	289	2697

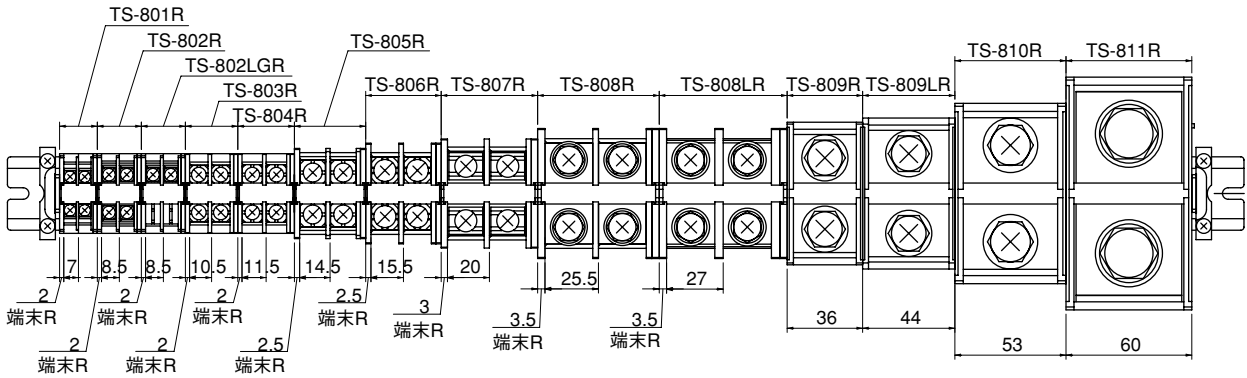
● Accessories table (See 5-5~7.)

Terminal Protection Cover TS-C811RD	1 piece for one polarity / Sales Unit:10 pcs / Weight (per pc):21g
Legend Tag (Flat) TS-M800F	Width x length:10mm×900mm / Thickness:0.5mm Sales Unit:10 pcs / Weight (per pc):6g
Legend Tag (Roll) TS-M800W	Width× Length:10mm×25m / Thickness:0.5mm Sales Unit:1 Roll / Weight:192g

NOTICE

- Use the UL, CSA conforming crimp contacts for an application under the UL, CSA standards.
- Terminal block conduction wire is different depending on the usage conditions (type of wire, number of strands, ambient temperature, etc.)

● Example of assembly (Rail-mounted type)



● Rail-mounted finished product dimensions computational expression

- Mounting dimension (D) is an integral multiple of 15mm.

$$D \geq (\text{length of one terminal block pole} \times \text{number of poles}) + (\text{length of terminating TS-S} \times 2) + (\text{terminal block stacking error}) \times 1 + (\text{surplus length of terminating hardware}) \times 2$$

*1:1mm per 10 poles *2:26mm

- Computation example: Computing the TS-802R15P+TS-804R3P+TS-806R3P aluminum rail total length.

$$(8.5 \times 15 + 2 \times 2) + (11.5 \times 3 + 2 \times 2) + (15.5 \times 3 + 2.5 \times 2) + 2 + 26 = 249.5$$

$$249.5 \div 15 = 16.6 \text{ Rounded off at least significant digit}$$

$$17 \times 15 \text{mm} = 255 \text{mm (D dimension)}$$

- Total length of aluminum rail (E) $E = D + 15 \text{mm}$

*The total length of the AR-LH aluminum rail is 1000mm.

● Weight of rail-mounted unit

P: Number of polarities (dimension unit: g)

Model	TS-801R	TS-802R	TS-802LGR	TS-803R	TS-804R	TS-805R
Weight	$7.0 \times P + 41$	$9.5 \times P + 42$	$8.3 \times P + 42$	$13.9 \times P + 43$	$15.0 \times P + 43$	$25.8 \times P + 45$

Model	TS-806R	TS-807R	TS-808R	TS-808LR	TS-809R	TS-809LR
Weight	$34.8 \times P + 46$	$44.6 \times P + 48$	$86.1 \times P + 54$	$79.4 \times P + 54$	$172 \times P + 35$	$198.1 \times P + 35$

Model	TS-810R	TS-811R
Weight	$322.9 \times P + 36$	$627.6 \times P + 35$

● Weight of bolt-mounted unit

P: Number of polarities (dimension unit: g)

Model	TS-801B	TS-802B	TS-802LGB	TS-803B	TS-804B	TS-805B
Weight	$6.6 \times P + 11$	$9.0 \times P + 11$	$7.8 \times P + 11$	$13.3 \times P + 13$	$14.3 \times P + 13$	$24.9 \times P + 15$

Model	TS-806B	TS-807B	TS-808B	TS-808LB	TS-809B	TS-809LB
Weight	$33.9 \times P + 16$	$41.9 \times P + 19$	$82.7 \times P + 25$	$76.7 \times P + 23.1$	$169.9 \times P + 36$	$197.2 \times P + 38.4$

Model	TS-810B	TS-811B	TS-811BRD
Weight	$319.9 \times P + 46$	$624.2 \times P + 73$	$641 \times P + 133$