

Product Datasheet
PA Series
Sub-miniature pushbutton switch



Package Contain:

1 x Nut

1 x Locking Washer

1 x Splash Proof O-ring





Specification:

SWITCH TYPE:	PUSHBUTTON	
POLES/THROWS:	SPST	
SWITCH FUNCTIONS:	OFF-ON	
ELECTRICAL CHARACTERISTICS	CONTACT RATING:	100mA,24 VDC
	ELECTRICAL LIFE:	200,000 make-and-break cycles at full load
	CONTACT RESISTANCE:	50m-ohms max. initial @ 2-4VDC, 100mA
	INSULATION RESISTANCE:	Apply 500VDC for 1min±5sec. After which measurement to be made b/w terminals shall result 1000M-ohms min.
	DIELECTRICAL STRENGTH:	1,000VAC (50Hz-60Hz) RMS @ sea level shall result no damage to parts arcing or flashover.
	OPERATING TEMPERATURE:	-30Celsius degree to +85Celsius degree
RELIABILITY PERFORMANCE	MECHANICAL LIFE:	Without load, 1,000,000 cycles min
	OPERATING FORCE:	2N~5N max
	TORQUE	0.5 Nm max. (applied to nut.)
	IP PROTECTION CLASS:	IP67(Upper side : Protected against the effects of temporary immersion in water.)

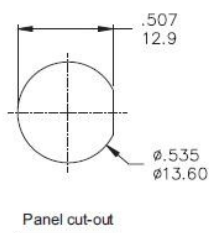
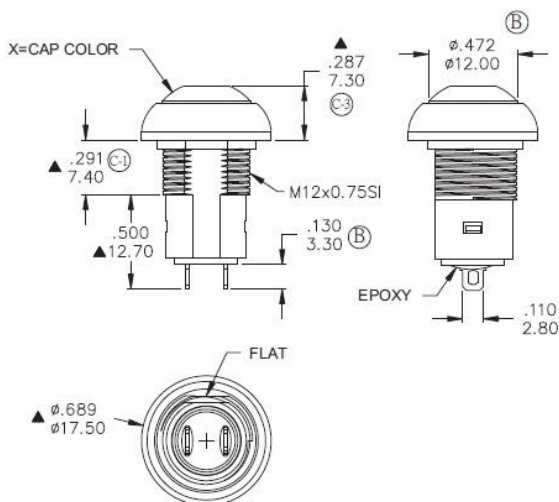
	SOLDERING HEAT RESISTANCE:	Max soldering temperature @ 260±5Celsius degree, immersion time 5±1sec
	COLD TEST:	Stored at temperature -30(+/-3)Celsius degree for 96 hours, shall result no changes to switch's electrical performance
	HOT TEST:	Stored at temperature +85(+/-3)Celsius degree for 96 hours, shall result no changes to switch's electrical performance
	HUMIDITY TEST:	Stored at temperature 40(+/-2)Celsius degree with relative humidity 90%~95% for 96 hours, shall result no changes to switch's electrical performance
MATERIAL CHARACTERISTICS	CASE	Glass filled Nylon 6/6
	CAP 、 BUSHING	Polyamide 6/6
	CONTACT 、 TERMINAL	Gold over silver plated
SOLDERING & CLEANING RECOMMENDATION	HAND SOLDERING:	Max. temperature @ 350Celsius degree with continuous soldering time @ 5sec max
	CLEANING PROCESS:	Noted, the switch is “not totally sealed” so it is important not to immerse/spray or clean unsealed areas of the switch during flux removal. Improper cleaning could cause switch deficiencies such as intermittence or open contact failures
PACKAGE	INTERNAL PACKAGING:	25pcs per tray
	RoHS IDENTIFICATIONS:	A label marking “RoHS compliant” will be attached to the carton box

WITH LED ELECTRO-OPTICAL CHARACTERISTICS:

PAL6	Water Clear	White		3.3	4	250	50	X=0.31 Y=0.31	90°
		Super Red		1.95	2.5	350	70	635	
		Super Yellow		2	2.5	160	70	590	
		Super Green		2.1	2.5	70	18	570	
		Super Blue		3.3	4	150	36	470	
		Super Yellow (Super Green)	Y	2	2.5	170	50	590	170°
			G	2.1	2.5	50	18	570	
		Super Yellow (Super Red)	Y	1.95	2.5	220	70	630	
			R	2	2.5	170	50	590	
		Super Red (Super Green)	R	1.95	2.5	220	70	630	
	G	2.1	2.5	50	18	570			

RS P/N

820-7543	Off-on, thread bushing, solder lug, red cap
820-7549	Off-on, thread bushing, solder lug, black cap
820-7552	Off-on, thread bushing, solder lug, green cap
820-7555	Off-in, thread bushing, solder lug, blue cap, white LED



Model No.	POS.1	POS.2
Term. Comm.	OFF	ON
SCHEMATIC	OPEN	

SWITCH FUNCTION

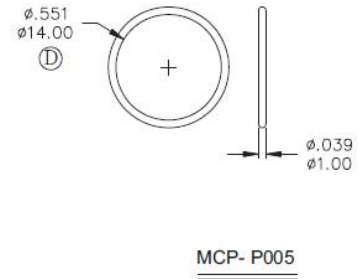
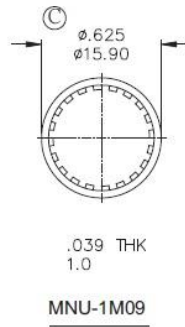
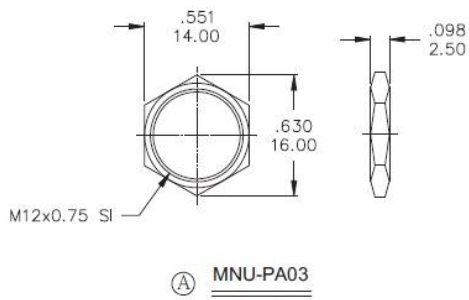
PART NO.	PART NAME	QTY
1 MNU- PA03	M12 X 0.75 NUTS	1
2 MNU-1M09	LOCKING WASHER	1
3 MCP-P005	SPLASH PROOF O-RING	1

FILE NAME:HARDWARE-0012

CESX-5

X=CAP COLOR

1	White
2	Black
3	Red
4	Orange
5	Yellow
6	Green
7	Blue
8	Brown
9	Gray



PART NO.	PART NAME	Q'TY	
1	MNU-PA03	M12 X 0.75 NUTS	1
2	MNU-1M09	LOCKING WASHER	1
3	MCP-P005	SPLASH PROOF O-RING	1