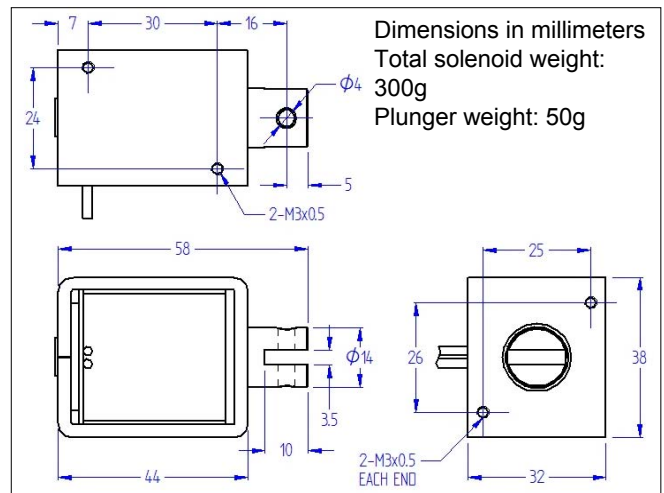


Datasheet

RS Article: 177 - 0129

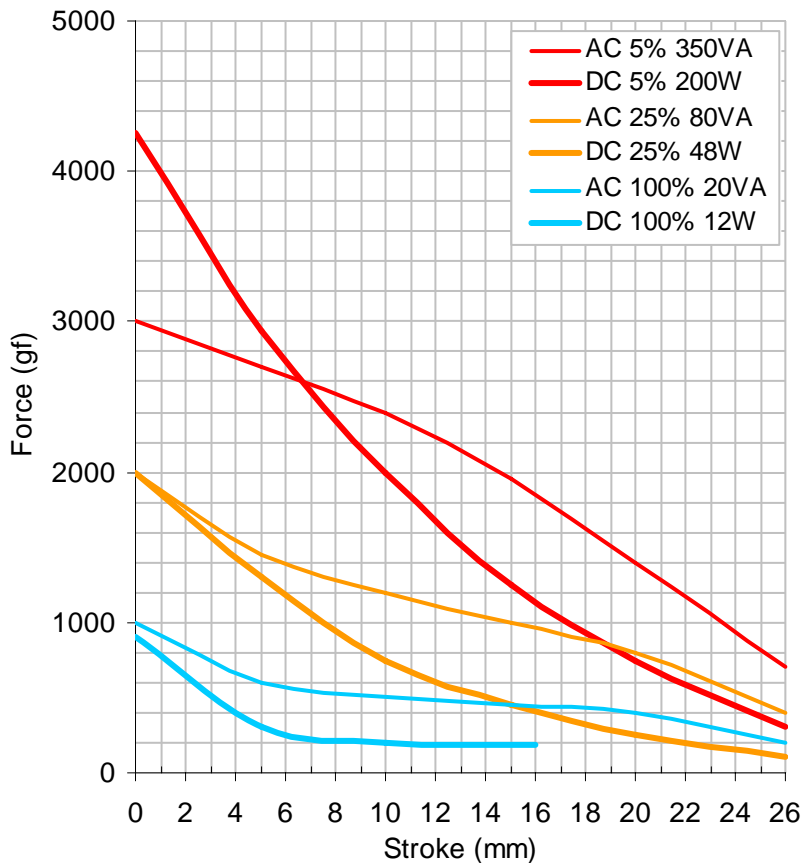
DC – D Frame Solenoid 24V



Specifications:

Features:

Force/Stroke Characteristics



- Pull type
- Flying leads
- Corrosion resistant plated parts