

## FEATURES

- Nylon Polyamide 6
- Zinc plated steel male studs and brass female/through threads
- Matte black finish
- Working temperature range of -30°C to +85°C
- Melting point of +215°C
- Tolerant of weak acids, with excellent resistance to chlorinated hydrocarbons

## RS PRO Black Wing Clamping Knob, M8

RS Stock No.: 478-440



RS Professionally Approved Products bring to you professional quality parts across all product categories. Our product range has been tested by engineers and provides a comparable quality to the leading brands without paying a premium price.

### Product Description

Knobs are used in a wide variety of applications in our day-to-day lives and perform many functions, from being used as fixed handles to being used to tighten, loosen, adjust, clamp and push other components or pieces of equipment. They are used in various applications, from industrial and construction machinery to audio and visual equipment.

Female knobs: M5 (RS [478838](#)), M6 (RS [478787](#)), M8 (RS [478810](#)), M10 (RS [478478](#)).

Male knobs: M5 (RS [478466](#)), M5 (RS [478488](#)), M6 (RS [478434](#)), M6 (RS [478444](#)), M6 (RS [478484](#)), M8 (RS [478440](#)), M8 (RS [478472](#)), M8 (RS [478545](#)).

### General Specifications

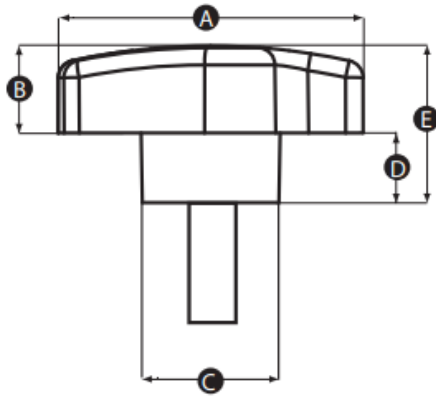
<b>Thread</b>	M8
<b>Knob Shape</b>	Wing
<b>Mounting Type</b>	Threaded Stud
<b>Body Material</b>	High impact resistant thermoplastic
<b>Insert Material</b>	Steel
<b>Colour</b>	Black
<b>Finish</b>	matt
<b>Application</b>	Adjustable tripods, Audio and visual equipment, Adjustable/temporary furniture

### Mechanical Specifications

<b>Thread Diameter</b>	8mm
<b>Thread Length</b>	15mm
<b>Knob Diameter</b>	35mm
<b>Hole Diameter</b>	16mm
<b>Hole Length</b>	18mm

### Approvals

<b>Compliance/Certifications</b>	EN61340
----------------------------------	---------



Part No.	A	B	C	D	E	Thread size	Thread length (mm)
478466	35	10	16	8	18	M5	15
478488	35	10	16	8	18	M5	20
478434	35	10	16	8	18	M6	15
478444	35	10	16	8	18	M6	20
478484	35	10	16	8	18	M6	30
478440	35	10	16	8	18	M8	15
478472	45	13	20	11	24	M8	20
478545	45	13	20	11	24	M8	30