

Datasheet

Single sided pin (Type 10)

RS Stock number 438-5866

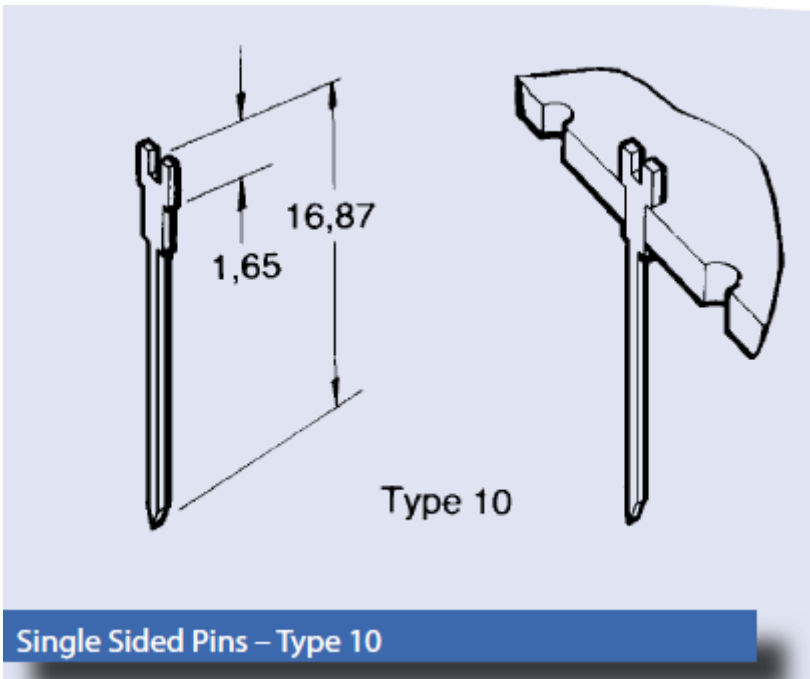


Description

For use with plain or copper-clad boards. These pins have the facility for soldering discrete components one side and wire wrapping the other.
 Post size: 0.68 mm x 0.64 mm, diagonal 0.94 mm

Single Sided Pin

Type	Compatible hole Ø pierced/drilled
10	1.02 +/- 0.025



Single Sided Pins – Type 10